

REVISIONS

P	LTR	DESCRIPTION	DATE	DWN	APVD
A		INITIAL RELEASE	12JUN2018	T.F	C.W
A1		ECR-18-018373	26NOV2018	T.F	C.W
B		ECR-19-009136	02AUG2019	C.D	C.W

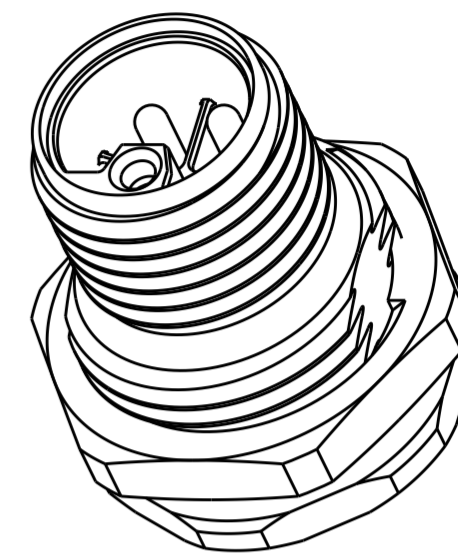
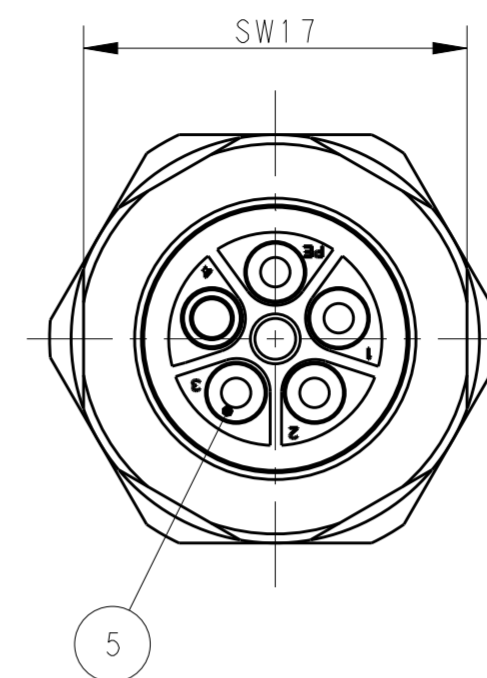
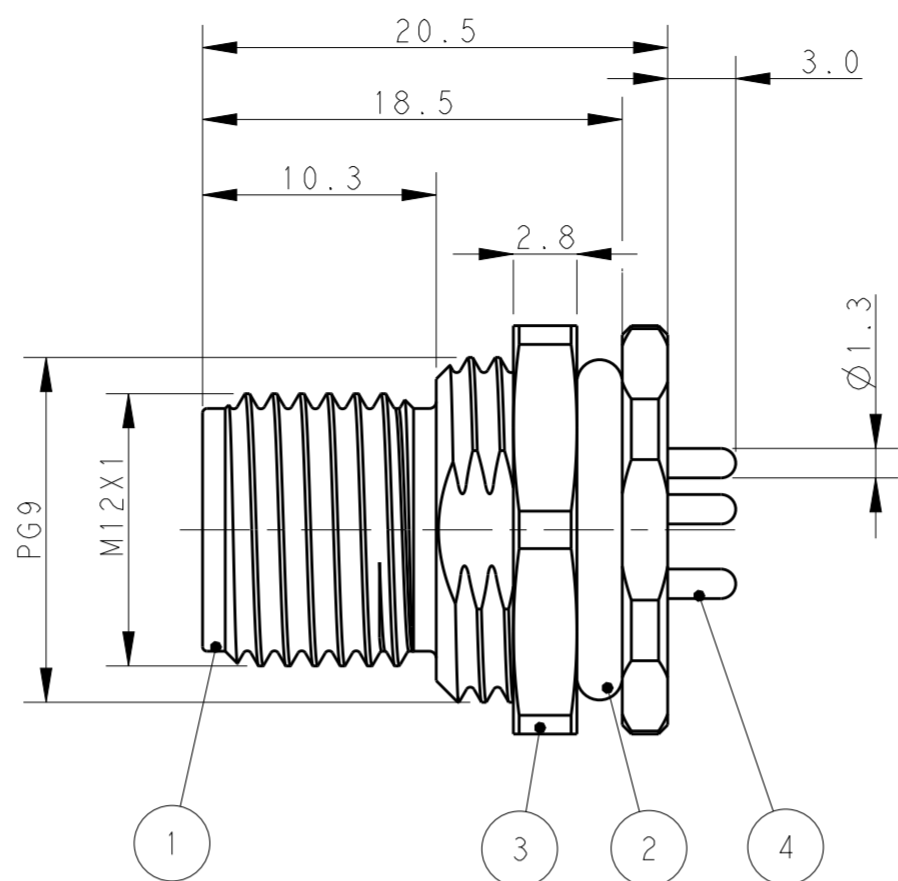
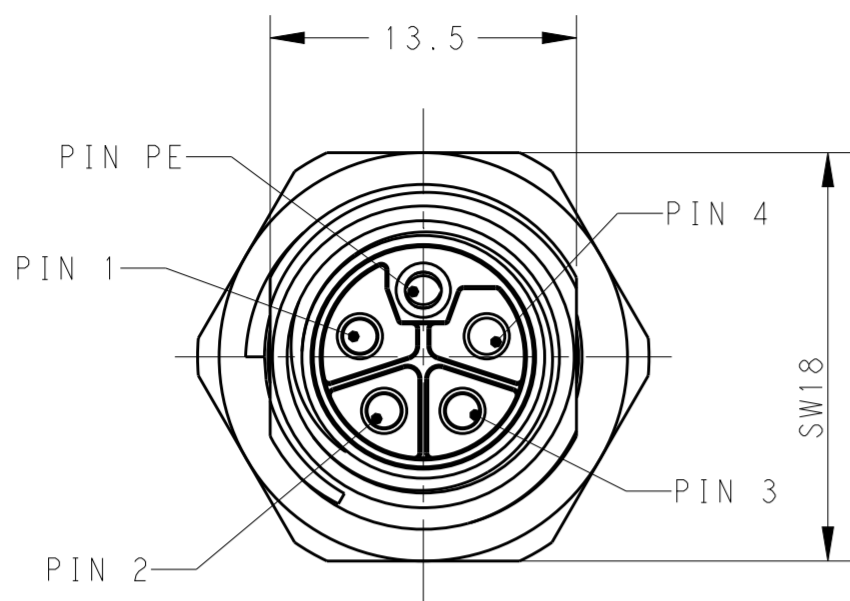
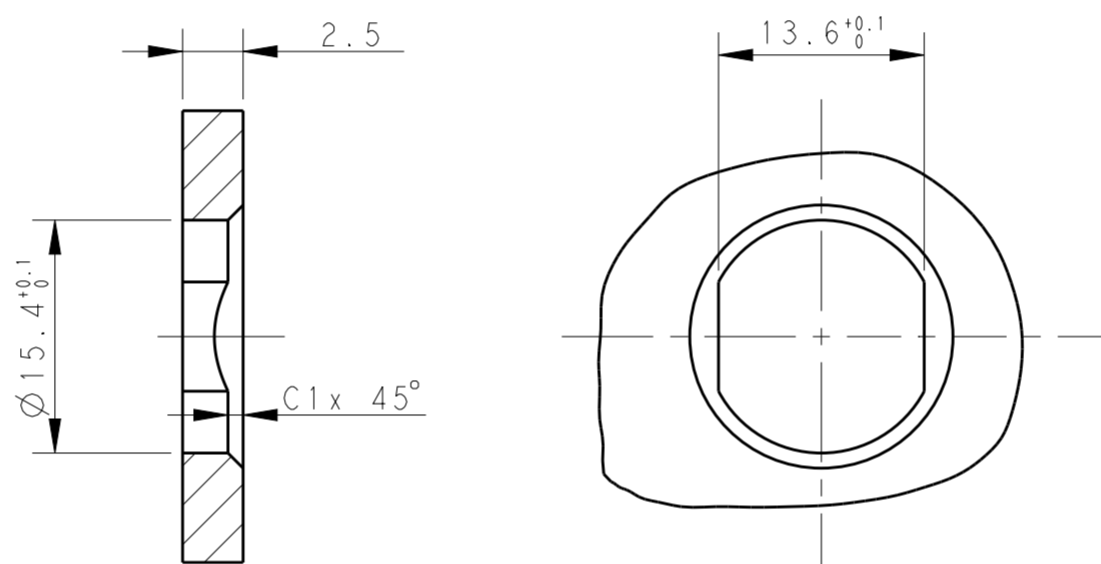


TABLE 1

TECHNICAL DATA	T4140L12031-000	T4140L12041-000	T4140L12051-000
RATED VOLTAGE	63V	63V	63V
RATED CURRENT	16A	16A	16A
POLLUTION DEGREE	3	3	3
OVERVOLTAGE CATEGORY	IV	IV	IV
MATERIAL GROUP	IIIb	IIIb	IIIb
CONTACT RESISTANCE	≤5mΩ	≤5mΩ	≤5mΩ
INSULATION RESISTANCE	>100MΩ	>100MΩ	>100MΩ
DEGREE OF PROTECTION	IP67	IP67	IP67
OPERATION TEMPERATURE	-40~85°C	-40~85°C	-40~85°C



RECOMMENDED PANEL CUTOUT

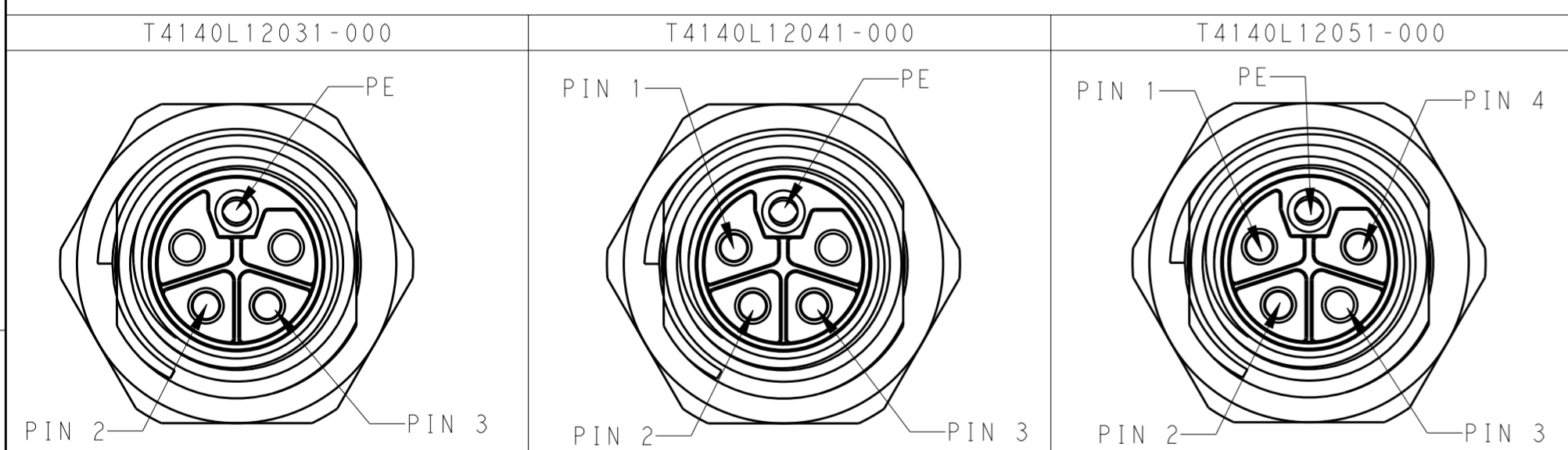
NOTE:

1. TECHNICAL DATA: SEE TABLE 1
2. RECOMMENDED PANEL CUTOUT AND PCB LAYOUT SEE DETAIL
3. PRODUCT COMPLIES WITH IEC61076-2-111
4. ALL MATERIALS TO BE ROHS COMPLIANT
5. ALL MATERIALS TO BE REACH COMPLIANT
6. PACKAGING: 1 PIECE IN A BAG
7. ALL DIMENSIONS ARE FOR NOMINAL REFERENCE ONLY UNLESS OTHERWISE STATED

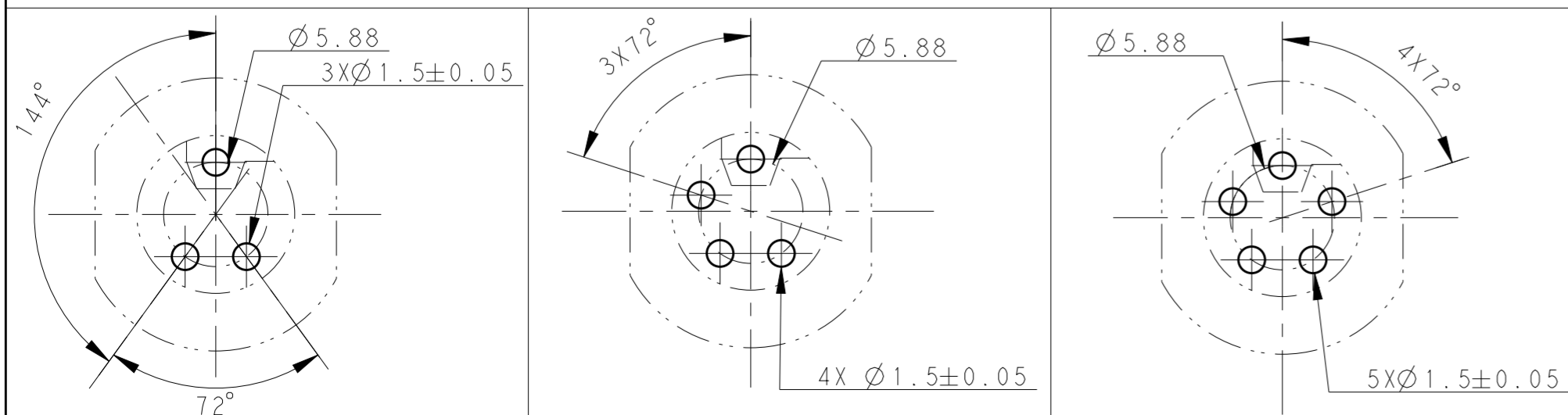
注释:

1. 技术参数, 见表1
2. 推荐面板及PCB开孔尺寸详见如图所示
3. 产品符合标准 IEC61076-2-111
4. 所有材料符合ROHS参照标准TEC-138-705
5. 所有材料符合REACH参照标准TEC-138-705
6. 包装: 1PCS/袋
7. 所有尺寸仅供参考, 除非另有说明

PIN ARRANGEMENT L-CODE



RECOMMENDED DRILLING DIAGRAM



T4140L12031-000	RPC-M12L-MF-3CON-PG9-LBU	3
T4140L12041-000	RPC-M12L-MF-4CON-PG9-LBU	4
T4140L12051-000	RPC-M12L-MF-5CON-PG9-LBU	5
PART NUMBER	TYPE	POS.

OTHERS	MATERIAL	DESCRIPTION	ITEM
BLACK	LCP	M12, MALE HSG, L CODE, 5P	5
GOLD PLATED	COPPER ALLOY	CONTACT	4
NICKEL PLATED	COPPER ALLOY	METAL NUT	3
BLACK	RUBBER	O-RING	2
NICKEL PLATED	COPPER ALLOY	M12, FEMALE, METAL BODY	1

THIS DRAWING IS A CONTROLLED DOCUMENT.

DWN: TONY FAN 12JUN2018  
CHK: GINO YAO 12JUN2018  
APVD: CHRIS WANG 12JUN2018

TE Connectivity

M12 PANEL MOUNT CONNECTOR  
L CODE, MALE, REAR MOUNT,  
PCB SOLDERING

SIZE: A2 CAGE CODE: - DRAWING NO: C-T4140L120X1000 RESTRICTED TO: B

SCALE: 5:1 SHEET: 1 OF 1

CUSTOMER DRAWING