

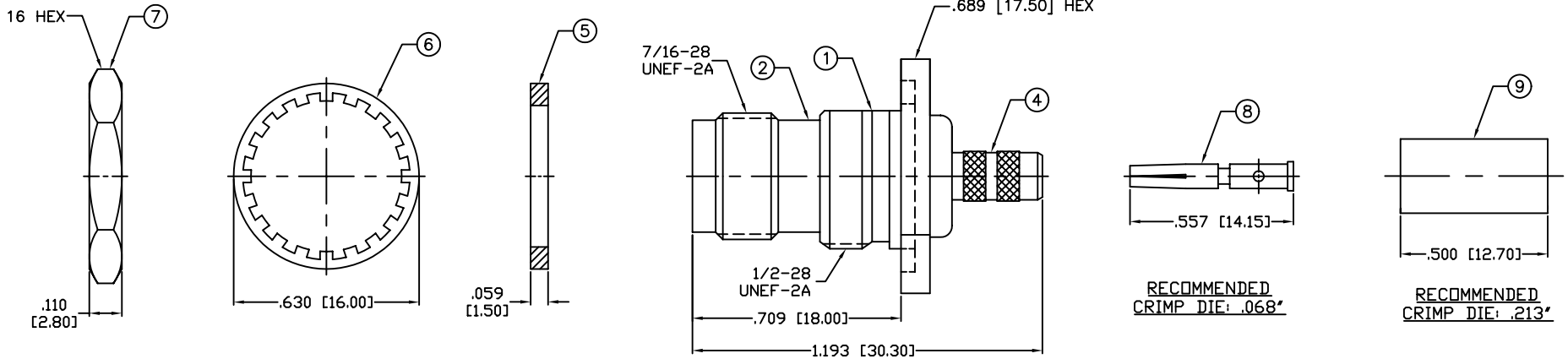
THIS DRAWING CONTAINS INFORMATION PROPRIETARY TO RF INDUSTRIES,
 ANY UNAUTHORIZED USE OF THIS DRAWING IS EXPRESSLY PROHIBITED
 WITHOUT WRITTEN PERMISSION FROM RF INDUSTRIES.
 ANY VIOLATION IS PUNISHABLE UNDER U.S. COPYRIGHT LAWS.

PART NO.

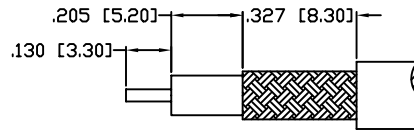
RFT-1212-C1

REV	DESCRIPTION	DWN	DATE	APPROVED
-	ENGINEERING RELEASE	CZS	10/31/97	R. RICE

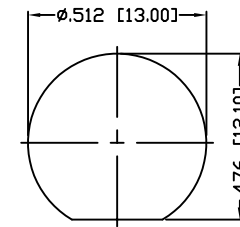
ALL DIMENSIONS ARE REFERENCE ONLY



MAX. PANEL THICKNESS= .138 [3.50]



RECOMMENDED STRIPPING DIMENSIONS



RECOMMENDED MOUNTING HOLE

SPECIFICATIONS:

IMPEDANCE: 50 Ohms
 FREQUENCY RANGE: 0-7 GHz
 WORKING VOLTAGE: 500 VRMS
 INSULATION RESISTANCE: 5k M ohms min.
 TEMPERATURE RANGE: -65°C TO 85°C
 FOR RG-223, RG-400, RG-142, RG-55

1	PRESS BODY	1	BRASS	NICKEL, 100μ ²	008974	
2	BODY	1	BRASS	NICKEL, 100μ ²		
3	INSULATOR	1	DELTRIN	----		
4	FERRULE STUD	1	BRASS	NICKEL, 100μ ²		
5	GASKET	1	RUBBER	----		
6	LOCK WASHER	1	BRASS	NICKEL, 100μ ²		
7	HEX NUT	1	BRASS	NICKEL, 100μ ²		
8	CONTACT	1	PHOS BRONZE	GOLD, 3μ ²		
9	FERRULE	1	BRASS	NICKEL, 100μ ²		
10					DRAWN	
11					G. GALLEGOS	2/25/02
12					CHECKED	
13					ORJ DRAWN	
14					C. ZUNIGA	10/13/97
#	DESCRIPTION	QTY	MATERIAL	FINISH	APPROVALS	DATE

UNLESS OTHERWISE SPECIFIED:
 1. REMOVE ALL BURRS
 2. BREAK ALL CORNERS & EDGES .005 R. MAX.
 3. CHAMFER 1ST & LAST THREADS 45°
 4. SURFACE ROUGHNESS 63 FINISH MIL-STD-10
 5. DIAMETERS ON COMMON CENTERS TO BE CONCENTRIC WITHIN .002 T.I.R.
 6. ALL DIMENSIONS ARE AFTER PLATING.

DIMENSIONS ARE IN INCHES AND [MILLIMETERS]
 UNLESS OTHERWISE NOTED TOLERANCES ARE:
 DECIMALS DIAMETER
 .XXX±.003 [.08] .XXX±.001 [.03]
 .XX±.005 [.13] .XX±.003 [.08]

RF connectors
 DIVISION OF RF INDUSTRIES, LTD.

7610 MIRAMAR RD
 SAN DIEGO, CA 92126
 (858) 549-6340
 (858) 549-6345 FAX

TNC JACK, CRIMP

BULKHEAD

SIZE	CABLE GROUP	DWG NO.	REV
A	C1	RFT-1212-C1	-
SCALE:	NTS	CAD FILE	OUTLINE
SHEET 1 OF 1			