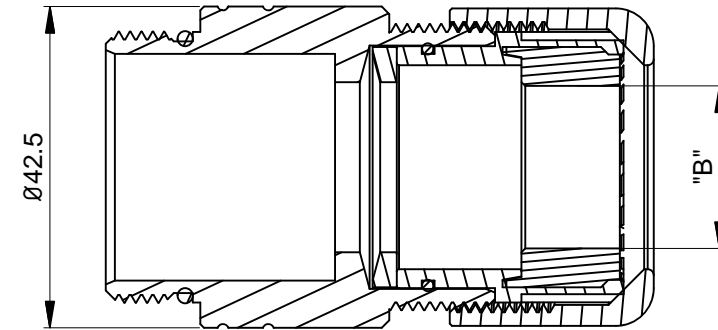
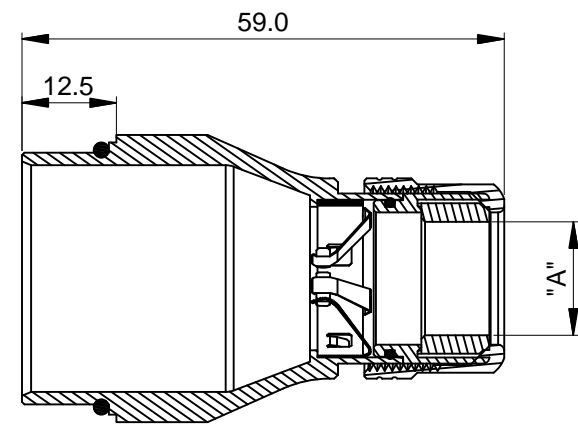
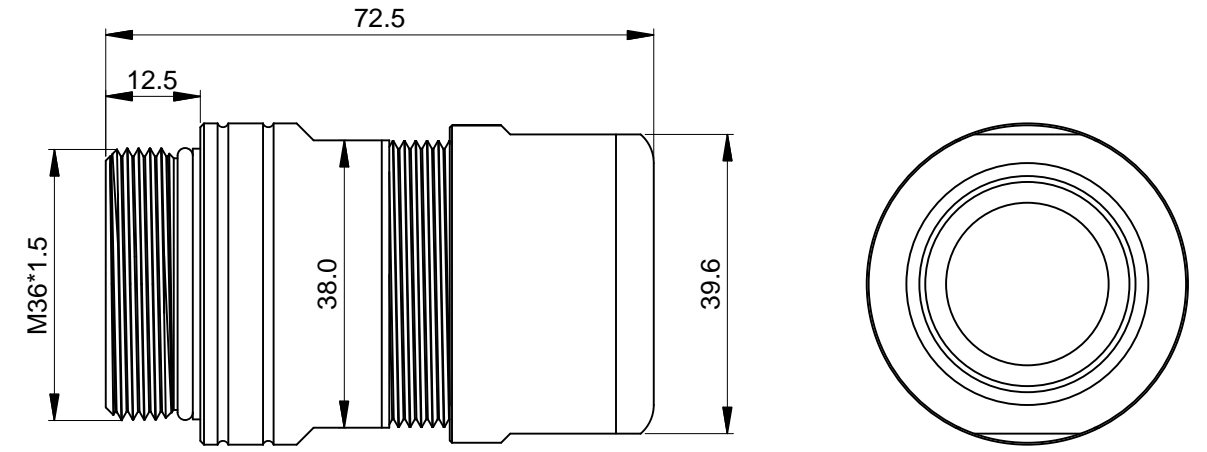
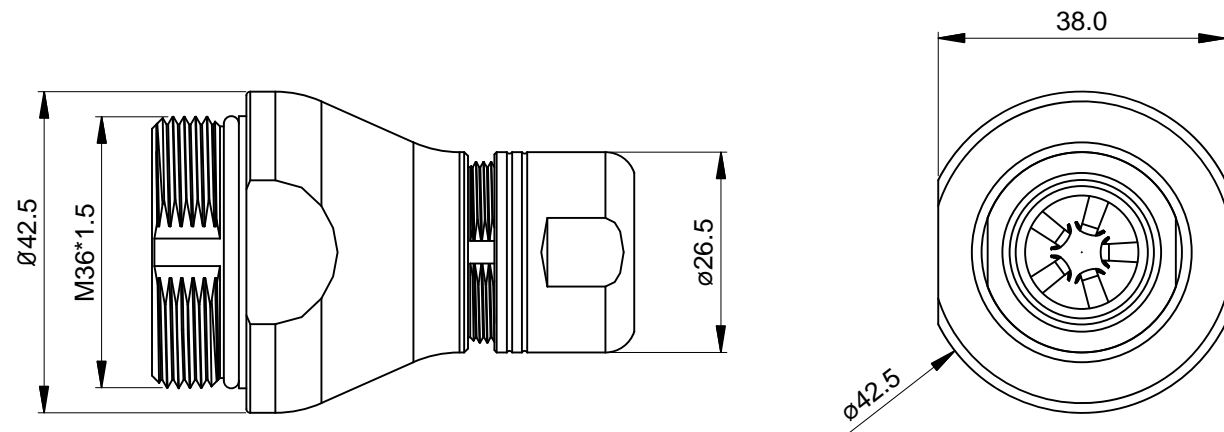


REVISIONS					
REV	ECO	DESCRIPTION	DATE	BY	APPR
B1	-	RELEASE NEW DWG FORMAT	05/10/14	DRACK	



Part Number	Dimension "B "	Cable OD Range
MC3CG-S4	Ø21.5 mm	17.0~19.5 mm
MC3CG-S5	Ø21.5 mm	19.5~21.5 mm
MC3CG-S6	Ø26.0 mm	21.5~24.0 mm
MC3CG-S7	Ø26.0 mm	25.5~26.0 mm

Part Number	Dimension "A "	Cable OD Range
MC3CG-S1	Ø15.0 mm	9.0~12.5 mm
MC3CG-S2	Ø15.0 mm	12.5~14.5 mm
MC3CG-S3	Ø17.5 mm	14.5~17.0 mm

NOTES: UNLESS OTHERWISE SPECIFIED

1. MATERIAL:
EMI SHIELDING RING: STAINLESS STEEL
SEAL: EPDM
HOUSING BODY: ZINC DIE CAST, NICKEL PLATED

2. SPECIFICATIONS:
2.1 DEGREE OF PROTECTION: IP67 (MATED CONDITION)
2.2 RoHS COMPLIANT

3. ALL DIMENSIONS ARE FOR REFERENCE USE ONLY.

QUANTITY	SEE PART NUMBER CHART PART NUMBER	DESCRIPTION	ITEM
----------	-----------------------------------	-------------	------

MATERIALS LIST			
UNLESS OTHERWISE SPECIFIED 1) All dimensions are in metric(mm). 2) Tolerances are as follows: 1 PL DEC ±0.30 2 PL DEC ±0.15 3 PL DEC ±0.08 Fractions ±1/64 Angles ±1° 3) Note reference =		SIGNATURES DRAWN: Drack CHECKED: ENGINEER: APPROVAL:	DATE 05/10/14
MATERIAL SPECIFICATIONS:		CUSTOMER:	
PROCESS SPECIFICATIONS:		THIS DRAWING IS SUPPLIED FOR INFORMATION ONLY. DESIGN FEATURES, SPECIFICATIONS AND PERFORMANCE DATA SHOWN HEREON ARE THE PROPERTY OF THE AMPHENOL CORPORATION. NO RIGHTS OF REPRODUCTION ARE IMPLIED. ALL DIMENSIONS ARE SUBJECT TO NORMAL MANUFACTURING VARIATIONS.	
NEXT ASSY:		SCALE: NONE	

Amphenol

Sine Systems - www.amphenol-sine.com
44724 Morley Drive
Clinton Township, MI 48036

M40C,CORD GRIP

SIZE: B	TYPE: C-	DWG NO.: MC3CG-SX	REVISION: B1
SHEET 1 OF 1			

TITLE: M40C,CORD GRIP DWG NO.: MB3CG-SX REV: B1 SH: 1 OF: 1