

LP0805 High Performance Low Pass Filter **AVX RF**

LP0805H0700ASTR



ITF TECHNOLOGY

The ITF SMD Filter is based on thin-film multilayer technology. The technology provides a miniature part with excellent high frequency performance and rugged construction for reliable automatic assembly. The ITF Filter is offered in a variety of frequency bands compatible with various types of high frequency wireless systems.

FEATURES

- Small size: 0805
- Frequency: 700MHz
- Sharp attenuation slope
- Characteristic impedance: 50Ohm
- Operating / Storage temp: -40°C – +100°C
- Low profile
- Rugged construction
- Taped and reeled
- Power handling: 8W

APPLICATIONS

- Mobile communications
- Satellite TV receivers
- GPS
- Vehicle location systems
- Wireless LAN's

HOW TO ORDER

LP	0805	H	0700	A	S	TR
Series	Size	Type	Frequency (MHz)	Sub-Type	Termination	Taped & Reeled

FINAL QUALITY INSPECTION

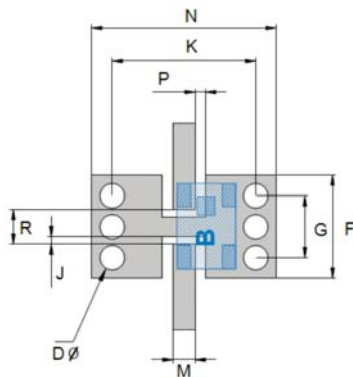
Finished parts are 100% tested for electrical parameters and visual/mechanical characteristics. Each production lot is evaluated on a sample basis for:

- Static Humidity: 85°C, 85% RH, 160 hours
- Endurance: 125°C, I_R, 4 hours

TERMINATION

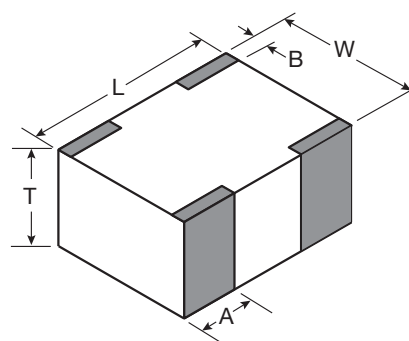
Nickel/ Lead free Solder coating (Sn100) compatible with automatic soldering technologies: reflow, wave soldering, vapor phase and manual.

RECOMMENDED PAD LAYOUT mm (inches)



F	2.50±0.05 (0.098±0.002)
G	1.50±0.05 (0.059±0.002)
J	0.19±0.05 (0.007±0.002)
K	3.48±0.05 (0.137±0.002)
M	0.54±0.25 (0.021±0.010)
N	4.48±0.05 (0.776±0.002)
P	0.25±0.05 (0.010±0.002)
R	0.85±0.05 (0.033±0.002)
D	0.60±0.05 (0.024±0.002)

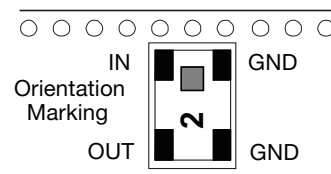
DIMENSIONS (Top View)



mm (inches)

L	2.03±0.10 (0.080±0.004)
W	1.55±0.10 (0.061±0.004)
T	0.80±0.10 (0.031±0.004)
A	0.56±0.25 (0.022±0.010)
B	0.35±0.15 (0.014±0.006)

TERMINALS AND LAYOUT (Top View)



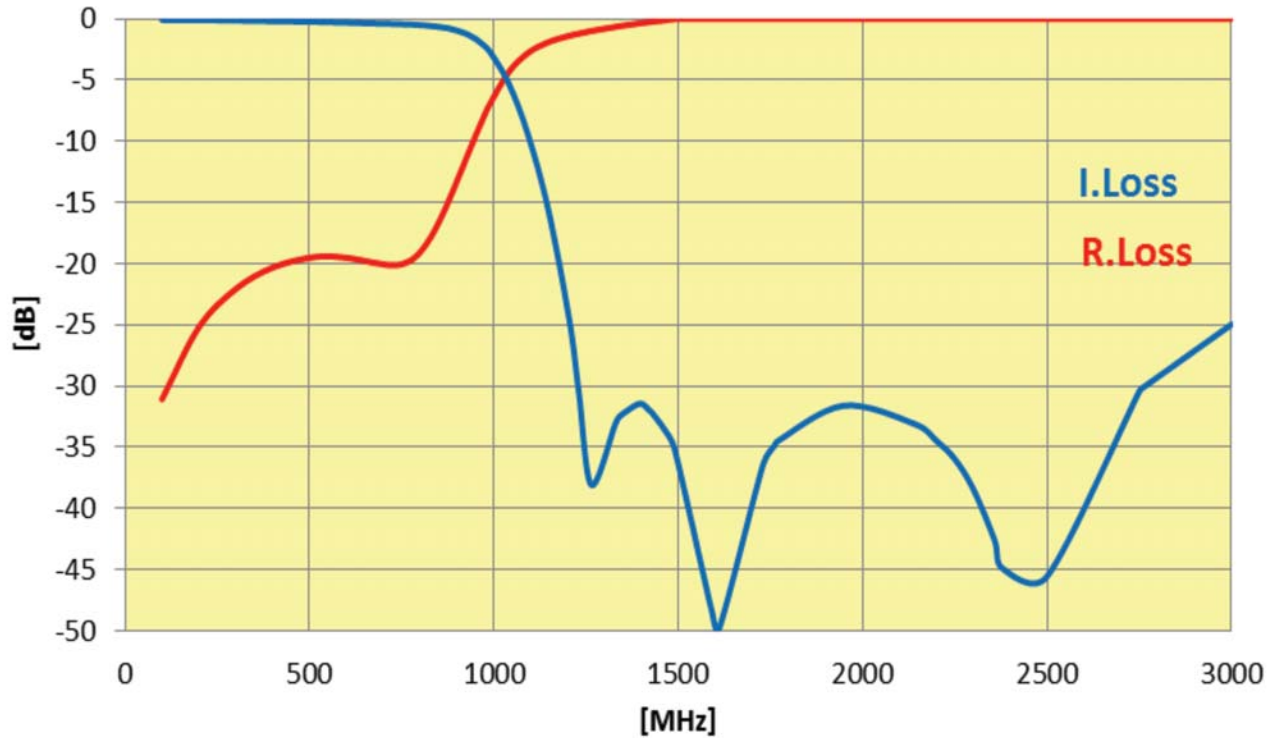
LP0805 High Performance Low Pass Filter **AVX RF**

LP0805H0700ASTR

ELECTRICAL CHARACTERISTICS

P/N	Frequency	I.Loss @ 700MHz	R.Loss @ 700MHz	Attenuation
LP0805H0700ASTR	700MHz	-0.4dB max.	-20dB	-35dB at 1400MHz -30dB at 2100MHz -30dB at 2800MHz

TYPICAL ELECTRICAL PERFORMANCE



LP0805 High Performance Low Pass Filter **AVX RF**

LP0805H0780ASTR



ITF TECHNOLOGY

The ITF SMD Filter is based on thin-film multilayer technology. The technology provides a miniature part with excellent high frequency performance and rugged construction for reliable automatic assembly. The ITF Filter is offered in a variety of frequency bands compatible with various types of high frequency wireless systems.

FEATURES

- Small size: 0805
- Frequency: 780MHz
- Sharp attenuation slope
- Characteristic impedance: 50Ohm
- Operating / Storage temp: -40°C – +100°C
- Low profile
- Rugged construction
- Taped and reeled
- Power handling: 8W

APPLICATIONS

- Mobile communications
- Satellite TV receivers
- GPS
- Vehicle location systems
- Wireless LAN's

HOW TO ORDER

LP	0805	H	0780	A	S	TR
Series	Size	Type	Frequency (MHz)	Sub-Type	Termination	Taped & Reeled

FINAL QUALITY INSPECTION

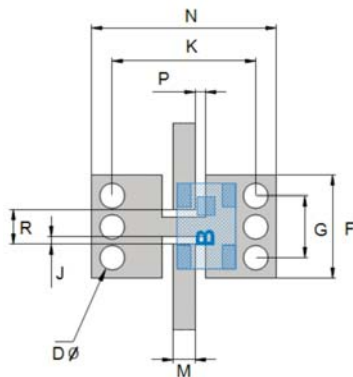
Finished parts are 100% tested for electrical parameters and visual/mechanical characteristics. Each production lot is evaluated on a sample basis for:

- Static Humidity: 85°C, 85% RH, 160 hours
- Endurance: 125°C, I_R, 4 hours

TERMINATION

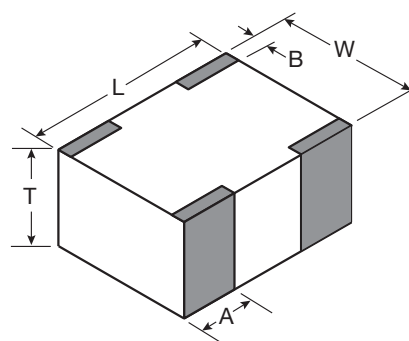
Nickel/ Lead free Solder coating (Sn100) compatible with automatic soldering technologies: reflow, wave soldering, vapor phase and manual.

RECOMMENDED PAD LAYOUT mm (inches)



F	2.50±0.05 (0.098±0.002)
G	1.50±0.05 (0.059±0.002)
J	0.19±0.05 (0.007±0.002)
K	3.48±0.05 (0.137±0.002)
M	0.54±0.25 (0.021±0.010)
N	4.48±0.05 (0.776±0.002)
P	0.25±0.05 (0.010±0.002)
R	0.85±0.05 (0.033±0.002)
D	0.60±0.05 (0.024±0.002)

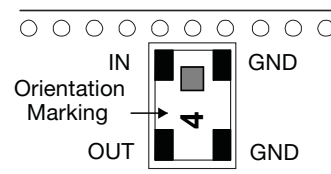
DIMENSIONS (Top View)



mm (inches)

L	2.03±0.10 (0.080±0.004)
W	1.55±0.10 (0.061±0.004)
T	0.80±0.10 (0.031±0.004)
A	0.56±0.25 (0.022±0.010)
B	0.35±0.15 (0.014±0.006)

TERMINALS AND LAYOUT (Top View)



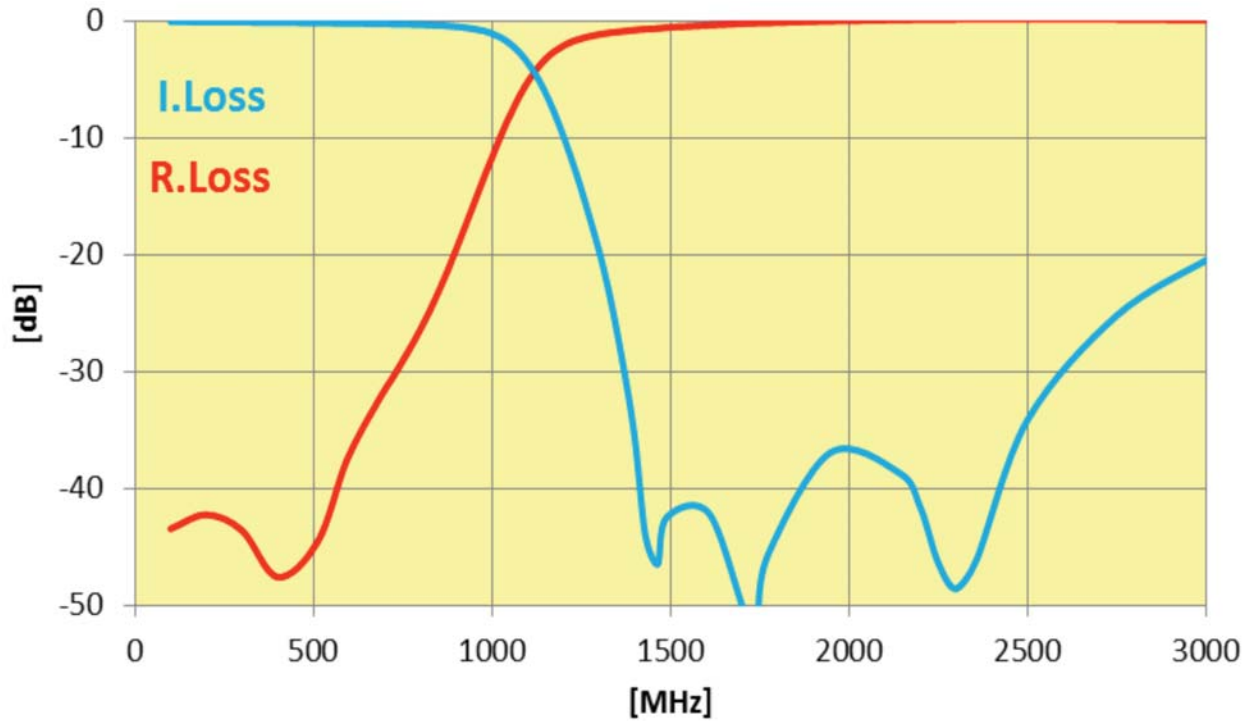
LP0805 High Performance Low Pass Filter **AVX RF**

LP0805H0780ASTR

ELECTRICAL CHARACTERISTICS

P/N	I.Loss @ 780MHz	R.Loss @ 780MHz	Attenuation
LP0805H0780ASTR	-0.4dB max.	-20dB	-35dB at 1560MHz -40dB at 2340MHz -20dB at 3120MHz

TYPICAL ELECTRICAL PERFORMANCE



LP0805 High Performance Low Pass Filter **AVX RF**

LP0805H0942ASTR



ITF TECHNOLOGY

The ITF SMD Filter is based on thin-film multilayer technology. The technology provides a miniature part with excellent high frequency performance and rugged construction for reliable automatic assembly. The ITF Filter is offered in a variety of frequency bands compatible with various types of high frequency wireless systems.

FEATURES

- Small size: 0805
- Frequency: 942MHz
- Sharp attenuation slope
- Characteristic impedance: 50Ohm
- Operating / Storage temp: -40°C – +100°C
- Low profile
- Rugged construction
- Taped and reeled
- Power handling: 8W

APPLICATIONS

- Mobile communications
- Satellite TV receivers
- GPS
- Vehicle location systems
- Wireless LAN's

HOW TO ORDER

LP	0805	H	0942	A	S	TR
Series	Size	Type	Frequency (MHz)	Sub-Type	Termination	Taped & Reeled

FINAL QUALITY INSPECTION

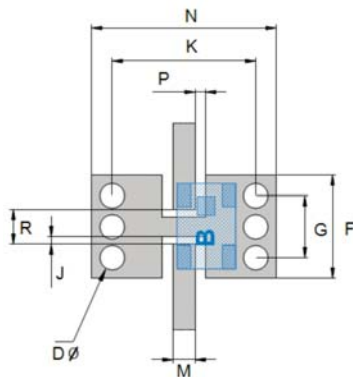
Finished parts are 100% tested for electrical parameters and visual/mechanical characteristics. Each production lot is evaluated on a sample basis for:

- Static Humidity: 85°C, 85% RH, 160 hours
- Endurance: 125°C, I_R, 4 hours

TERMINATION

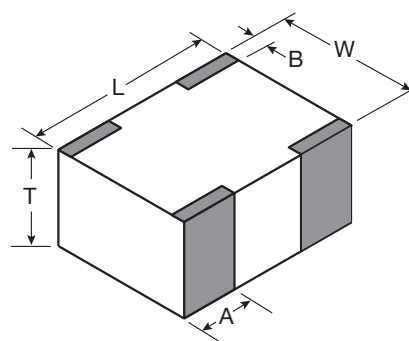
Nickel/ Lead free Solder coating (Sn100) compatible with automatic soldering technologies: reflow, wave soldering, vapor phase and manual.

RECOMMENDED PAD LAYOUT mm (inches)



F	2.50±0.05 (0.098±0.002)
G	1.50±0.05 (0.059±0.002)
J	0.19±0.05 (0.007±0.002)
K	3.48±0.05 (0.137±0.002)
M	0.54±0.25 (0.021±0.010)
N	4.48±0.05 (0.776±0.002)
P	0.25±0.05 (0.010±0.002)
R	0.85±0.05 (0.033±0.002)
D	0.60±0.05 (0.024±0.002)

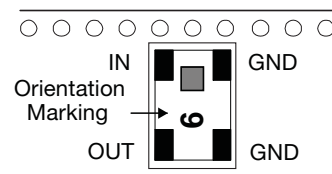
DIMENSIONS (Top View)



mm (inches)

L	2.03±0.10 (0.080±0.004)
W	1.55±0.10 (0.061±0.004)
T	0.80±0.10 (0.031±0.004)
A	0.56±0.25 (0.022±0.010)
B	0.35±0.15 (0.014±0.006)

TERMINALS AND LAYOUT (Top View)



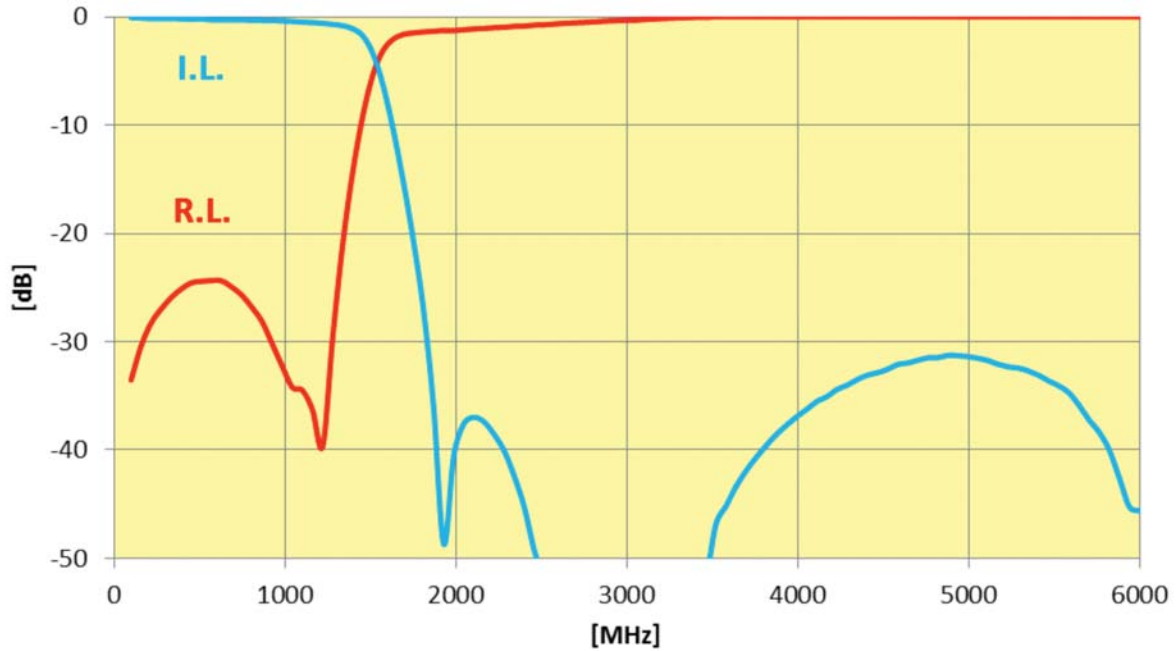
LP0805 High Performance Low Pass Filter **AVX RF**

LP0805H0942ASTR

ELECTRICAL CHARACTERISTICS

P/N	I.Loss @ 942MHz	R.Loss @ 942MHz	Attenuation
LP0805H0942ASTR	-0.4dB max.	-20dB	-35dB at 1884MHz -40dB at 2826MHz -35dB at 3768MHz

TYPICAL ELECTRICAL PERFORMANCE



LP0805 High Performance Low Pass Filter **AVX RF**

LP0805H1000ASTR



ITF TECHNOLOGY

The ITF SMD Filter is based on thin-film multilayer technology. The technology provides a miniature part with excellent high frequency performance and rugged construction for reliable automatic assembly. The ITF Filter is offered in a variety of frequency bands compatible with various types of high frequency wireless systems.

FEATURES

- Small size: 0805
- Frequency: 1000MHz
- Sharp attenuation slope
- Characteristic impedance: 50Ohm
- Operating / Storage temp: -40°C – +100°C
- Low profile
- Rugged construction
- Taped and reeled
- Power handling: 8W

APPLICATIONS

- Mobile communications
- Satellite TV receivers
- GPS
- Vehicle location systems
- Wireless LAN's

HOW TO ORDER

LP	0805	H	1000	A	S	TR
Series	Size	Type	Frequency (MHz)	Sub-Type	Termination	Taped & Reeled

FINAL QUALITY INSPECTION

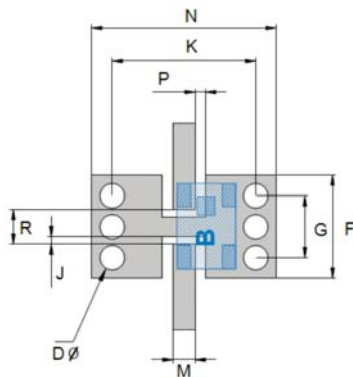
Finished parts are 100% tested for electrical parameters and visual/mechanical characteristics. Each production lot is evaluated on a sample basis for:

- Static Humidity: 85°C, 85% RH, 160 hours
- Endurance: 125°C, I_R, 4 hours

TERMINATION

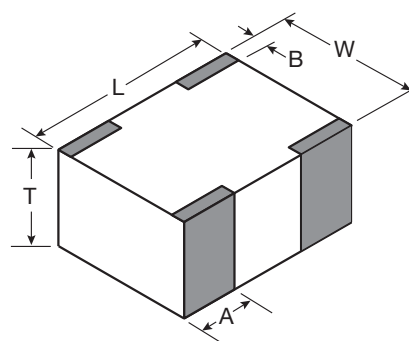
Nickel/ Lead free Solder coating (Sn100) compatible with automatic soldering technologies: reflow, wave soldering, vapor phase and manual.

RECOMMENDED PAD LAYOUT mm (inches)



F	2.50±0.05 (0.098±0.002)
G	1.50±0.05 (0.059±0.002)
J	0.19±0.05 (0.007±0.002)
K	3.48±0.05 (0.137±0.002)
M	0.54±0.25 (0.021±0.010)
N	4.48±0.05 (0.776±0.002)
P	0.25±0.05 (0.010±0.002)
R	0.85±0.05 (0.033±0.002)
D	0.60±0.05 (0.024±0.002)

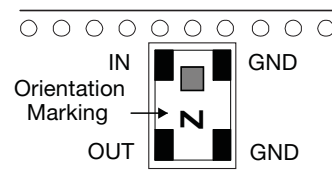
DIMENSIONS (Top View)



mm (inches)

L	2.03±0.10 (0.080±0.004)
W	1.55±0.10 (0.061±0.004)
T	0.80±0.10 (0.031±0.004)
A	0.56±0.25 (0.022±0.010)
B	0.35±0.15 (0.014±0.006)

TERMINALS AND LAYOUT (Top View)



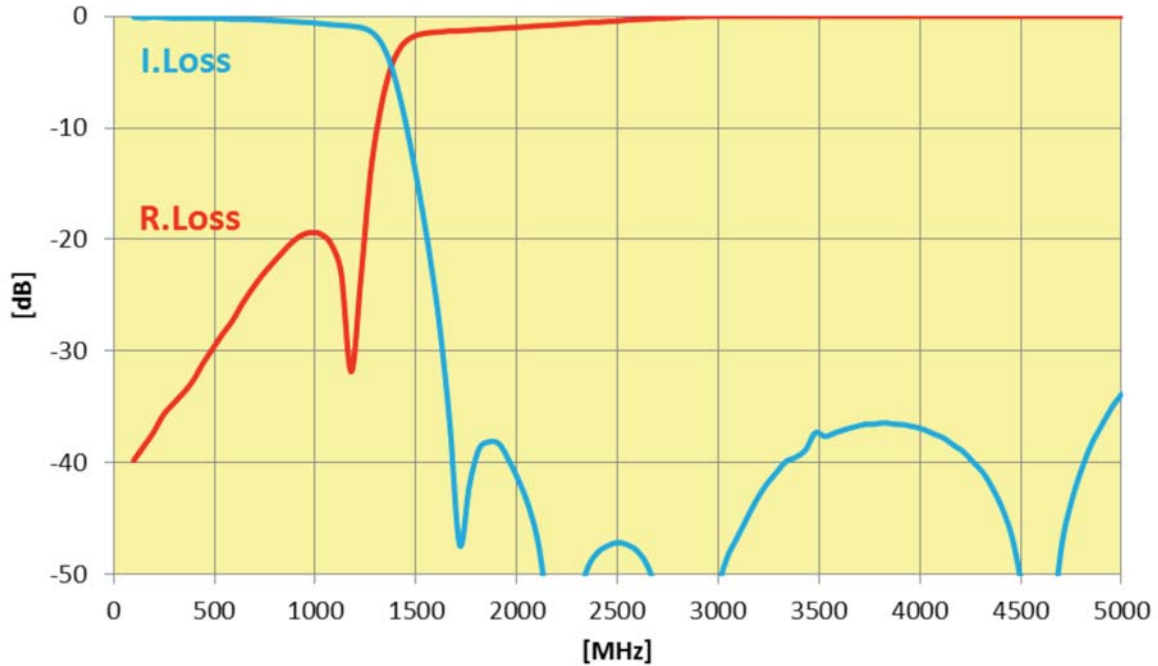
LP0805 High Performance Low Pass Filter **AVX RF**

LP0805H1000ASTR

ELECTRICAL CHARACTERISTICS

P/N	I.Loss @ 1000MHz	R.Loss @ 1000MHz	Attenuation
LP0805H1000ASTR	-0.7dB max.	-20dB	-35dB at 2000MHz -40dB at 3000MHz -35dB at 4000MHz -30dB at 5000MHz

TYPICAL ELECTRICAL PERFORMANCE



LP0805 High Performance Low Pass Filter **AVX RF**

LP0805H1250ASTR



ITF TECHNOLOGY

The ITF SMD Filter is based on thin-film multilayer technology. The technology provides a miniature part with excellent high frequency performance and rugged construction for reliable automatic assembly. The ITF Filter is offered in a variety of frequency bands compatible with various types of high frequency wireless systems.

FEATURES

- Small size: 0805
- Frequency: 1250MHz
- Sharp attenuation slope
- Characteristic impedance: 50Ohm
- Operating / Storage temp: -40°C – +100°C
- Low profile
- Rugged construction
- Taped and reeled
- Power handling: 8W

APPLICATIONS

- Mobile communications
- Satellite TV receivers
- GPS
- Vehicle location systems
- Wireless LAN's

HOW TO ORDER

LP	0805	H	1250	A	S	TR
Series	Size	Type	Frequency (MHz)	Sub-Type	Termination	Taped & Reeled

FINAL QUALITY INSPECTION

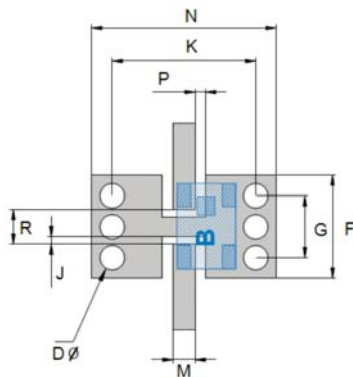
Finished parts are 100% tested for electrical parameters and visual/mechanical characteristics. Each production lot is evaluated on a sample basis for:

- Static Humidity: 85°C, 85% RH, 160 hours
- Endurance: 125°C, I_R, 4 hours

TERMINATION

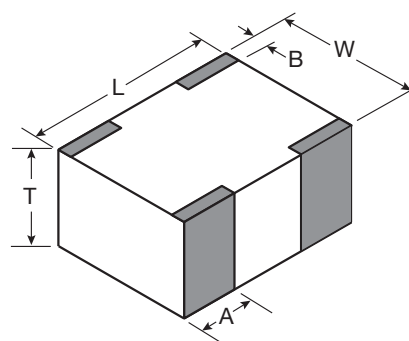
Nickel/ Lead free Solder coating (Sn100) compatible with automatic soldering technologies: reflow, wave soldering, vapor phase and manual.

RECOMMENDED PAD LAYOUT mm (inches)



F	2.50±0.05 (0.098±0.002)
G	1.50±0.05 (0.059±0.002)
J	0.19±0.05 (0.007±0.002)
K	3.48±0.05 (0.137±0.002)
M	0.54±0.25 (0.021±0.010)
N	4.48±0.05 (0.776±0.002)
P	0.25±0.05 (0.010±0.002)
R	0.85±0.05 (0.033±0.002)
D	0.60±0.05 (0.024±0.002)

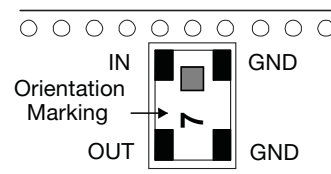
DIMENSIONS (Top View)



mm (inches)

L	2.03±0.10 (0.080±0.004)
W	1.55±0.10 (0.061±0.004)
T	0.80±0.10 (0.031±0.004)
A	0.56±0.25 (0.022±0.010)
B	0.35±0.15 (0.014±0.006)

TERMINALS AND LAYOUT (Top View)



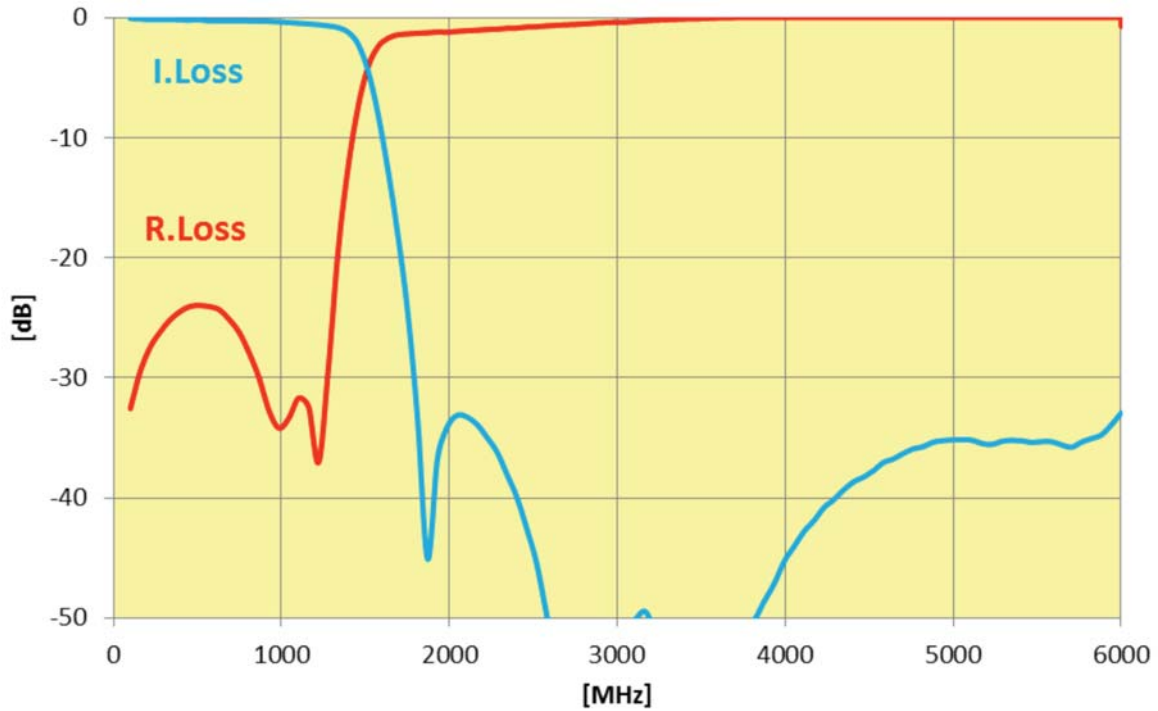
LP0805 High Performance Low Pass Filter **AVX RF**

LP0805H1250ASTR

ELECTRICAL CHARACTERISTICS

P/N	I.Loss @ 1250MHz	R.Loss @ 1250MHz	Attenuation
LP0805H1250ASTR	-0.7dB max.	-25dB	-20dB at 1750MHz -35dB at 2500MHz -40dB at 3750MHz -30dB at 5000MHz

TYPICAL ELECTRICAL PERFORMANCE



LP0805 High Performance Low Pass Filter **AVX RF**

LP0805H1800ASTR



ITF TECHNOLOGY

The ITF SMD Filter is based on thin-film multilayer technology. The technology provides a miniature part with excellent high frequency performance and rugged construction for reliable automatic assembly. The ITF Filter is offered in a variety of frequency bands compatible with various types of high frequency wireless systems.

FEATURES

- Small size: 0805
- Frequency: 1800MHz
- Sharp attenuation slope
- Characteristic impedance: 50Ohm
- Operating / Storage temp: -40°C – +100°C
- Low profile
- Rugged construction
- Taped and reeled
- Power handling: 8W

APPLICATIONS

- Mobile communications
- Satellite TV receivers
- GPS
- Vehicle location systems
- Wireless LAN's

HOW TO ORDER

LP	0805	H	1800	A	S	TR
Series	Size	Type	Frequency (MHz)	Sub-Type	Termination	Taped & Reeled

FINAL QUALITY INSPECTION

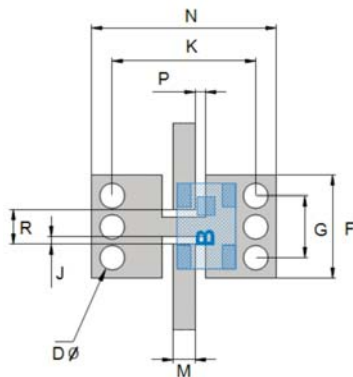
Finished parts are 100% tested for electrical parameters and visual/mechanical characteristics. Each production lot is evaluated on a sample basis for:

- Static Humidity: 85°C, 85% RH, 160 hours
- Endurance: 125°C, I_R, 4 hours

TERMINATION

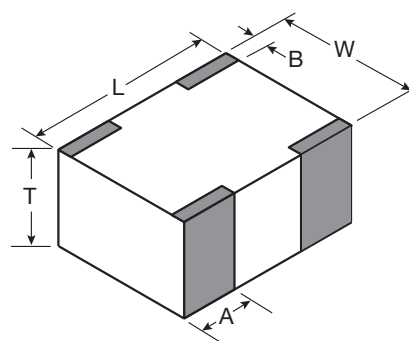
Nickel/ Lead free Solder coating (Sn100) compatible with automatic soldering technologies: reflow, wave soldering, vapor phase and manual.

RECOMMENDED PAD LAYOUT mm (inches)



F	2.50±0.05 (0.098±0.002)
G	1.50±0.05 (0.059±0.002)
J	0.19±0.05 (0.007±0.002)
K	3.48±0.05 (0.137±0.002)
M	0.54±0.25 (0.021±0.010)
N	4.48±0.05 (0.776±0.002)
P	0.25±0.05 (0.010±0.002)
R	0.85±0.05 (0.033±0.002)
D	0.60±0.05 (0.024±0.002)

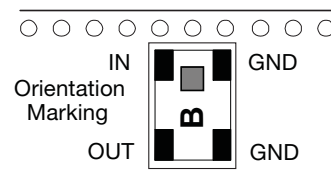
DIMENSIONS (Top View)



mm (inches)

L	2.03±0.10 (0.080±0.004)
W	1.55±0.10 (0.061±0.004)
T	0.80±0.10 (0.031±0.004)
A	0.56±0.25 (0.022±0.010)
B	0.35±0.15 (0.014±0.006)

TERMINALS AND LAYOUT (Top View)



LP0805 High Performance Low Pass Filter

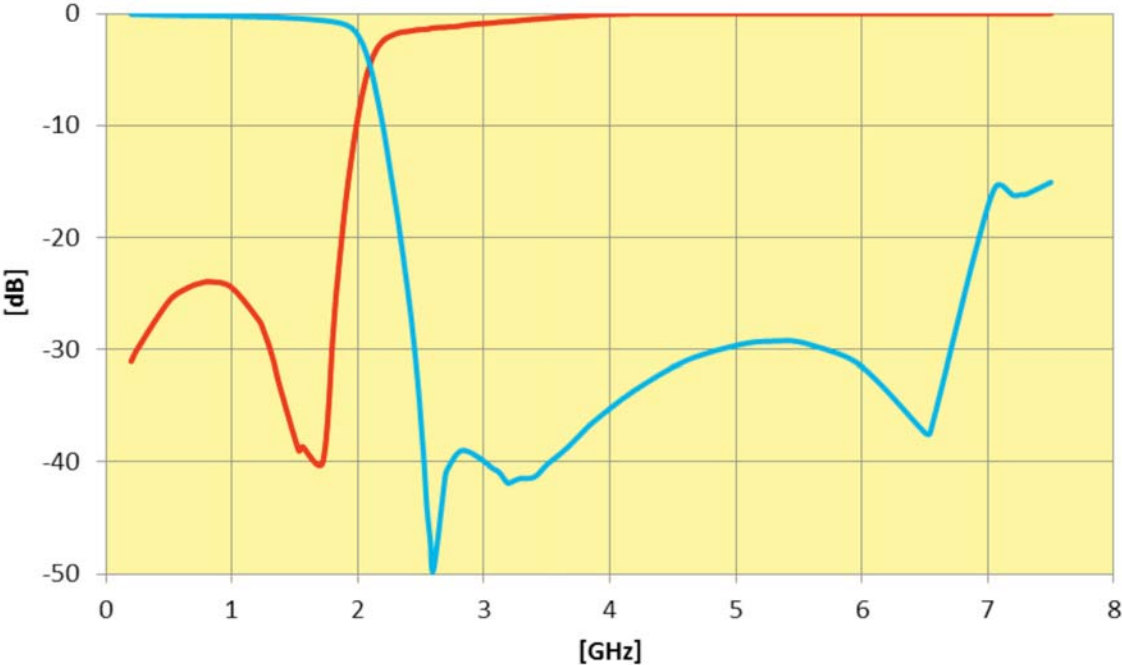


LP0805H1800ASTR

ELECTRICAL CHARACTERISTICS

P/N	Frequency	I.Loss @ 1800MHz	R.Loss @ 1800MHz	Attenuation
LP0805H1800ASTR	1800MHz	-0.8dB max.	-25dB	-35dB at 2520MHz -35dB at 3600MHz -25dB at 5400MHz

TYPICAL ELECTRICAL PERFORMANCE



LP0805 High Performance Low Pass Filter **AVX RF**

LP0805H1900ASTR



ITF TECHNOLOGY

The ITF SMD Filter is based on thin-film multilayer technology. The technology provides a miniature part with excellent high frequency performance and rugged construction for reliable automatic assembly. The ITF Filter is offered in a variety of frequency bands compatible with various types of high frequency wireless systems.

FEATURES

- Small size: 0805
- Frequency: 1900MHz
- Characteristic impedance: 50Ohm
- Operating / Storage temp: -40°C – +100°C
- Low profile
- Rugged construction
- Taped and reeled
- Power handling: 8W

APPLICATIONS

- Mobile communications
- Satellite TV receivers
- GPS
- Vehicle location systems
- Wireless LAN's

HOW TO ORDER

LP	0805	H	1900	A	S	TR
Series	Size	Type	Frequency (MHz)	Sub-Type	Termination	Taped & Reeled

FINAL QUALITY INSPECTION

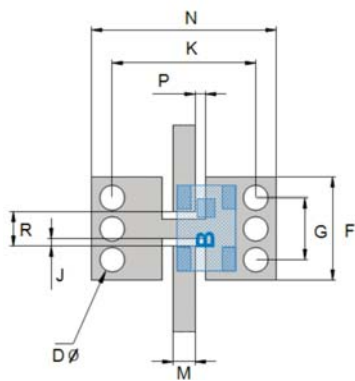
Finished parts are 100% tested for electrical parameters and visual/mechanical characteristics. Each production lot is evaluated on a sample basis for:

- Static Humidity: 85°C, 85% RH, 160 hours
- Endurance: 125°C, I_R, 4 hours

TERMINATION

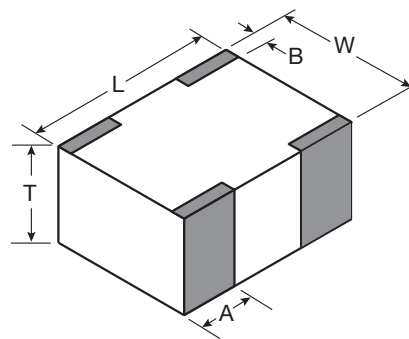
Nickel/ Lead free Solder coating (Sn100) compatible with automatic soldering technologies: reflow, wave soldering, vapor phase and manual.

RECOMMENDED PAD LAYOUT mm (inches)



F	2.50±0.05 (0.098±0.002)
G	1.50±0.05 (0.059±0.002)
J	0.19±0.05 (0.007±0.002)
K	3.48±0.05 (0.137±0.002)
M	0.54±0.25 (0.021±0.010)
N	4.48±0.05 (0.776±0.002)
P	0.25±0.05 (0.010±0.002)
R	0.85±0.05 (0.033±0.002)
D	0.60±0.05 (0.024±0.002)

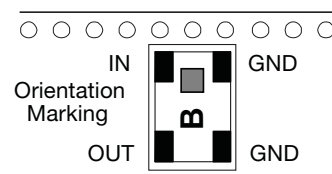
DIMENSIONS (Top View)



mm (inches)

L	2.03±0.10 (0.080±0.004)
W	1.55±0.10 (0.061±0.004)
T	0.80±0.10 (0.031±0.004)
A	0.56±0.25 (0.022±0.010)
B	0.35±0.15 (0.014±0.006)

TERMINALS AND LAYOUT (Top View)



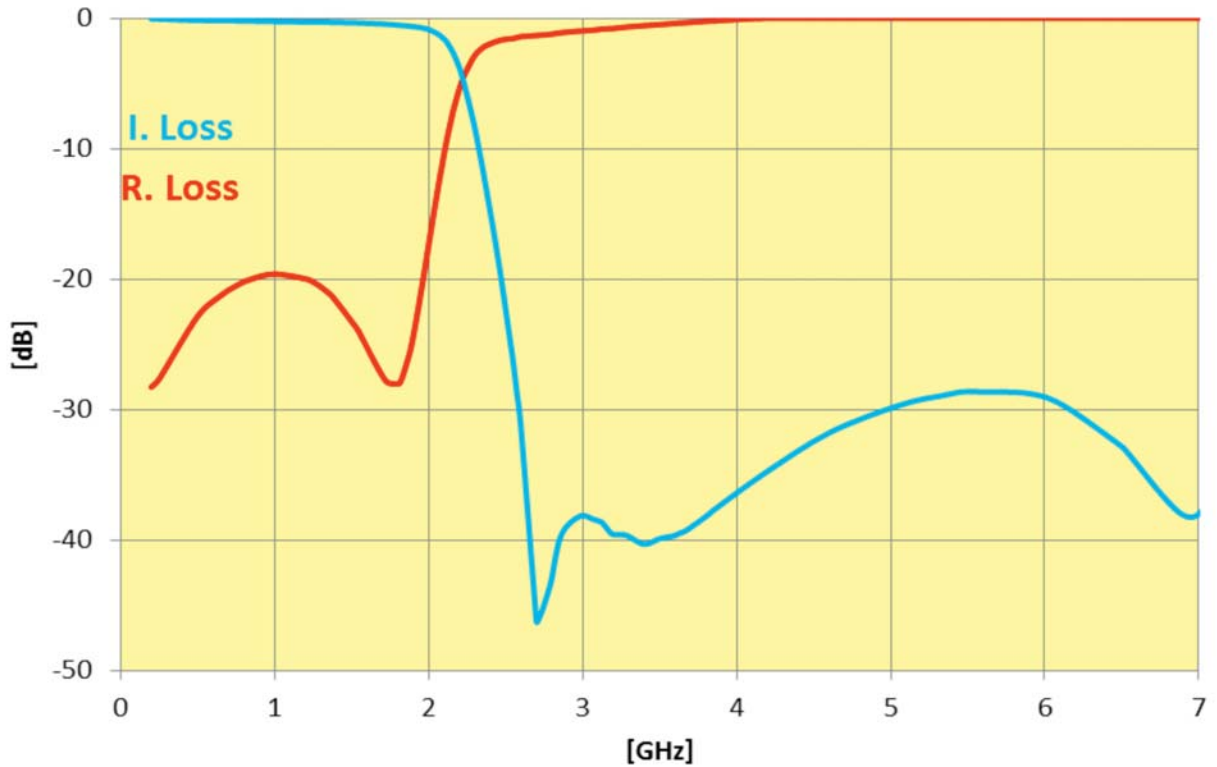
LP0805 High Performance Low Pass Filter **AVX RF**

LP0805H1900ASTR

ELECTRICAL CHARACTERISTICS

P/N	Frequency	I.Loss @ 1900MHz	R.Loss @ 1900MHz	Attenuation
LP0805H1900ASTR	1900MHz	-0.75dB max.	-20dB	-35dB at 2660MHz -35dB at 3800MHz -25dB at 5700MHz

TYPICAL ELECTRICAL PERFORMANCE



LP0805 High Performance Low Pass Filter **AVX RF**

LP0805H2400ASTR



ITF TECHNOLOGY

The ITF SMD Filter is based on thin-film multilayer technology. The technology provides a miniature part with excellent high frequency performance and rugged construction for reliable automatic assembly. The ITF Filter is offered in a variety of frequency bands compatible with various types of high frequency wireless systems.

FEATURES

- Frequency: 2400MHz
- Characteristic impedance: 50Ohm
- Operating / Storage temp: -40°C – +100°C
- Low profile
- Rugged construction
- Taped and reeled
- Power handling: 8W

APPLICATIONS

- Mobile communications
- Satellite TV receivers
- GPS
- Vehicle location systems
- Wireless LAN's

HOW TO ORDER

LP	0805	H	2400	A	S	TR
Series	Size	Type	Frequency (MHz)	Sub-Type	Termination	Taped & Reeled

FINAL QUALITY INSPECTION

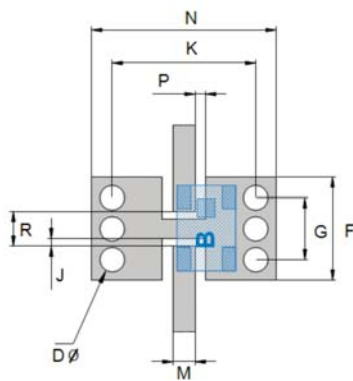
Finished parts are 100% tested for electrical parameters and visual/mechanical characteristics. Each production lot is evaluated on a sample basis for:

- Static Humidity: 85°C, 85% RH, 160 hours
- Endurance: 125°C, I_R, 4 hours

TERMINATION

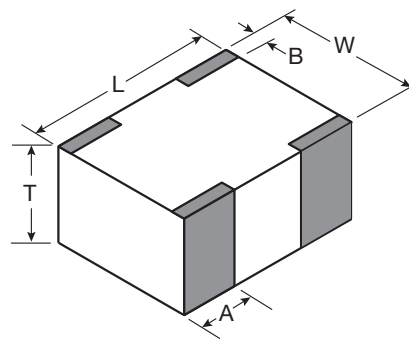
Nickel/ Lead free Solder coating (Sn100) compatible with automatic soldering technologies: reflow, wave soldering, vapor phase and manual.

RECOMMENDED PAD LAYOUT mm (inches)



F	2.50±0.05 (0.098±0.002)
G	1.50±0.05 (0.059±0.002)
J	0.19±0.05 (0.007±0.002)
K	3.48±0.05 (0.137±0.002)
M	0.54±0.25 (0.021±0.010)
N	4.48±0.05 (0.776±0.002)
P	0.25±0.05 (0.010±0.002)
R	0.85±0.05 (0.033±0.002)
D	0.60±0.05 (0.024±0.002)

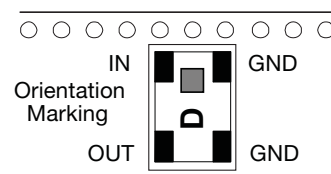
DIMENSIONS (Top View)



mm (inches)

L	2.03±0.10 (0.080±0.004)
W	1.55±0.10 (0.061±0.004)
T	0.80±0.10 (0.031±0.004)
A	0.56±0.25 (0.022±0.010)
B	0.35±0.15 (0.014±0.006)

TERMINALS AND LAYOUT (Top View)



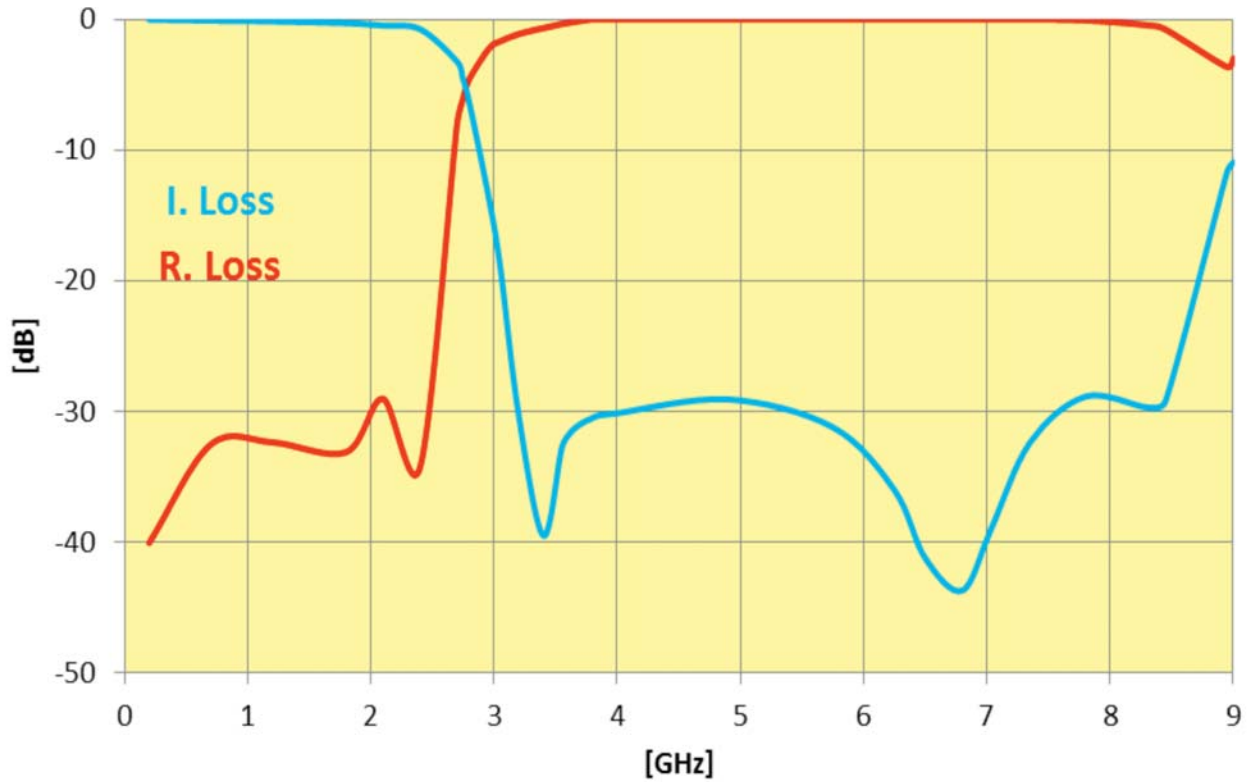
LP0805 High Performance Low Pass Filter **AVX RF**

LP0805H2400ASTR

ELECTRICAL CHARACTERISTICS

P/N	Frequency	I.Loss @ 2400MHz	R.Loss @ 2400MHz	Attenuation
LP0805H2400ASTR	2400MHz	-0.9dB max.	-30dB	-30dB at 3360MHz -25dB at 4800MHz -30dB at 7200MHz

TYPICAL ELECTRICAL PERFORMANCE



LP0805 High Performance Low Pass Filter **AVX RF**

LP0805H2900ASTR



ITF TECHNOLOGY

The ITF SMD Filter is based on thin-film multilayer technology. The technology provides a miniature part with excellent high frequency performance and rugged construction for reliable automatic assembly. The ITF Filter is offered in a variety of frequency bands compatible with various types of high frequency wireless systems.

FEATURES

- Frequency: 1700-2900MHz
- Characteristic impedance: 50Ohm
- Operating / Storage temp: -40°C – +100°C
- Low profile
- Rugged construction
- Taped and reeled
- Power handling: 8W

APPLICATIONS

- Mobile communications
- Satellite TV receivers
- GPS
- Vehicle location systems
- Wireless LAN's

HOW TO ORDER

LP	0805	H	2900	A	S	TR
Series	Size	Type	Frequency (MHz)	Sub-Type	Termination	Taped & Reeled

FINAL QUALITY INSPECTION

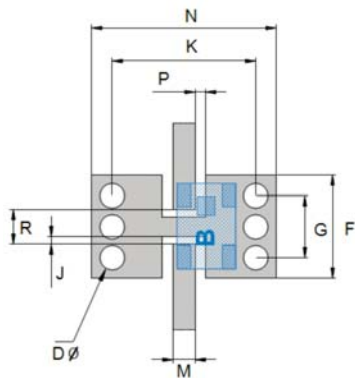
Finished parts are 100% tested for electrical parameters and visual/mechanical characteristics. Each production lot is evaluated on a sample basis for:

- Static Humidity: 85°C, 85% RH, 160 hours
- Endurance: 125°C, I_R, 4 hours

TERMINATION

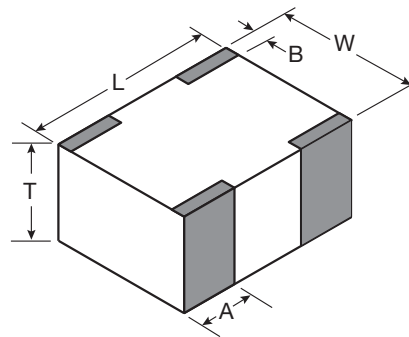
Nickel/ Lead free Solder coating (Sn100) compatible with automatic soldering technologies: reflow, wave soldering, vapor phase and manual.

RECOMMENDED PAD LAYOUT mm (inches)



F	2.50±0.05 (0.098±0.002)
G	1.50±0.05 (0.059±0.002)
J	0.19±0.05 (0.007±0.002)
K	3.48±0.05 (0.137±0.002)
M	0.54±0.25 (0.021±0.010)
N	4.48±0.05 (0.776±0.002)
P	0.25±0.05 (0.010±0.002)
R	0.85±0.05 (0.033±0.002)
D	0.60±0.05 (0.024±0.002)

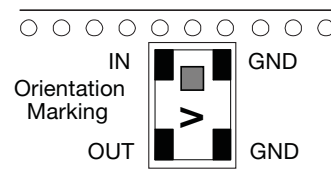
DIMENSIONS (Top View)



mm (inches)

L	2.03±0.10 (0.080±0.004)
W	1.55±0.10 (0.061±0.004)
T	0.80±0.10 (0.031±0.004)
A	0.56±0.25 (0.022±0.010)
B	0.35±0.15 (0.014±0.006)

TERMINALS AND LAYOUT (Top View)



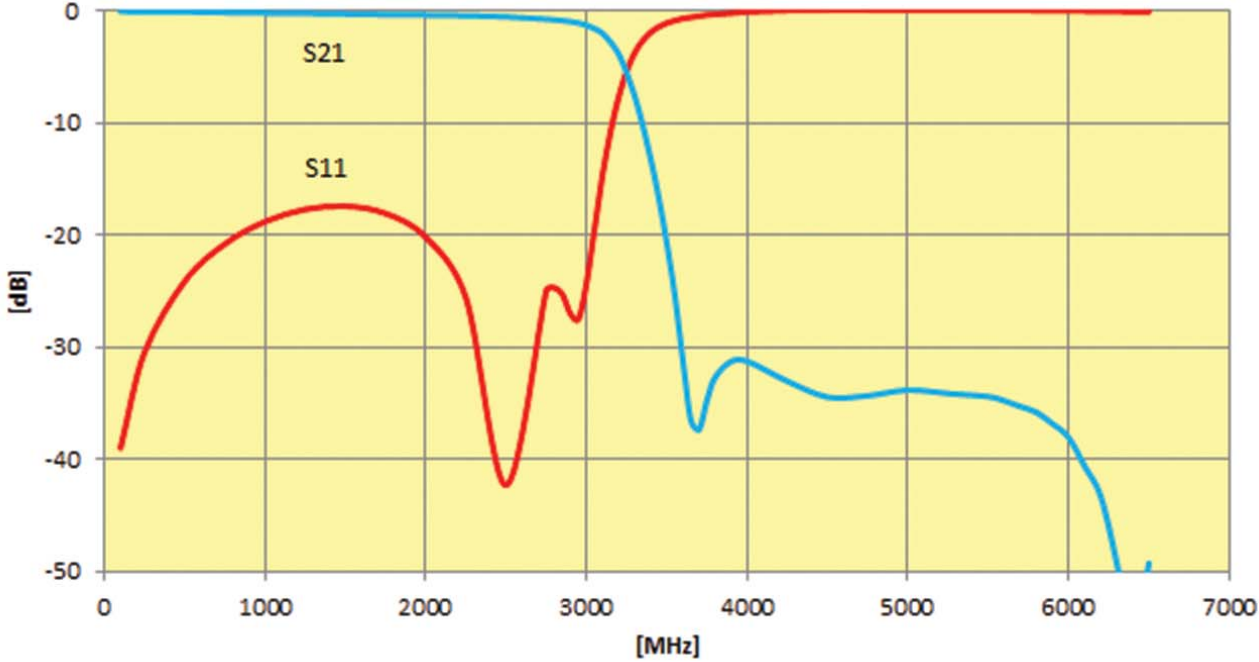
LP0805 High Performance Low Pass Filter **AVX RF**

LP0805H2900ASTR

ELECTRICAL CHARACTERISTICS

P/N	I.Loss @ 2900MHz	R.Loss @ 2900MHz	Attenuation
LP0805H2900ASTR	-1dB max.	-20dB	-30dB at 4060MHz -30dB at 5800MHz -35dB at 6500MHz

TYPICAL ELECTRICAL PERFORMANCE



LP0805 High Performance Low Pass Filter **AVX RF**

LP0805H3500ASTR



ITF TECHNOLOGY

The ITF SMD Filter is based on thin-film multilayer technology. The technology provides a miniature part with excellent high frequency performance and rugged construction for reliable automatic assembly. The ITF Filter is offered in a variety of frequency bands compatible with various types of high frequency wireless systems.

FEATURES

- Small size: 0805
- Frequency: 3500MHz
- Characteristic impedance: 50Ohm
- Operating / Storage temp: -40°C – +100°C
- Low profile
- Rugged construction
- Taped and reeled
- Power handling: 8W

APPLICATIONS

- Mobile communications
- Satellite TV receivers
- GPS
- Vehicle location systems
- Wireless LAN's

HOW TO ORDER

LP	0805	H	3500	A	S	TR
Series	Size	Type	Frequency (MHz)	Sub-Type	Termination	Taped & Reeled

FINAL QUALITY INSPECTION

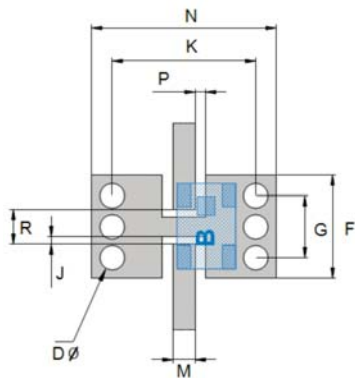
Finished parts are 100% tested for electrical parameters and visual/mechanical characteristics. Each production lot is evaluated on a sample basis for:

- Static Humidity: 85°C, 85% RH, 160 hours
- Endurance: 125°C, I_R, 4 hours

TERMINATION

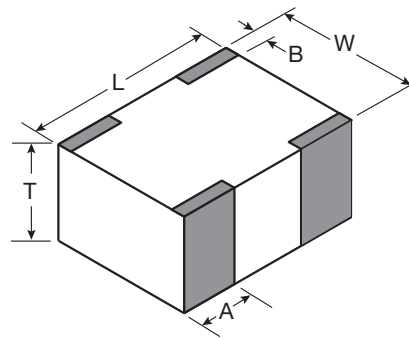
Nickel/ Lead free Solder coating (Sn100) compatible with automatic soldering technologies: reflow, wave soldering, vapor phase and manual.

RECOMMENDED PAD LAYOUT mm (inches)



F	2.50±0.05 (0.098±0.002)
G	1.50±0.05 (0.059±0.002)
J	0.19±0.05 (0.007±0.002)
K	3.48±0.05 (0.137±0.002)
M	0.54±0.25 (0.021±0.010)
N	4.48±0.05 (0.776±0.002)
P	0.25±0.05 (0.010±0.002)
R	0.85±0.05 (0.033±0.002)
D	0.60±0.05 (0.024±0.002)

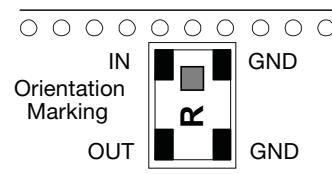
DIMENSIONS (Top View)



mm (inches)

L	2.03±0.10 (0.080±0.004)
W	1.55±0.10 (0.061±0.004)
T	0.80±0.10 (0.031±0.004)
A	0.56±0.25 (0.022±0.010)
B	0.35±0.15 (0.014±0.006)

TERMINALS AND LAYOUT (Top View)



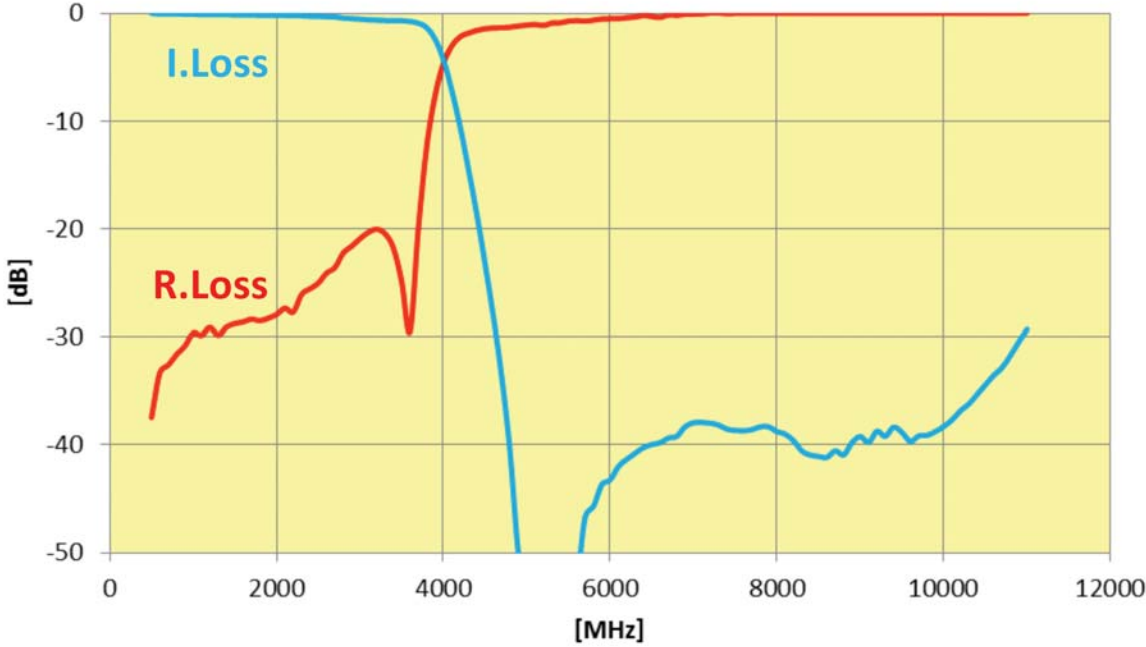
LP0805 High Performance Low Pass Filter **AVX RF**

LP0805H3500ASTR

ELECTRICAL CHARACTERISTICS

P/N	Frequency	I.Loss @ 3500MHz	R.Loss @ 3500MHz	Attenuation
LP0805H3500ASTR	3500MHz	-0.85dB max.	-20dB	-35dB at 4900MHz -30dB at 7000MHz -30dB at 10500MHz

TYPICAL ELECTRICAL PERFORMANCE



LP0805 High Performance Low Pass Filter **AVX RF**

LP0805H4000ASTR



ITF TECHNOLOGY

The ITF SMD Filter is based on thin-film multilayer technology. The technology provides a miniature part with excellent high frequency performance and rugged construction for reliable automatic assembly. The ITF Filter is offered in a variety of frequency bands compatible with various types of high frequency wireless systems.

FEATURES

- Frequency: 4000MHz
- Characteristic impedance: 50Ohm
- Operating / Storage temp: -40°C – +100°C
- Low profile
- Rugged construction
- Taped and reeled
- Power handling: 8W

APPLICATIONS

- Mobile communications
- Satellite TV receivers
- GPS
- Vehicle location systems
- Wireless LAN's

HOW TO ORDER

LP	0805	H	4000	A	S	TR
Series	Size	Type	Frequency (MHz)	Sub-Type	Termination	Taped & Reeled

FINAL QUALITY INSPECTION

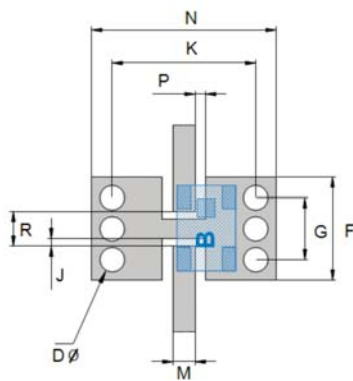
Finished parts are 100% tested for electrical parameters and visual/mechanical characteristics. Each production lot is evaluated on a sample basis for:

- Static Humidity: 85°C, 85% RH, 160 hours
- Endurance: 125°C, I_R, 4 hours

TERMINATION

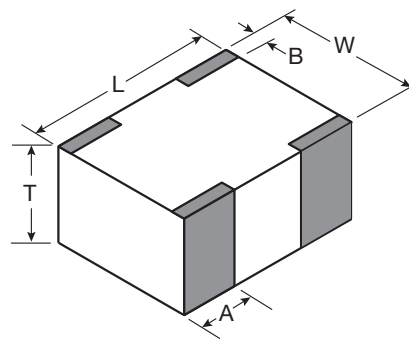
Nickel/ Lead free Solder coating (Sn100) compatible with automatic soldering technologies: reflow, wave soldering, vapor phase and manual.

RECOMMENDED PAD LAYOUT mm (inches)



F	2.50±0.05 (0.098±0.002)
G	1.50±0.05 (0.059±0.002)
J	0.19±0.05 (0.007±0.002)
K	3.48±0.05 (0.137±0.002)
M	0.54±0.25 (0.021±0.010)
N	4.48±0.05 (0.776±0.002)
P	0.25±0.05 (0.010±0.002)
R	0.85±0.05 (0.033±0.002)
D	0.60±0.05 (0.024±0.002)

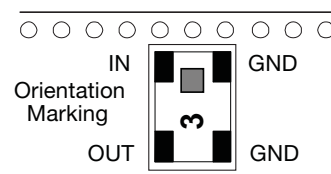
DIMENSIONS (Top View)



mm (inches)

L	2.03±0.10 (0.080±0.004)
W	1.55±0.10 (0.061±0.004)
T	0.80±0.10 (0.031±0.004)
A	0.56±0.25 (0.022±0.010)
B	0.35±0.15 (0.014±0.006)

TERMINALS AND LAYOUT (Top View)



LP0805 High Performance Low Pass Filter **AVX RF**

LP0805H4000ASTR

ELECTRICAL CHARACTERISTICS

P/N	Frequency	I.Loss @ 4000MHz	R.Loss @ 4000MHz	Attenuation
LP0805H4000ASTR	4000MHz	-0.8dB max.	-20dB	-40dB at 5600MHz -35dB at 8000MHz -35dB at 10000MHz -25dB at 12000MHz

TYPICAL ELECTRICAL PERFORMANCE

