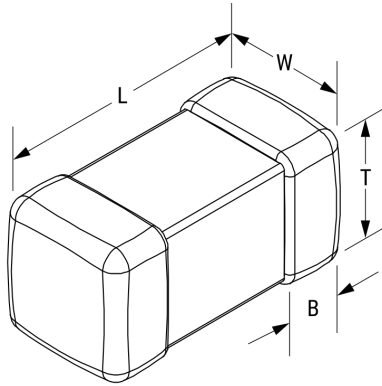


L0806C2R2MDWST

Aliases (L0806C2R2MDWST)

Not for New Design • Scheduled EOL - Last date to buy 30 JUN 2023

KEMET, L-DWS, Power, 2.2 uH, 20%



Click [here](#) for the 3D model.

Dimensions

| | |
|-----------|----------------|
| Chip Size | 0806 |
| L | 2mm +/-0.2mm |
| W | 1.6mm +/-0.2mm |
| T | 1.6mm +/-0.2mm |
| LL | 0.5mm +/-0.2mm |
| B | 0.5mm +/-0.2mm |

Packaging Specifications

| | |
|--------------------|------|
| Packaging | T&R |
| Packaging Quantity | 2000 |

General Information

| | |
|-------------|--|
| Series | L-DWS |
| Style | SMD Chip |
| Description | Surface Mount Inductor |
| Features | Standard Type |
| RoHS | Yes |
| Notes | Last Order Date June 30, 2023. Suggested Replacement - https://www.chilisin.com/en-global/Inductor/Product/BKPB_201610/BKPB002016102R2MA2 . |

Specifications

| | |
|-------------------------|---|
| Inductance | 2.2 uH (7.96 MHz) |
| Inductance Tolerance | 20% |
| Temperature Range | -40/+105°C |
| Current | 510 mAmps (Isat, 30% Drop In Inductance), 1000 mAmps (Irms, 40C Rise By Self Heating) |
| DC Resistance | 0.13 Ohms |
| Self-Resonant Frequency | 70 MHz |