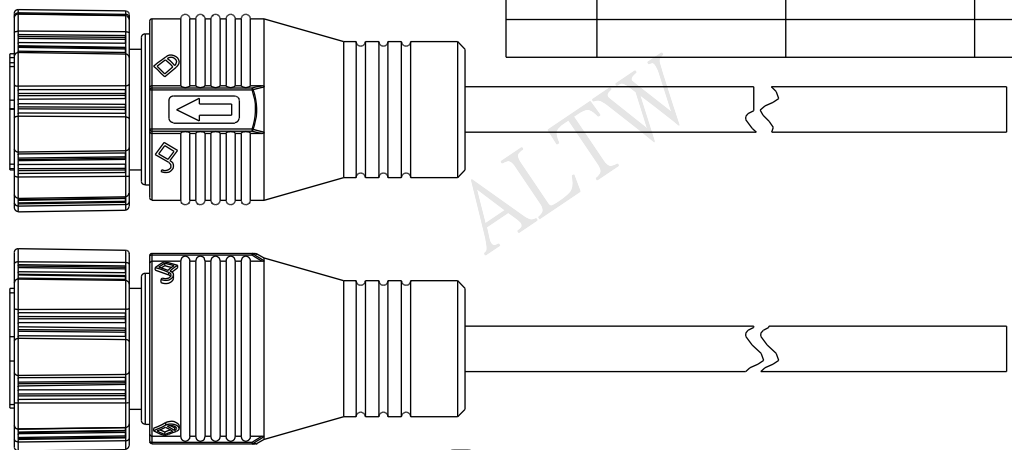
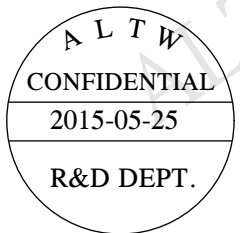


THIS DOCUMENT IS SUBJECT TO CHANGE WITHOUT NOTICE. IT IS CONFIDENTIAL AND A PROPERTY OF AMPHENOL LTW. DISCLOSURE TO THIRD PARTY HAS TO BE AUTHORIZED BY AMPHENOL LTW.

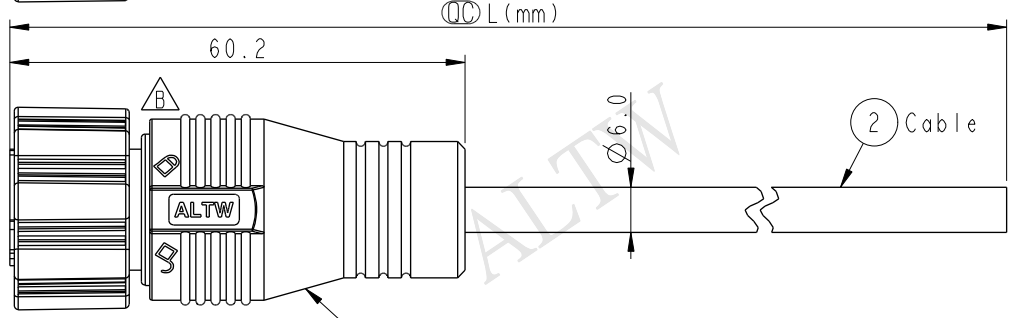
REV.	ECN NO.	DATE	SIGN	DESCRIPTION
B	LEN1550159-162	2015/05/25	Vicky	Update Logo



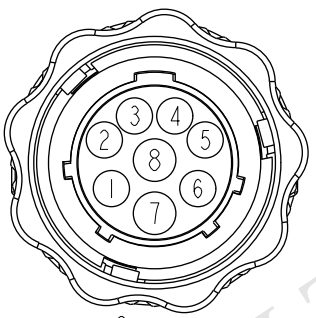
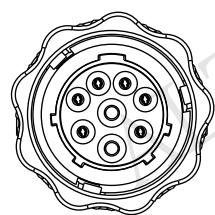
GBD-08BFFM-TL7AXX

XX: 01~99Meter  
 01: 01Meter  
 02: 02Meters  
 ...  
 99: 99Meters

Cable Length(L): 01~99Meters



1 GBD-08BFFM-TL7000  
 Black



Conn.  
 Pin Assignments  
 Front View

1	Black (24AWG)	黑
2	Brown (24AWG)	棕
3	Red (24AWG)	紅
4	Orange (24AWG)	橘
5	Yellow (24AWG)	黃
6	Purple (24AWG)	紫
7	Green (20AWG)	綠
8	Blue (20AWG)	藍
Conn.	Wire Color	

Note:

- \*  $\varnothing$  Important Dimension To Check
- \* Waterproof Rate: IP67
- \* Connector: PBT+PC, Black
- \* Female Pin: Copper Alloy, Gold Plated
- \* Cable: UL2464 (20#\*2C+24#\*6C)+D+A, Black, PVC Jacket, UV Resistant, OD=6.0mm
- \* Cable Length Tolerance:
  - 01M~40mm
  - 02M~05M: ±60mm
  - 06M~10M: ±100mm
  - 11M~30M: ±200mm
  - 31M~99M: ±500mm

UNIT:mm	
TOLERANCE	±0.5 mm

TITLE 三點卡合 G Size Cable Lock 8P F Conn F Pin			
SCALE 1:1	SIZE A4	SHEET 1 OF 1	
REV. B	WC-REV. A.1	$\varnothing$ : Inspection item	

**Amphenol LTW**  
 安費諾亮泰企業股份有限公司

ITEM NO	DRAWN BY Vicky	DATE 2015-05-25
DWG NO GBD-08BFFM-TL7AXX	CHECKED BY Rita	DATE 2015-05-25
CUSTOMER ALTW	APPROVED BY Lion	DATE 2015-05-25