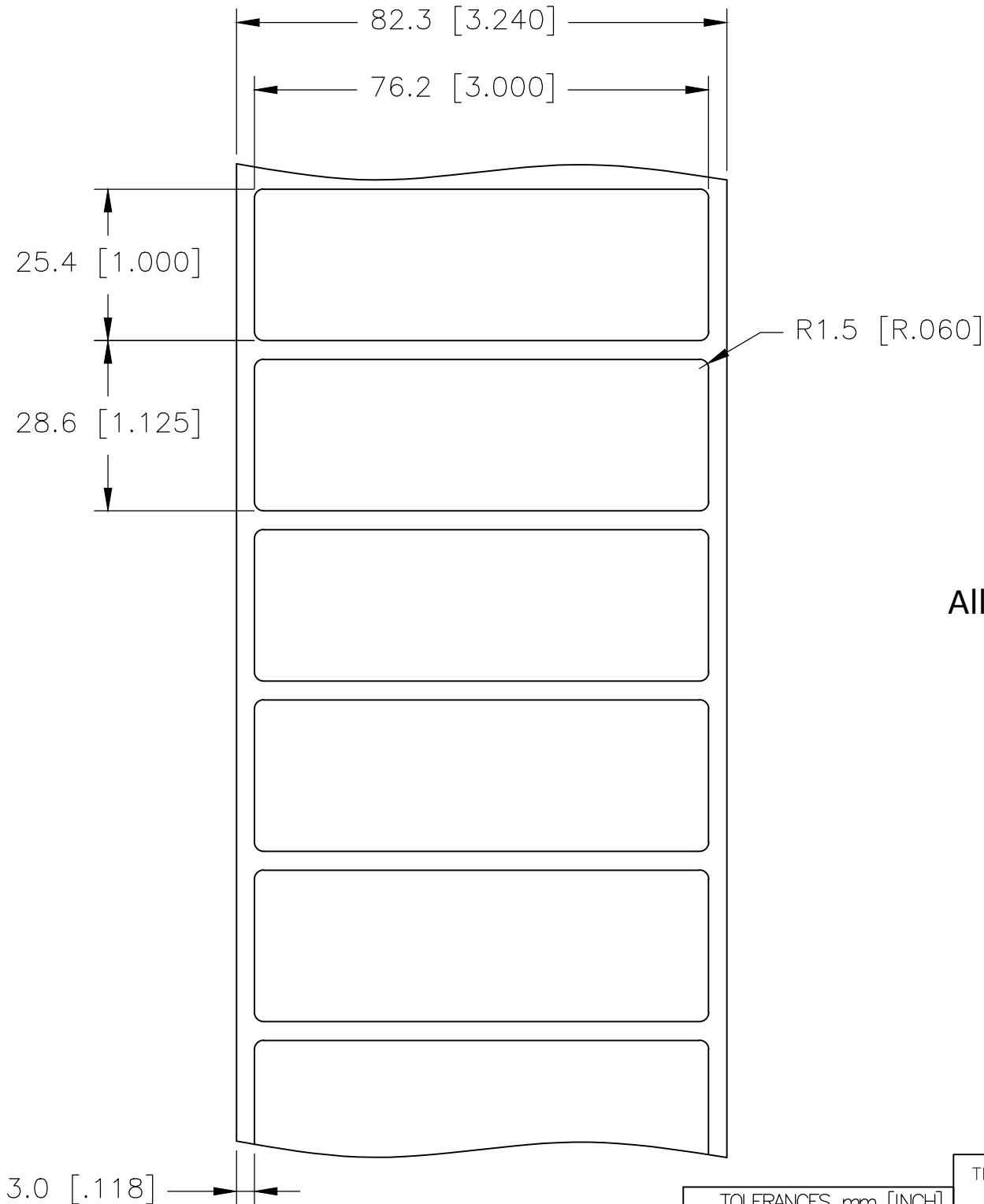
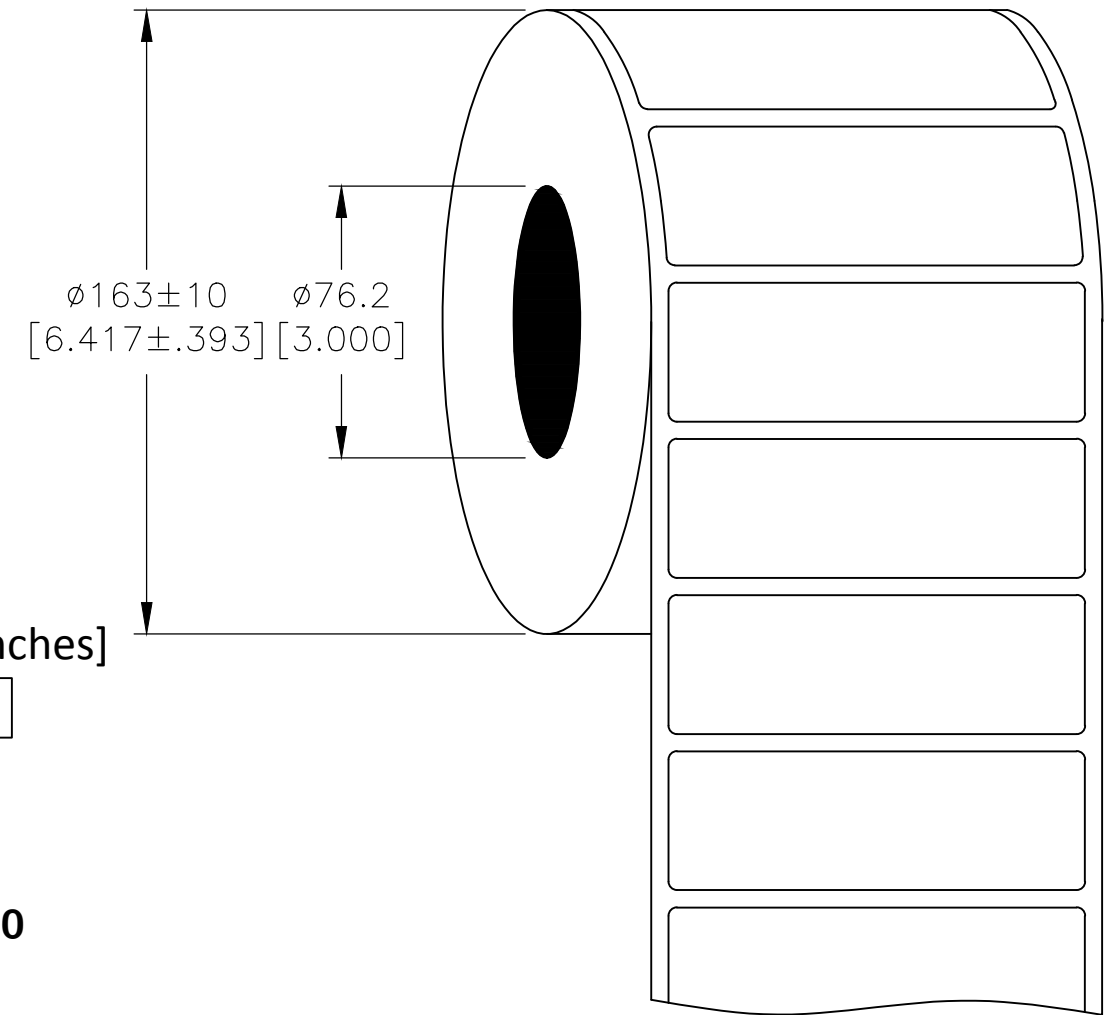


P	LTR	DESCRIPTION	DATE	DWN	APVD
	B	INITIAL RELEASE	15OCT2020	GK	MN

LABEL AND LINER DESIGN



PRESENTATION



All dimensions in mm [Inches]

TE PN: E56997-000

**OUTSIDE WOUND
LABEL ACROSS: 1
PER ROLL QTY: 5000**

MATERIAL	HIGH TACK MATTE METALIZED POLYESTER
ADHESIVE TYPE	PERMANENT ACRYLIC
LINER	GLASSINE PAPER

THIS DRAWING IS A CONTROLLED DOCUMENT.

TOLERANCES mm [INCH]	
LABEL HEIGHT:	±0.3 [.012]
LABEL WIDTH:	±0.3 [.012]
WEB WIDTH:	±0.8 [.031]
VERTICAL REPEAT:	±0.8 [.031]*
HORIZONTAL REPEAT:	±0.8 [.031]*
PRINT POSITIONING:	±0.8 [.031]*
LEFT MARGIN:	±0.4 [.016]
QUANTITY:	-0 % +2 %
*NON ACCUMULATING	

DIMENSIONS:	TOLERANCES UNLESS OTHERWISE SPECIFIED:
mm [INCHES]	
	0 PLC ± -
	1 PLC ± -
	2 PLC ± -
	3 PLC ± -
	4 PLC ± -
ANGLES	± -
MATERIAL	FINISH
SEE TABLE	-

DWN	15OCT2020	TE Connectivity			
CHK	GOPALAKRISHNA HV				
APVD	MIKE NUTTALL				
APVD	MIKE NUTTALL				
PRODUCT SPEC	TTDS-118	NAME	HMM - HIGH TACK MATTE METALIZED POLYESTER LABELS		
APPLICATION SPEC	-	SIZE	CAGE CODE	DRAWING NO	RESTRICTED TO
WEIGHT	0.252g	A3	C2290	C-HMM-762254-5-8A	-
CUSTOMER DRAWING			SCALE	SHEET	REV
			NTS	1 OF 1	B