

DRV8434S Evaluation Module User's Guide



Abstract

This document is provided with the DRV8434S evaluation module (EVM) as a supplement to the DRV8434S stepper motor driver datasheet. This user's guide details the hardware implementation of the EVM. Details on using the graphical user interface (GUI) software with this EVM can be found in the DRV8434SEVM GUI User's Guide.

Table of Contents

Abstract	1
1 Board Overview	2
2 Introduction	3
2.1 Connectors.....	3
2.2 Test Points.....	3
2.3 Jumpers.....	4
2.4 Motor Outputs.....	4
2.5 EVM Operation.....	4
2.6 EVM documentation.....	4

Trademarks

MSP430™ is a trademark of Texas Instruments.
All trademarks are the property of their respective owners.

1 Board Overview



WARNING

The EVM is rated for power supply voltages between 4.5 VDC and 48 VDC max. The components can support peak output currents up to a maximum 4A. To minimize risk of personal injury, fire and/or property damage, always maintain component temperatures below the 130°C rating of the printed circuit board material.

Figure 1-1 shows the top view of the printed circuit board (PCB)

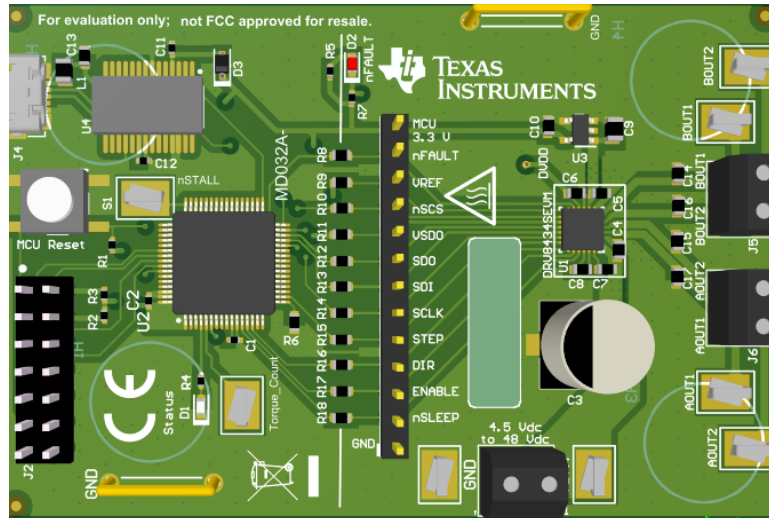


Figure 1-1. Top View of Typical Board Configuration (EVM provided may vary)

2 Introduction

The DRV8434SEVM is a platform to support prototyping and evaluation for the DRV8434S device, a medium-voltage dual H-bridge driver for stepper driving applications with analog stall detection function.

The EVM uses an MSP430™ microcontroller and a USB interface chip to manage communication from the GUI software application installed on a computer. The GUI sends serial commands to the MSP430 to control the device signals, monitor faults, and drive a motor.

This user's guide details the hardware configurability of the evaluation module.

2.1 Connectors

The DRV8434SEVM supplies the VM (motor voltage) power rail through the terminal block (J1). A set of test clips in parallel with the terminal block provide connections to monitor the input power rail.

The user must apply the VM voltage according to the recommended parameters listed in the datasheet of the device populated on the EVM (should be labeled on the EVM).

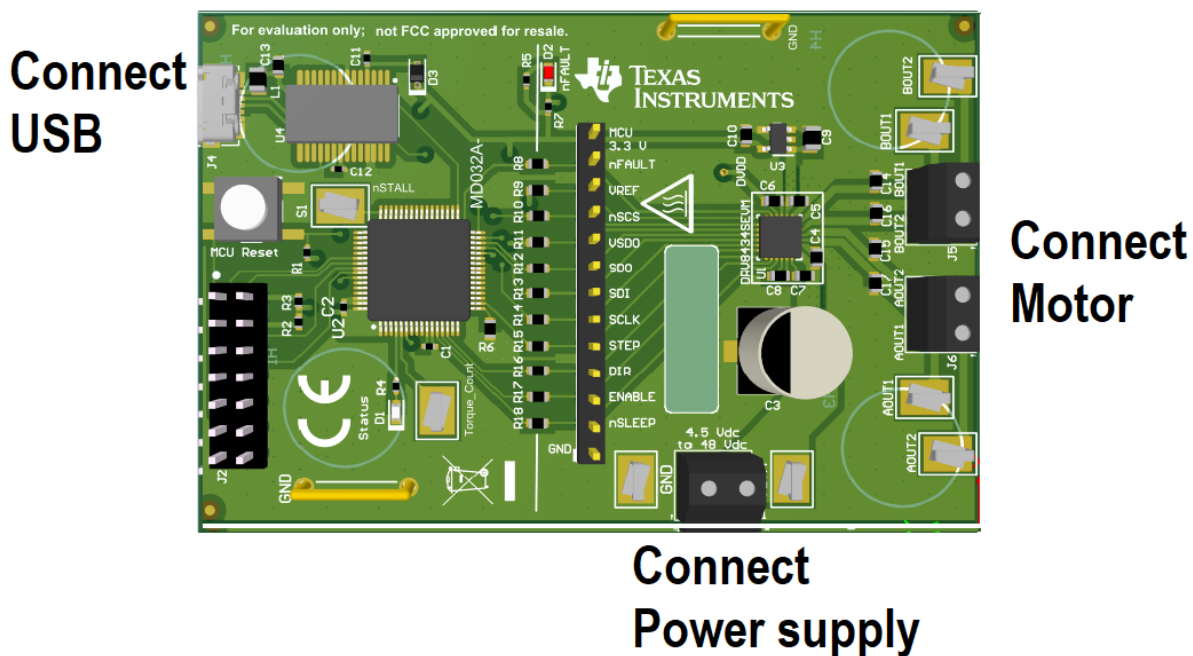


Figure 2-1. Board Connections

2.2 Test Points

A header connector with 0.100-inch pitch (J3) provides access to the DRV8434S signals. This can be used for measurement or as a connector to control the DRV8434S from an external microcontroller for prototype purposes. To disconnect the on-board MSP430 microcontroller, remove related zero ohm resistors between the MSP430 and the J3 header. [Table 2-1](#) describes the connections available on the J3 header. Each header pin is labeled on the evaluation module and connects to the corresponding pin of the DRV8434S.

Table 2-1. Connections to the DRV8434S Using External Microcontroller

Header Label	Description
MCU 3.3V	3.3 V rail for the on-board MSP430 and nFAULT LED.
nFAULT	Fault output.
VREF	Current setting reference input.
nSCS	Serial chip select.
VSDO	Supply pin for SDO output.
SDO	Serial data output.
SDI	Serial data input.

Table 2-1. Connections to the DRV8434S Using External Microcontroller (continued)

Header Label	Description
SCLK	Microstepping mode-setting pin.
STEP	STEP pin.
DIR	DIR pin.
ENABLE	Enable pin.
nSLEEP	Sleep mode input.
GND	Ground.

2.3 Jumpers

The DRV8434SEVM has no jumpers.

2.4 Motor Outputs

Two motor connectors are provided (J5 and J6).

2.5 EVM Operation

Use the following steps to operate the EVM:

1. Install the drivers and GUI. For instructions see [DRV8434SEVM GUI User's Guide](#).
2. Connect the wires of the stepper motor to the AOUT1, AOUT2, BOUT1, and BOUT2 terminals.
3. Connect the VM power supply to VM connections, but do not turn on power yet.
4. Connect the USB cable between the PC and the EVM. When the USB is connected to the EVM, the status LED will begin to blink.
5. Download and install the DRV8434S GUI from www.ti.com. Run the GUI program. The GUI can take up to 30 seconds to establish a connection with the EVM. If connection is not established, try manually selecting the correct COM port under the *Options* menu. The baud rate should be 115200.
6. Apply the desired voltage to the VM and GND connections.
7. For more instructions on how to control the DRV8434SEVM using the GUI, refer the [DRV8434SEVM GUI User's Guide](#).

2.6 EVM documentation

The EVM schematics, layout, and BOM are provided in the [DRV8434SEVM hardware files](#). The GUI, USB drivers, and MSP430F2617 source code are provided in the DRV8434SEVM firmware and GUI software files.

IMPORTANT NOTICE AND DISCLAIMER

TI PROVIDES TECHNICAL AND RELIABILITY DATA (INCLUDING DATASHEETS), DESIGN RESOURCES (INCLUDING REFERENCE DESIGNS), APPLICATION OR OTHER DESIGN ADVICE, WEB TOOLS, SAFETY INFORMATION, AND OTHER RESOURCES "AS IS" AND WITH ALL FAULTS, AND DISCLAIMS ALL WARRANTIES, EXPRESS AND IMPLIED, INCLUDING WITHOUT LIMITATION ANY IMPLIED WARRANTIES OF MERCHANTABILITY, FITNESS FOR A PARTICULAR PURPOSE OR NON-INFRINGEMENT OF THIRD PARTY INTELLECTUAL PROPERTY RIGHTS.

These resources are intended for skilled developers designing with TI products. You are solely responsible for (1) selecting the appropriate TI products for your application, (2) designing, validating and testing your application, and (3) ensuring your application meets applicable standards, and any other safety, security, or other requirements. These resources are subject to change without notice. TI grants you permission to use these resources only for development of an application that uses the TI products described in the resource. Other reproduction and display of these resources is prohibited. No license is granted to any other TI intellectual property right or to any third party intellectual property right. TI disclaims responsibility for, and you will fully indemnify TI and its representatives against, any claims, damages, costs, losses, and liabilities arising out of your use of these resources.

TI's products are provided subject to TI's Terms of Sale (www.ti.com/legal/termsofsale.html) or other applicable terms available either on ti.com or provided in conjunction with such TI products. TI's provision of these resources does not expand or otherwise alter TI's applicable warranties or warranty disclaimers for TI products.

Mailing Address: Texas Instruments, Post Office Box 655303, Dallas, Texas 75265
Copyright © 2020, Texas Instruments Incorporated