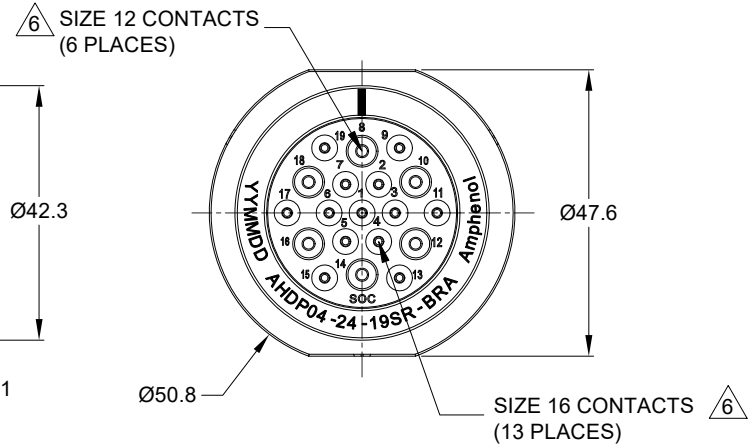


REVISIONS					
REV	ECO	DESCRIPTION	DATE	BY	APPR
A1	-	RELEASE NEW DRAWING	01MAR22	VITO	TOMMY

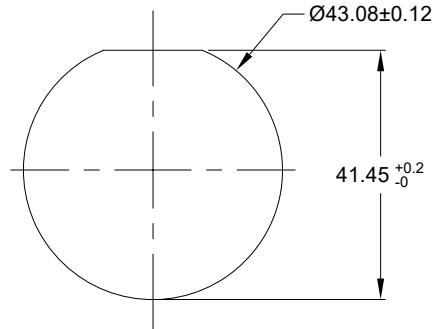


NOTES: UNLESS OTHERWISE SPECIFIED

- MATERIAL:  
HOUSING: THERMOPLASTIC; BLACK  
SEAL: SILICONE RUBBER
- MODIFICATIONS: BACKSHELL RING ADAPTER (BRA);  
REDUCED DIA. WIRE SEAL.
- SPECIFICATIONS:
  - OPERATING TEMPERATURE: -55°C TO +125°C.
  - DIELECTRIC WITHSTANDING VOLTAGE: LESS THAN 2 MILLIAMPS CURRENT LEAKAGE @ 1500 VOLTS AC.
  - INSULATION RESISTANCE: 1000 MEGOHM MIN @ 25°C.
  - MOISTURE RESISTANCE:  
IP68 (IM OF WATER FOR A PERIOD OF 24 HOURS, MATED CONDITION);  
IP69K (MATED CONDITION)
  - MATING CYCLE DURABILITY: 100 CYCLES
  - RoHS COMPLIANT
- MATING PART: AHDPO6-24-19P\* (\* = SEAL TYPE)
- ALL DIMENSIONS ARE FOR REFERENCE USE ONLY.

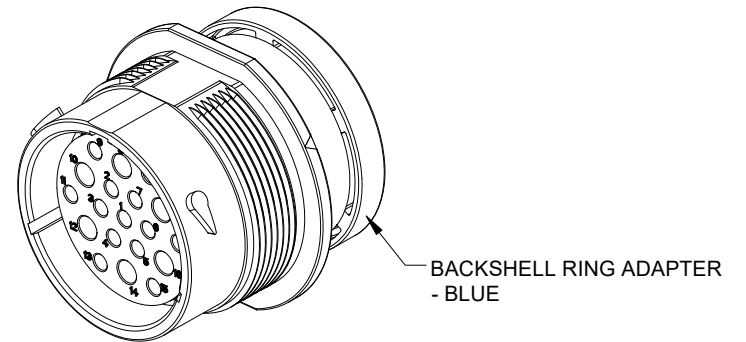
△ CONTACT SIZE AND WIRE RANGE:

CONTACT SIZE	MIN. INSUL O.D.	MAX. INSUL O.D.	TYPICAL WIRE RANGE	CURRENT RATING
12	2.46 mm (.097 in)	4.01 mm (.158 in)	10-14 AWG (6.0-2.0mm <sup>2</sup> )	25 AMPS
16	1.35 mm (.053 in)	3.05 mm (.120 in)	14-20 AWG (2.0-0.5mm <sup>2</sup> )	13 AMPS



RECOMMENDED PANEL MOUNTING HOLE

RECOMMENDED PANEL THICKNESS: 1.6 TO 4.7MM



QUANTITY	AHDPO4-24-19SR-BRA	REF:HDP24-24-19SE-L017	ITEM
	PART NUMBER	DESCRIPTION	

MATERIALS LIST			
<b>UNLESS OTHERWISE SPECIFIED</b> 1) All dimensions are in metric (mm). 2) Tolerances are as follows: 1 PL DEC ±0.30 Fractions ±1/64 2 PL DEC ±0.15 Angles ±1° 3 PL DEC ±0.08 3) Note reference = △		<b>SIGNATURES DATE</b> DRAWN: VITOLI 01MAR22 CHECKED: SULLENZHANG 02MAR22 APPROVAL: TOMMY XIE 03MAR22	
<b>MATERIAL SPECIFICATIONS:</b> WEIGHT: 52.6g		<b>CUSTOMER:</b> THIS DRAWING IS SUPPLIED FOR INFORMATION ONLY. DESIGN FEATURES, SPECIFICATIONS AND PERFORMANCE DATA SHOWN HEREON ARE THE PROPERTY OF THE AMPHENOL CORPORATION. NO RIGHTS OF REPRODUCTION ARE IMPLIED. ALL DIMENSIONS ARE SUBJECT TO NORMAL MANUFACTURING VARIATIONS.	
<b>PROCESS SPECIFICATIONS:</b>		<b>SCALE:</b> NONE	
<b>NEXT ASSY:</b>		<b>SIZE TYPE DWG NO. REVISION</b> B C- AHDPO4-24-19SR-BRA A1	
<b>SCALE:</b> NONE		<b>DURAMATE SHEET 1 OF 1</b>	

7. RECEPTACLE IS SUPPLIED WITH DUST CAP.

TITLE: 19POS RECEPTACLE SOCKET, SIZE 24, RD SEAL, BRA, DURAMATE AHDP  
 DWG NO.: AHDPO4-24-19SR-BRA  
 REV: A1  
 SH: 1  
 OF: 1