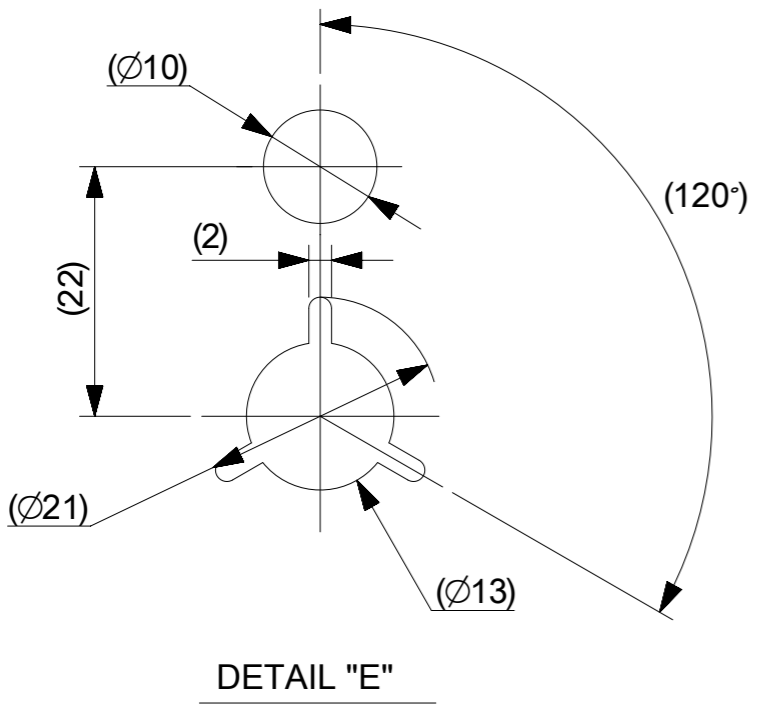
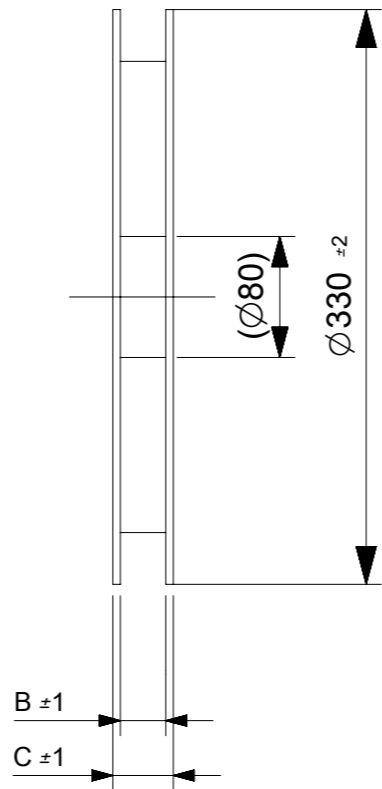
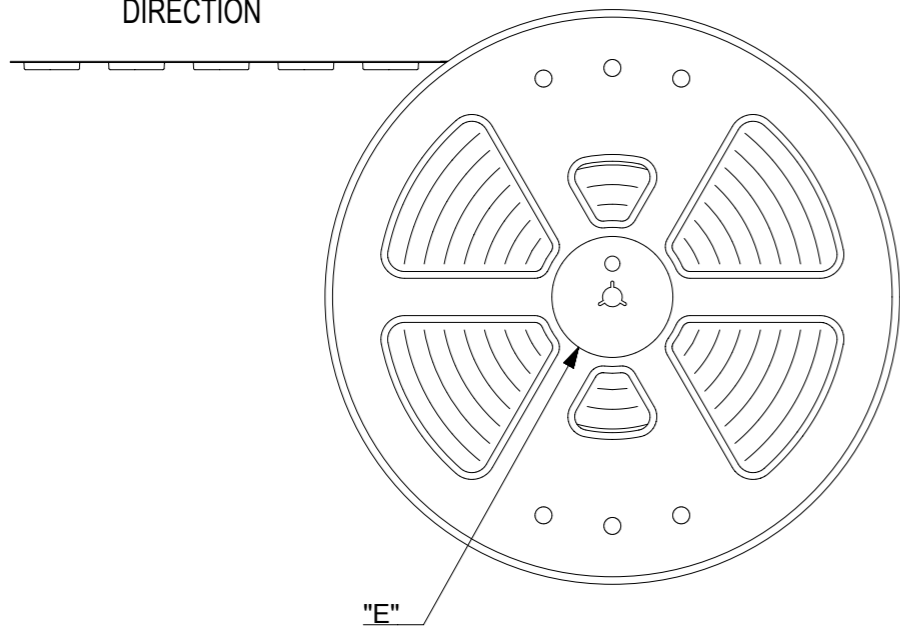


引き出し方向

PULL OUT
DIRECTION

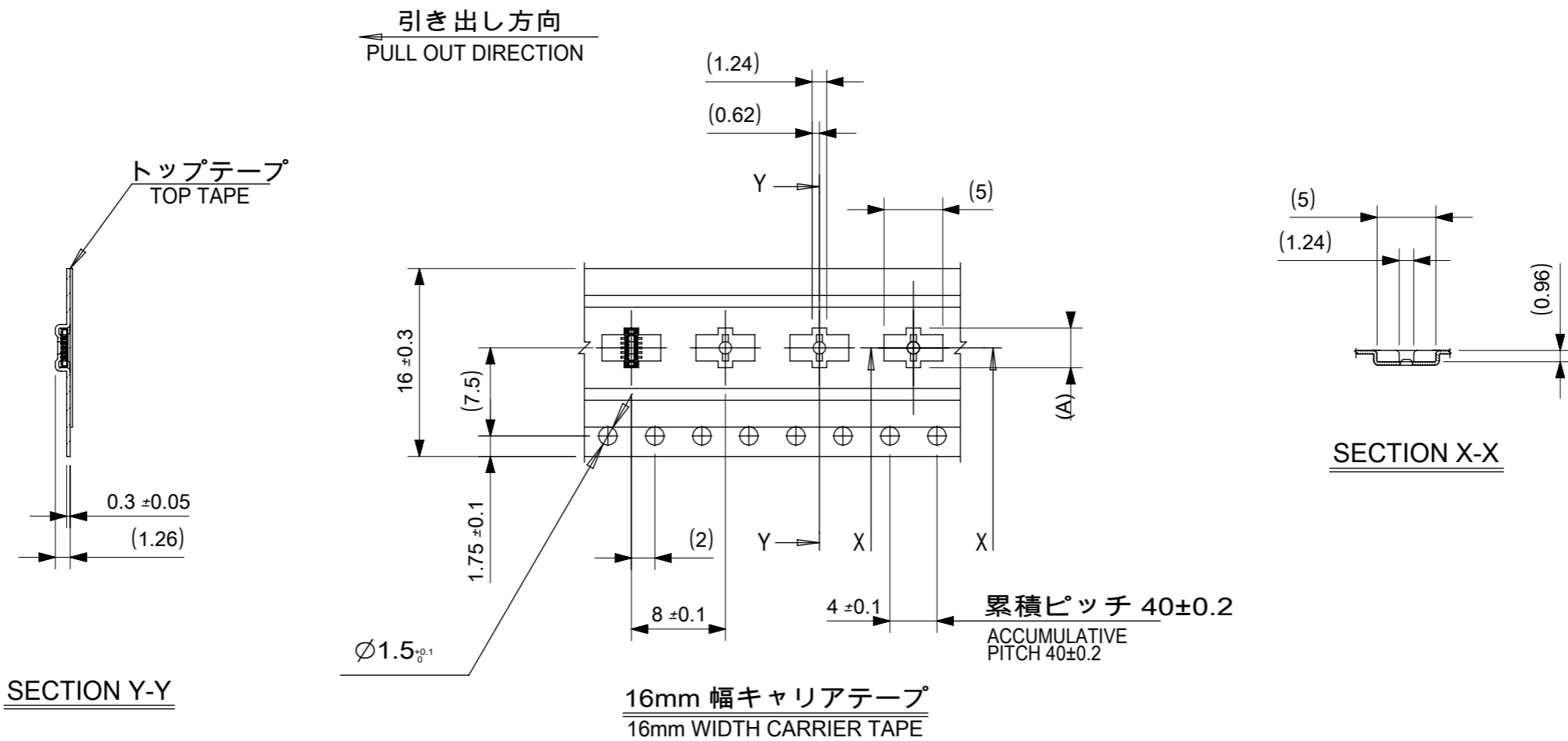


DETAIL "E"

NOTES

- 梱包数量 : 3000個 / リール
NUMBER OF CONNECTORS : 3000PCS/REEL.
- リードテープ長さ
LEAD TAPE LENGTH.
- トップテープの剥離強度については、IEC60286-3に準拠。
TOP TAPE PEEL FORCE IS DEFINED BY IEC60286-3.
- 製品詳細寸法については製品単体図面を参照下さい。
FOR DETAILED DIMENTIONS, SEE PRODUCT DRAWOING.
- 材料 MATERIAL
キャリアテープ(CARRIER TAPE):ポリスチレン(POLYSTYRENE)
トップテープ(TOP TAPE):PET, OTHER
リール(REEL):ポリスチレン(PS)リサイクル材を含む
POLYSTYRENE(PS) RECYCLE MATERIAL CONTAINED
- ELV及びRoHS適合品
ELV AND RoHS COMPLIANT.

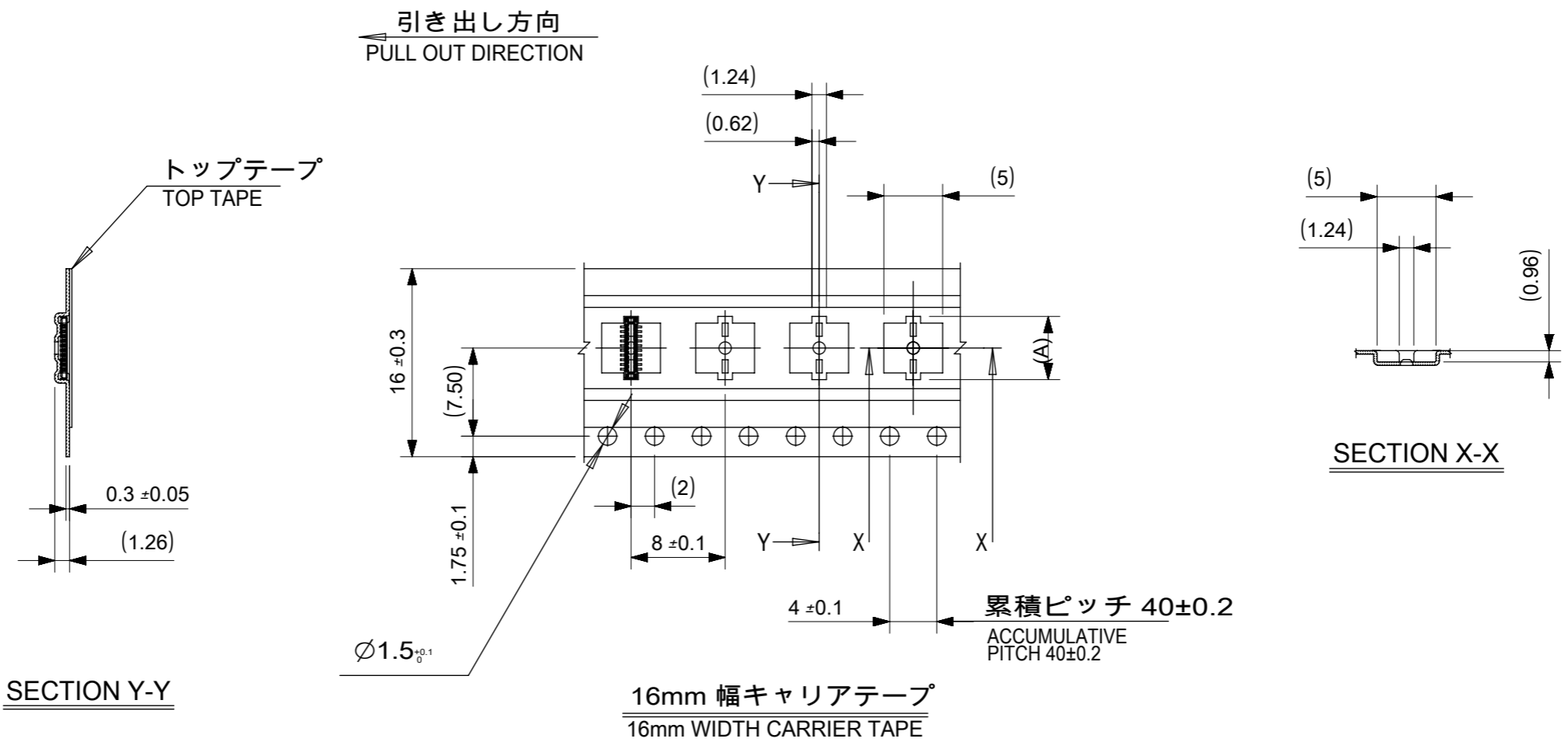
THIS DRAWING CONTAINS INFORMATION THAT IS PROPRIETARY TO MOLEX ELECTRONIC TECHNOLOGIES, LLC AND SHOULD NOT BE USED WITHOUT WRITTEN PERMISSION									
EC NO: 106015 DRWN: YISHIDA CHK'D: KTANAKA03 APPR: KMORIKAWA	2016/02/24	GENERAL TOLERANCES (UNLESS SPECIFIED)		DIMENSION UNITS	SCALE	molex [®]			
	2016/06/28	ANGULAR TOL ± °		MM	1:1				
	2016/06/28	4 PLACES ±	DRWN BY	DATE		0.4BB H=0.8 ST8 PLUG ASSY. EMBSTP PKG			
		3 PLACES ±	YISHIDA	2016/02/24					
		2 PLACES ±	CHK'D BY	DATE		PRODUCT CUSTOMER DRAWING			
		1 PLACE ±	KTANAKA03	2016/06/28					
	0 PLACES ±	APPR BY	DATE		SERIES	MATERIAL NUMBER	CUSTOMER		
		KMORIKAWA	2016/06/28		504248	SEE SHEET 2,3 & 4	GENERAL		
		DRAWING SIZE	THIRD ANGLE PROJECTION		DOCUMENT NUMBER		DOC TYPE	DOC PART	SHEET NUMBER
		A3			5042480000		PSD	000	1 OF 4
DRAFT WHERE APPLICABLE MUST REMAIN WITHIN DIMENSIONS									



16	21.4	17.4	3.38	504248-1010	○	---	10
キャリアテープ幅 CARRIER TAPE WIDTH	C	B	(A)	MATERIAL No.	量産品 MASS PRODUCTION	試作対応 LOW VOL. TOOL	極数 CIRCUIT
					サンプル供給 SAMPLE PREPARATION		
MODEL No.						504248-**10	

THIS DRAWING CONTAINS INFORMATION THAT IS PROPRIETARY TO MOLEX ELECTRONIC TECHNOLOGIES, LLC AND SHOULD NOT BE USED WITHOUT WRITTEN PERMISSION

EC NO: 106015 DRWN: YISHIDA CHK'D: KTANAKA03 APPR: KMORIKAWA	2016/02/24	GENERAL TOLERANCES (UNLESS SPECIFIED)	DIMENSION UNITS	SCALE					
	2016/06/28	ANGULAR TOL ± °	MM	2:1					
	2016/06/28	4 PLACES ±	DRWN BY	DATE		0.4BB H=0.8 ST8 PLUG ASSY. EMBSTP PKG			
		3 PLACES ±	YISHIDA	2016/02/24					
		2 PLACES ±	CHK'D BY	DATE		PRODUCT CUSTOMER DRAWING			
	1 PLACE ±	KTANAKA03	2016/06/28						
	0 PLACES ±	APPR BY	DATE		SERIES	MATERIAL NUMBER	CUSTOMER		
					504248	SEE CHART	GENERAL		
		DRAFT WHERE APPLICABLE MUST REMAIN WITHIN DIMENSIONS	DRAWING SIZE	THIRD ANGLE PROJECTION	DOCUMENT NUMBER		DOC TYPE	DOC PART	SHEET NUMBER
A	REV		A3		5042480000		PSD	000	2 OF 4



16	21.4	17.4	6.18	504248-2410	○	---	24
			5.38	504248-2010	○	---	20
			4.58	504248-1610	○	---	16
			3.78	504248-1210	○	---	12
キャリアテープ幅 CARRIER TAPE WIDTH	C	B	(A)	MATERIAL No.	量産品 MASS PRODUCTION	試作対応 LOW VOL. TOOL	極数 CIRCUIT
				サンプル供給 SAMPLE PREPARATION			
				MODEL No.		504248-**10	

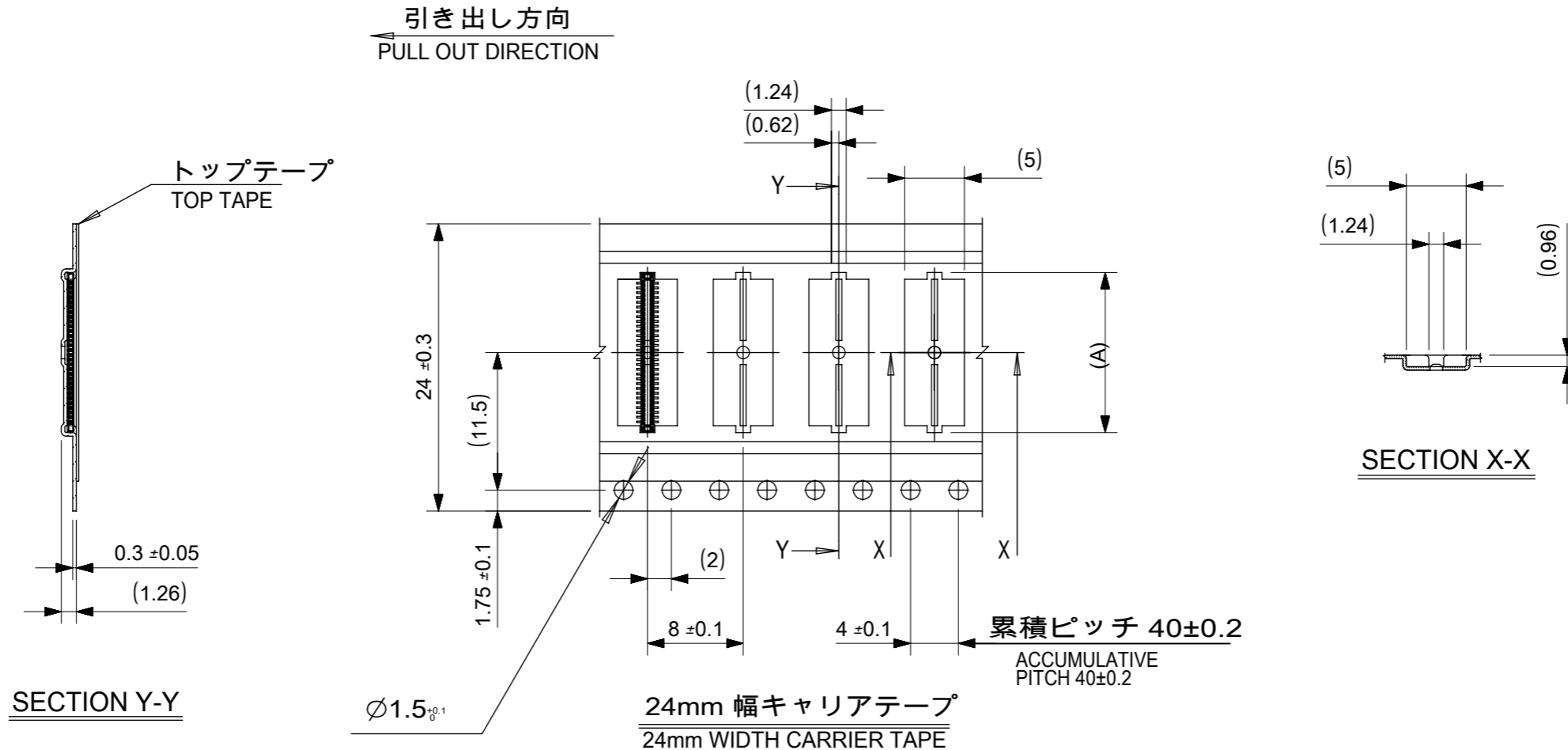
THIS DRAWING CONTAINS INFORMATION THAT IS PROPRIETARY TO MOLEX ELECTRONIC TECHNOLOGIES, LLC AND SHOULD NOT BE USED WITHOUT WRITTEN PERMISSION

EC NO: 106015 DRWN: YISHIDA CHK'D: KTANAKA03 APPR: KMORIKAWA	2016/02/24	GENERAL TOLERANCES (UNLESS SPECIFIED)	DIMENSION UNITS	SCALE					
	2016/06/28	ANGULAR TOL ± °	MM	2:1					
	2016/06/28	4 PLACES ±	DRWN BY	DATE					
		3 PLACES ±	YISHIDA	2016/02/24					
		2 PLACES ±	CHK'D BY	DATE					
		1 PLACE ±	KTANAKA03	2016/06/28					
	0 PLACES ±	APPR BY	DATE	PRODUCT CUSTOMER DRAWING					
					SERIES	MATERIAL NUMBER	CUSTOMER		
					504248	SEE CHART	GENERAL		
					DOCUMENT NUMBER		DOC TYPE	DOC PART	SHEET NUMBER
					5042480000		PSD	000	3 OF 4

DRAFT WHERE APPLICABLE MUST REMAIN WITHIN DIMENSIONS

A3

THIRD ANGLE PROJECTION



24	29.4	25.4	11.38	504248-5010	○	---	50
			9.38	504248-4010	○	---	40
			8.98	504248-3810	○	---	38
			8.18	504248-3410	○	---	34
			7.38	504248-3010	○	---	30
キャリアテープ幅 CARRIER TAPE WIDTH	C	B	(A)	MATERIAL No.	量産品 MASS PRODUCTION	試作対応 LOW VOL. TOOL	極数 CIRCUIT
					サンプル供給 SAMPLE PREPARATION		
				MODEL No.		504248-**10	

THIS DRAWING CONTAINS INFORMATION THAT IS PROPRIETARY TO MOLEX ELECTRONIC TECHNOLOGIES, LLC AND SHOULD NOT BE USED WITHOUT WRITTEN PERMISSION

EC NO: 106015 DRWN: YISHIDA CHK'D: KTANAKA03 APPR: KMORIKAWA	2016/02/24	GENERAL TOLERANCES (UNLESS SPECIFIED) ANGULAR TOL ± ° 4 PLACES ± 3 PLACES ± 2 PLACES ± 1 PLACE ± 0 PLACES ±	DIMENSION UNITS	SCALE				
	2016/06/28		MM	2:1				
	2016/06/28		DRWN BY	DATE		0.4BB H=0.8 ST8 PLUG ASSY. EMBSTP PKG		
			YISHIDA	2016/02/24				
			CHK'D BY	DATE		PRODUCT CUSTOMER DRAWING		
			KTANAKA03	2016/06/28				
	APPR BY	DATE	SERIES	MATERIAL NUMBER	CUSTOMER			
	KMORIKAWA	2016/06/28	504248	SEE CHART	GENERAL			
			DRAWING SIZE	THIRD ANGLE PROJECTION	DOCUMENT NUMBER	DOC TYPE	DOC PART	SHEET NUMBER
			A3		5042480000	PSD	000	4 OF 4

注記 NOTES

1. 使用材料 MATERIAL

ハウジング：液晶ポリマー (LCP)UL94V-0 (黒)
HOUSING : LIQUID CRYSTAL POLYMER(LCP), UL94V-0.(COLOR: BLACK)

ターミナル：銅合金
TERMINAL : COPPER ALLOY

補強金具：銅合金
FITTING NAIL : COPPER ALLOY

2. メッキ仕様 PLATING

ターミナル TERMINAL

金メッキ
GOLD

下地：ニッケルメッキ
UNDER PLATING : NICKEL

※コンタクト部とテール部はニッケルメッキによって分断されている金メッキです。
DIVIDE INTO PARTS THE GOLD PLATING OF THE CONTACT AND THE TAIL PART BY THE NICKEL PLATING.

補強金具 FITTING NAIL

金メッキ(テール部のみ)
GOLD(ONLY TAIL PART)

下地：ニッケルメッキ
UNDER PLATING : NICKEL OVERALL

△ (全極数 / 2) = 偶数の場合に適用。
APPLY FOR (CIRCUIT/2)=EVEN.

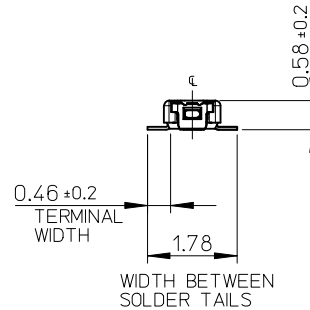
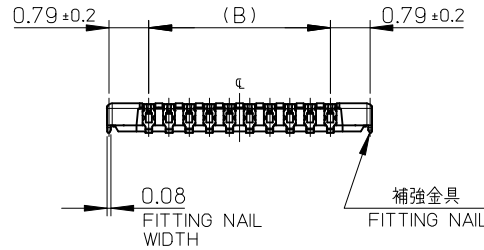
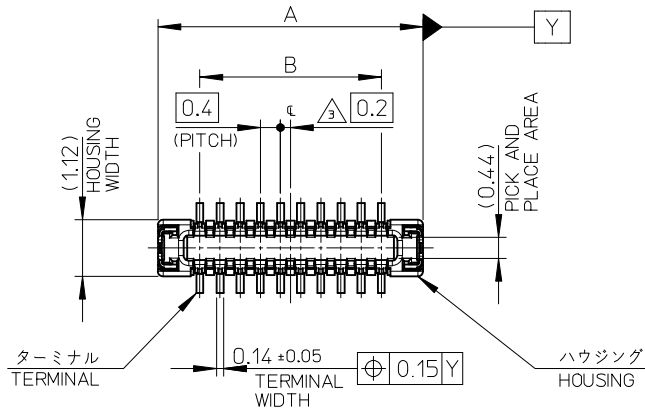
4. 嵌合相手：504208 シリーズ
MATE WITH : 504208 SERIES.

5. テール平坦度は、0.08 以下。
テール及び金具の平坦度は、0.1 以下。
TAIL COPLANARITY TO BE 0.08MAXIMUM.
TAIL AND FITTING NAIL COPLANARITY TO BE 0.1MAXIMUM.

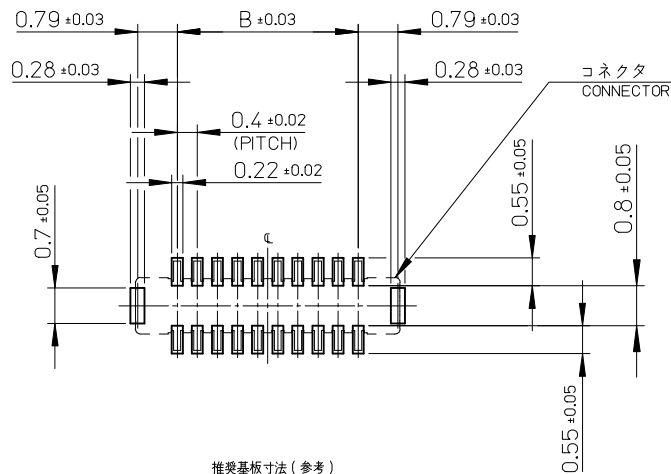
6. ELV 及び RoHS適合品
ELV AND RoHS COMPLIANT.

9.6	11.26	504248-5010	○	---	50
5.6	7.26	504248-3010	○	---	30
4.4	6.06	504248-2410	○	---	24
3.6	5.26	504248-2010	○	---	20
2.8	4.46	504248-1610	○	---	16
2.0	3.66	504248-1210	○	---	12
1.6	3.26	504248-1010	○	---	10
B	A	EMBOSSED TAPE PACKAGE --- オーダー番号 ORDER NO.	最製品 MASS PRODUCTION	試作対応可 LOW VOL. TOOL サンプル供給 SAMPLE PREPARATION	極数 CIRCUIT

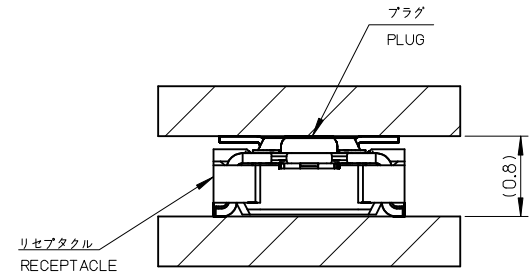
CONNECTOR SERIES No. : 504248-**09



REVISED EC NO: J2015-1176 DRW: Y. SHIDA 2015/03/17 CHK: D. TANAKA 2015/03/17 APPR: K. MORIKAWA 2015/03/18	GENERAL TOLERANCES (UNLESS SPECIFIED)		DIMENSION STYLE MM ONLY		SCALE 10:1	DESIGN UNITS METRIC	THIRD ANGLE PROJECTION
	0.25 UNDER	± 0.03	DRAWN BY	DATE	TITLE		
	0.25 OVER 0.5 UNDER	± 0.05	KAMINO	2013/05/23	0.4 BB CONN. H=0.8 ST8 PLUG ASSY.		
	0.5 OVER 1.0 UNDER	± 0.1	CHECKED BY	DATE	molex		
	1.0 OVER 30 UNDER	± 0.2	RTAKEUCHI	2013/05/23			
	10 OVER 30 UNDER	± 0.25	APPROVED BY	DATE	DOCUMENT NO.	SHEET NO.	
30 OVER	± 0.3	MSASAO	2013/05/30	SD-504248-001	1 OF 2		
ANGULAR	±1 °	MATERIAL NO.	SEE CHART		THIS DRAWING CONTAINS INFORMATION THAT IS PROPRIETARY TO MOLEX INCORPORATED AND SHOULD NOT BE USED WITHOUT WRITTEN PERMISSION		
DRAFT WHERE APPLICABLE MUST REMAIN WITHIN DIMENSIONS		SIZE	A3				



推奨基板寸法 (参考)
P.W.BOARD PATTERN LAYOUT (REFERENCE)

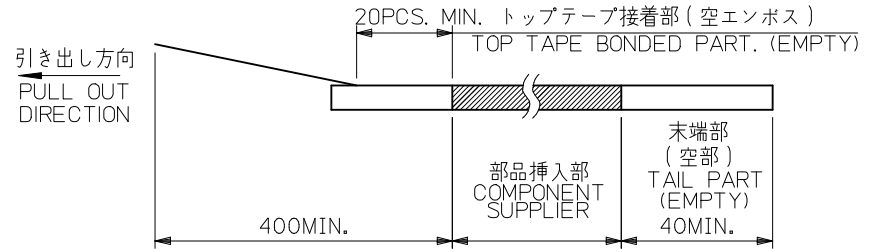
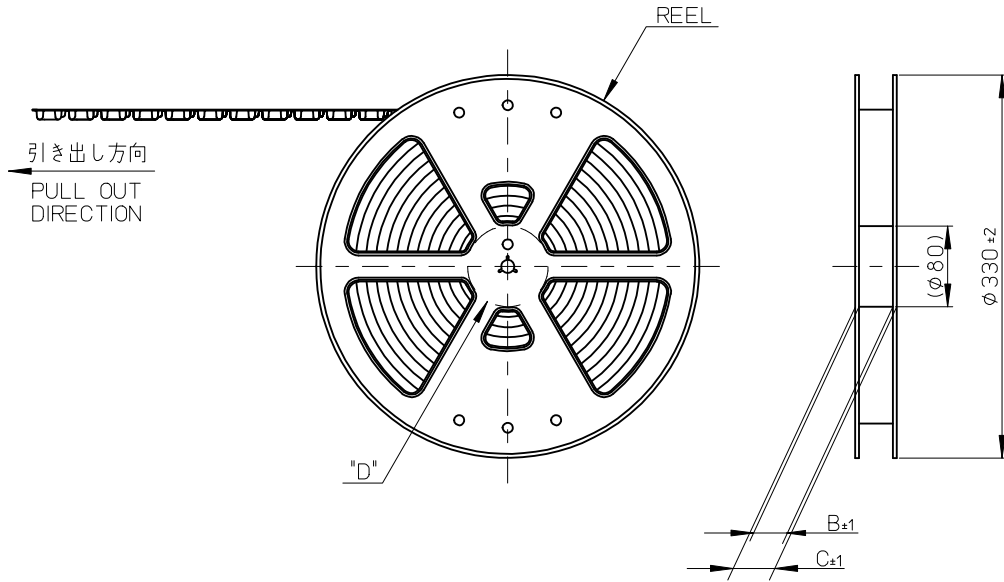


嵌合形状図 (参考)
MATED DRAWING (REFERENCE)

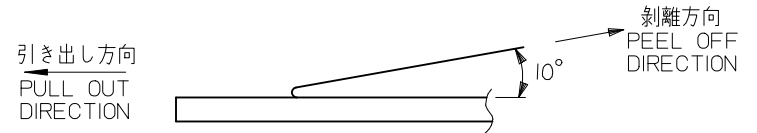
SEE SHEET 1 OF 2	GENERAL TOLERANCES (UNLESS SPECIFIED)		DIMENSION STYLE		SCALE	DESIGN UNITS	THIRD ANGLE PROJECTION
	0.25 UNDER ±0.03		MM ONLY		10:1	METRIC	
	0.25 OVER	0.5 UNDER ±0.05	DRAWN BY	DATE	TITLE		
	0.5 OVER	1.0 UNDER ±0.1	KAMINO	2013/05/23	0.4 BB CONN. H=0.8 ST8 PLUG ASSY.		
	1.0 OVER	10 UNDER ±0.2	CHECKED BY	DATE			
10 OVER	30 UNDER ±0.25	RTAKEUCHI	2013/05/23	APPROVED BY			
30 OVER	±0.3	MSASAO	2013/05/30	DATE			
ANGULAR	±1 °	MATERIAL NO.		DOCUMENT NO.		SHEET NO.	
DRAFT WHERE APPLICABLE MUST REMAIN WITHIN DIMENSIONS		SEE SHEET 1		SD-504248-001		2 OF 2	
		SIZE	THIS DRAWING CONTAINS INFORMATION THAT IS PROPRIETARY TO MOLEX INCORPORATED AND SHOULD NOT BE USED WITHOUT WRITTEN PERMISSION				
		A3					

注記 NOTES

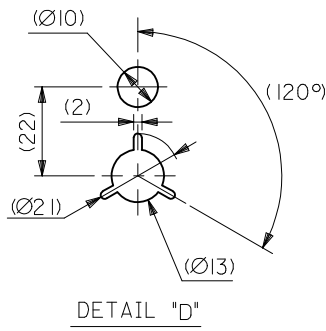
- 製品詳細寸法については製品単体図面を参照下さい。
RE DETAILED DIMENSION, SEE PRODUCT DRAWING.
- 梱包数量: 3000 個/リール
NUMBER OF CONNECTORS : 3000PCS/REEL
- リードテープ長さ LEAD TAPE LENGTH



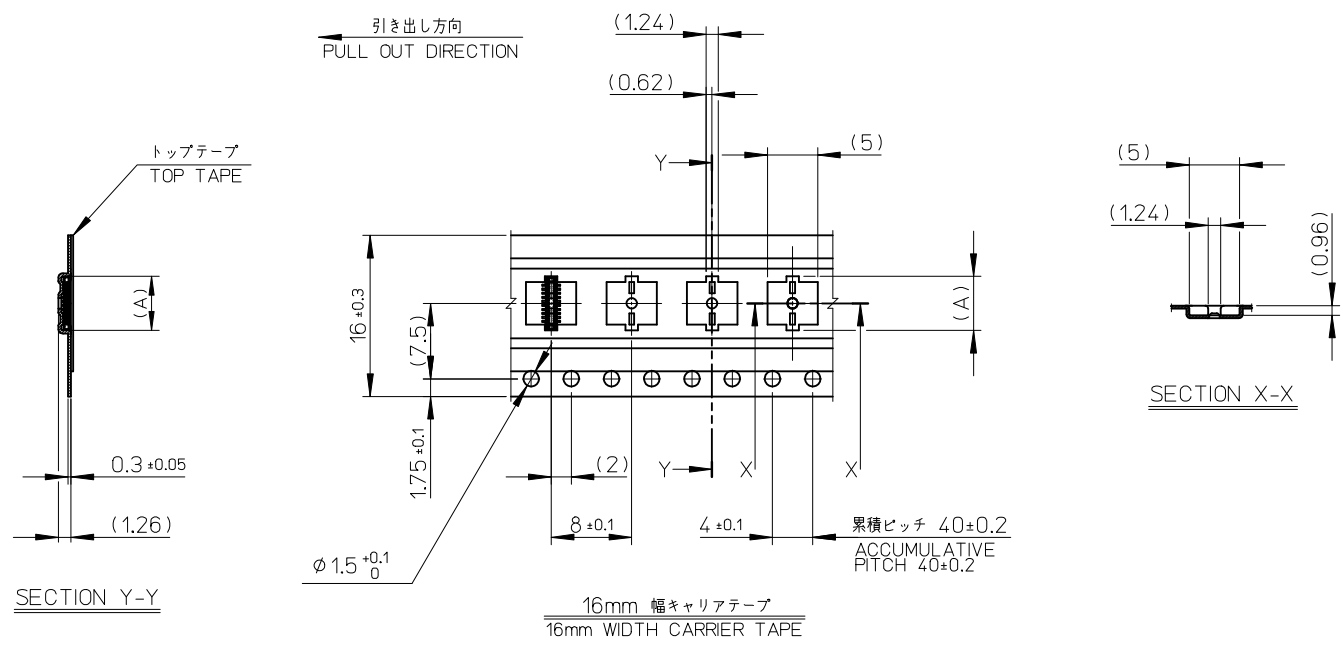
- トップテープの剥離強度: 0.1N~1.3N(10gf~130gf)
(剥離方向は下図参照)
尚、本規格値は出荷時に適用。(但し、輸送時に剥離が発生しないこと。)
PEELING OFF FORCE OF TOP TAPE : 0.1N~1.3N(10gf~130gf)
(PEELING DIRECTION AS SHOWN IN FOLLOWING FIG.)
THIS REQUIREMENT SHOULD BE APPLIED AT SHIPMENT.
PEEL OFF SHOULD NOT BE ALLOWED, DURING TRANSPORTION.



- 材料 MATERIAL
キャリアテープ (CARRIER TAPE) : ポリスチレン (POLYSTYRENE)
トップテープ (TOP TAPE) : PET, OTHER
リール (REEL) : ポリスチレン (PS) <リサイクル材を含む>
POLYSTYRENE (PS) <RECYCLE MATERIAL CONTAINED>
- ELV 及び RoHS適合品
ELV AND RoHS COMPLIANT

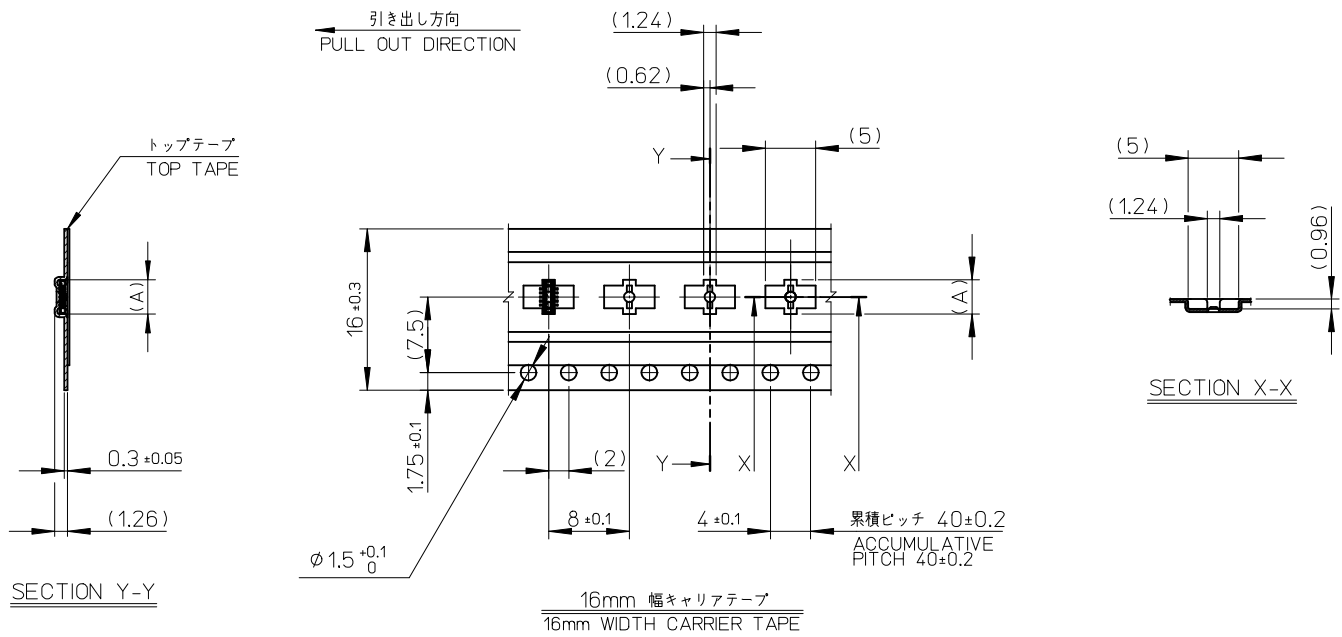


REVISED EC NO: J2014-1162 DRWN: KAMINO 2014/01/27 CHKD: TASAKAWA 2014/01/27 APPR: KMORIKAWA 2014/01/28	DESCRIPTION REV	GENERAL TOLERANCES (UNLESS SPECIFIED)		DIMENSION STYLE MM ONLY		SCALE ---	DESIGN UNITS METRIC	THIRD ANGLE PROJECTION		
		10 UNDER	±0.2	DRAWN BY KAMINO	DATE 2013/05/23	TITLE 0.4 BB CONN. H=0.8 ST8 PLUG ASSY. EMBSTP. PKG				
		10 OVER 30 UNDER	±0.25	CHECKED BY RTAKEUCHI	DATE 2013/05/23					
		30 OVER	±0.3	APPROVED BY MSASAO	DATE 2013/05/30					
ANGULAR ±1°		DRAFT WHERE APPLICABLE MUST REMAIN WITHIN DIMENSIONS		MATERIAL NO. SEE SHEET 2,3 & 4	DOCUMENT NO. SD-504248-002			SHEET NO. 1 OF 4		
THIS DRAWING CONTAINS INFORMATION THAT IS PROPRIETARY TO MOLEX INCORPORATED AND SHOULD NOT BE USED WITHOUT WRITTEN PERMISSION										



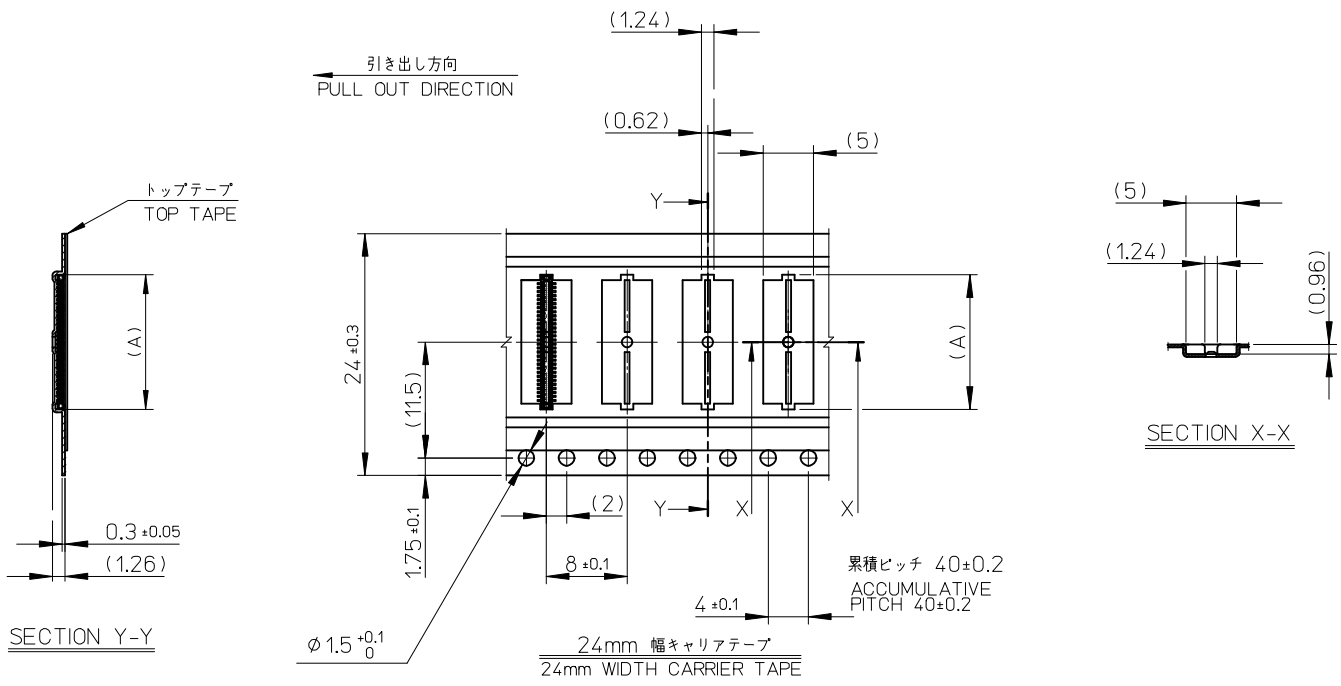
16	21.4	17.4	6.18	504248-2410	○	---	24
			5.38	504248-2010	○	---	20
			4.58	504248-1610	○	---	16
			3.78	504248-1210	○	---	12
キャリアテープ幅 CARRIER TAPE WIDTH	C	B	(A)	MATERIAL No.	量産品 MASS PRODUCTION	試作対応 LOW VOL. TOOL	極数 CIRCUIT
				MODEL No.	504248-**10		

SEE SHEET 1 OF 4 EC NO: J2014-1162 DRW:KAMINO 2014/01/27 CHKD:TASAKAWA 2014/01/27 APPR:KMORIKAWA 2014/01/28	GENERAL TOLERANCES (UNLESS SPECIFIED)	DIMENSION STYLE MM ONLY	SCALE ---	DESIGN UNITS METRIC	THIRD ANGLE PROJECTION
	10 UNDER ±0.2	DRAWN BY KAMINO	DATE 2013/05/23	TITLE 0.4 BB CONN. H=0.8 ST8 PLUG ASSY. EMBSTP. PKG	
	10 OVER 30 UNDER ±0.25	CHECKED BY RTAKEUCHI	DATE 2013/05/23	molex	
	30 OVER ±0.3	APPROVED BY MSASAO	DATE 2013/05/30		
ANGULAR ±1°	MATERIAL NO.	SEE CHART	DOCUMENT NO.	SD-504248-002	SHEET NO. 2 OF 4
DRAFT WHERE APPLICABLE MUST REMAIN WITHIN DIMENSIONS	SIZE A3	THIS DRAWING CONTAINS INFORMATION THAT IS PROPRIETARY TO MOLEX INCORPORATED AND SHOULD NOT BE USED WITHOUT WRITTEN PERMISSION			



16	21.4	17.4	3.38	504248-1010	o	---	10
キャリアテープ幅 CARRIER TAPE WIDTH				C	B	(A)	MATERIAL No.
				MODEL No.	504248-**-10		
					量産品 MASS PRODUCTION	試作対応 LOW VOL. TOOL	極数 CIRCUIT
					サンプル供給 SAMPLE PREPARATION		

SEE SHEET 1 OF 4 EC NO: J2014-1162 DRWN: KAMINO 2014/01/27 CHKD: TASAKAWA 2014/01/27 APPR: KMORIKAWA 2014/01/28	GENERAL TOLERANCES (UNLESS SPECIFIED)		DIMENSION STYLE MM ONLY		SCALE ---	DESIGN UNITS METRIC	THIRD ANGLE PROJECTION
	10 UNDER	±0.2	DRAWN BY KAMINO	DATE 2013/05/23	TITLE 0.4 BB CONN. H=0.8 ST8 PLUG ASSY. EMBSTP. PKG		
	10 OVER 30 UNDER	±0.25	CHECKED BY RTAKEUCHI	DATE 2013/05/23			
	30 OVER	±0.3	APPROVED BY MSASAO	DATE 2013/05/30			
ANGULAR ±1°		DRAFT WHERE APPLICABLE MUST REMAIN WITHIN DIMENSIONS		MATERIAL NO.		DOCUMENT NO.	SHEET NO.
		SEE CHART		SD-504248-002		3 OF 4	
THIS DRAWING CONTAINS INFORMATION THAT IS PROPRIETARY TO MOLEX INCORPORATED AND SHOULD NOT BE USED WITHOUT WRITTEN PERMISSION							



24	29.4	25.4	11.38	504248-5010	○	---	50	
			9.38	504248-4010	○	---	40	
			8.18	504248-3410	○	---	34	
			7.38	504248-3010	○	---	30	
キャリアテープ幅 CARRIER TAPE WIDTH		C	B	(A)	MATERIAL No.	量産品 MASS PRODUCTION	試作対応 LOW VOL. TOOL	極数 CIRCUIT
				MODEL No.	504248-**-10			

SEE SHEET 1 OF 4 EC NO: J2014-1162 DRWN: KAMINO 2014/01/27 CHKD: TASAKAWA 2014/01/27 APPR: KMORIKAWA 2014/01/28	DESCRIPTION REV	GENERAL TOLERANCES (UNLESS SPECIFIED)		DIMENSION STYLE MM ONLY		SCALE ---	DESIGN UNITS METRIC	THIRD ANGLE PROJECTION		
		10 UNDER	± 0.2	DRAWN BY KAMINO	DATE 2013/05/23	TITLE 0.4 BB CONN. H=0.8 ST8 PLUG ASSY. EMBSTP. PKG				
		10 OVER 30 UNDER	± 0.25	CHECKED BY RTAKEUCHI	DATE 2013/05/23					
		30 OVER	± 0.3	APPROVED BY MSASAO	DATE 2013/05/30					
ANGULAR ± 1 °		DRAFT WHERE APPLICABLE MUST REMAIN WITHIN DIMENSIONS		MATERIAL NO. SEE CHART		DOCUMENT NO. SD-504248-002		SHEET NO. 4 OF 4		