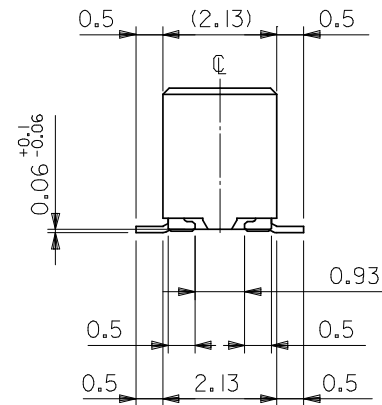
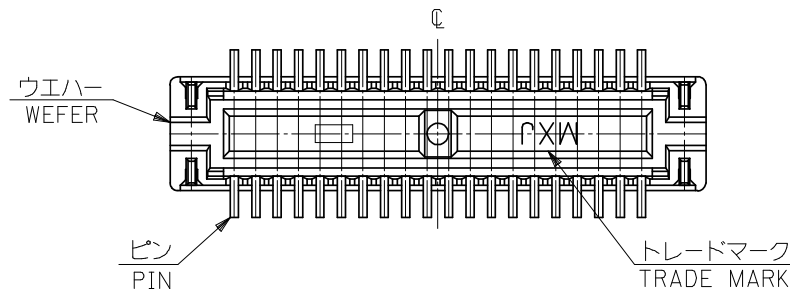
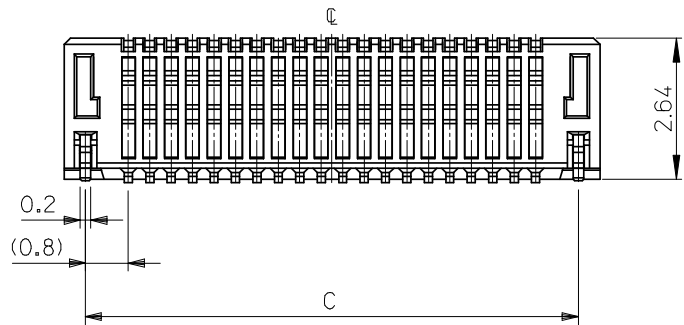
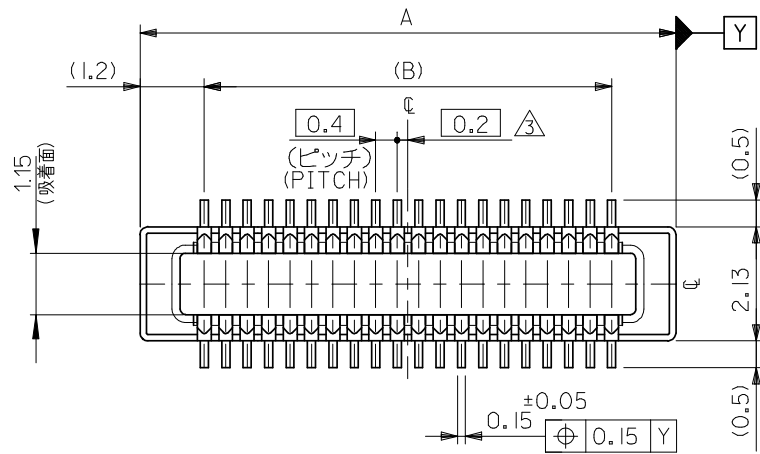


注記 NOTES:

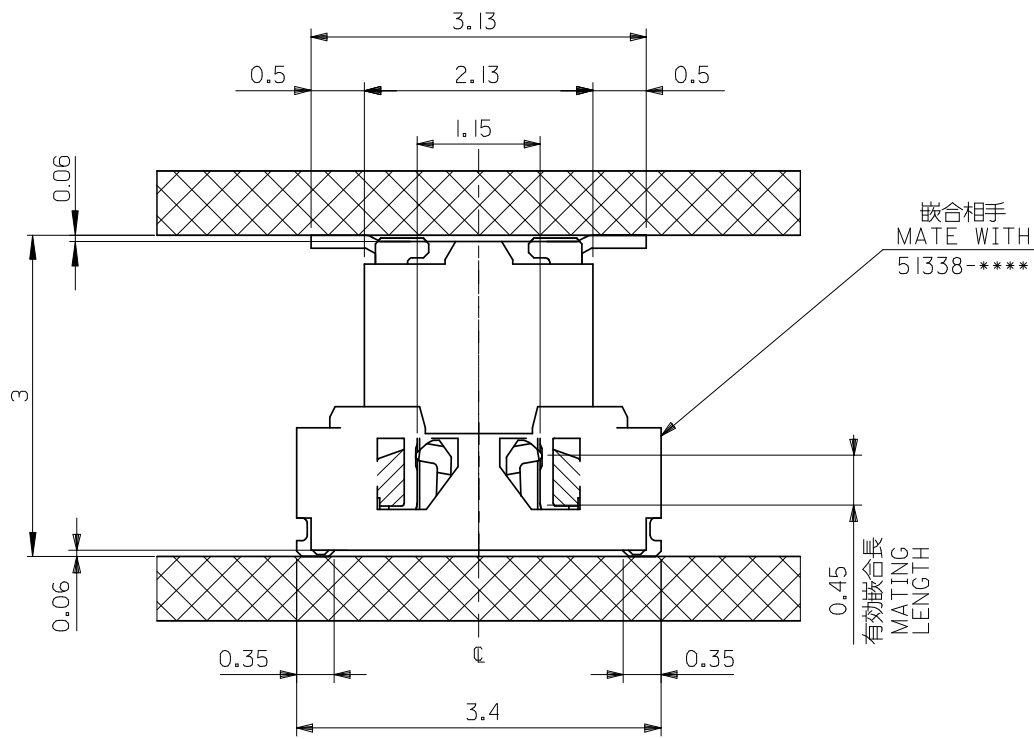
- 使用材料 MATERIAL  
 ウエハー: 液晶ポリマー (LCP) ガラス充填 UL94V-0 (黒)  
 WAFER: LIQUID CRYSTAL POLYMER (GLASS FILLED)  
 UL94V-0 (COLOR: BLACK)  
 ピン: 黄銅 (t=0.12)  
 PIN: BRASS (t=0.12)  
 金具: リン青銅 (t=0.2)  
 FITTING NAIL: PHOSPHOR BRONZE (t=0.2)
- メッキ仕様 PLATING  
 ピン PIN  
 金メッキ 0.2 マイクロメートル以上 (コンタクト部)  
 GOLD 0.2 MICROMETER MINIMUM (CONTACT AREA)  
 金メッキ 0.4 マイクロメートル以下 (テール部)  
 GOLD 0.4 MICROMETER MAXIMUM (TAIL AREA)  
 下地メッキ: ニッケルメッキ 1.5 マイクロメートル以上  
 UNDER PLATING: NICKEL 1.5 MICROMETER MINIMUM  
 金具 FITTING NAIL  
 錫メッキ 1.0 マイクロメートル以上  
 TIN PLATING 1.0 MICROMETER MINIMUM  
 下地メッキ: ニッケルメッキ 1.0 マイクロメートル以上  
 UNDER PLATING: NICKEL 1.0 MICROMETER MINIMUM

- (全極数/2) = 偶数の場合に適用。  
 APPLY FOR (CIRCUIT/2) = EVEN.
- 嵌合相手: 51338シリーズ  
 MATE WITH: 51338 SERIES
- テール平坦度は、0.08以下  
 テール及び金具の平坦度は、0.1以下  
 TAIL COPLANARITY TO BE 0.08 MAXIMUM  
 TAIL AND FITTING NAIL  
 COPLANARITY TO BE 0.1 MAXIMUM
- ELV 及び RoHS 適合品  
 ELV AND RoHS COMPLIANT.

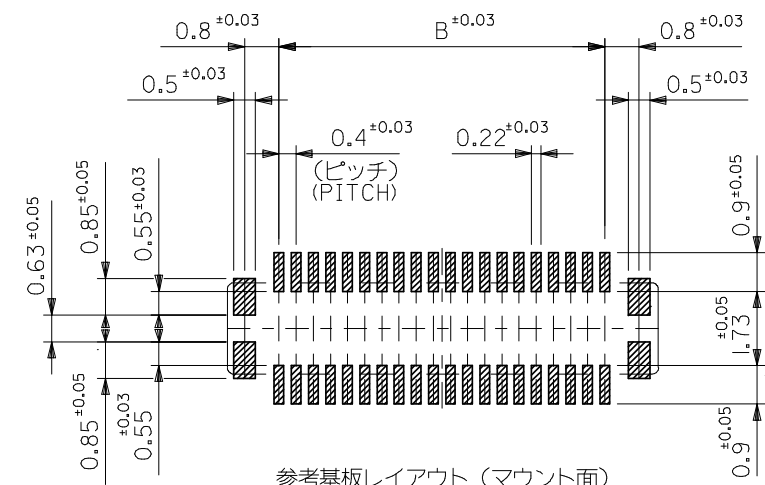


5.6	4.0	6.4	503219-0221	503219-0220	22
C	B	A	EMBOSSED TAPE PACKAGE	MATERIAL No.	CKT.
			ORDER No.		

REVISED EC NO: J2008-4313 DRWN:TKAIHO CH:KD:MSASAO APPR:MSASAO 2008/06/18 2008/06/18 2008/06/19	GENERAL TOLERANCES (UNLESS SPECIFIED)		DIMENSION STYLE	SCALE	DESIGN UNITS	THIRD ANGLE PROJECTION
			MM ONLY	1:1	METRIC	
	10 UNDER	±0.2	DRAWN BY	DATE	TITLE	
	10 OVER 30 UNDER	±0.25	TKAIHO	2008/03/19	0.4 B-TO-B CONN. PLUG ASSY (HGT=3.0) WITH NAIL	
	30 OVER	±0.3	CHECKED BY	DATE		
ANGULAR ±1 °		APPROVED BY	DATE	MOLEX INCORPORATED		
DRAFT WHERE APPLICABLE MUST REMAIN WITHIN DIMENSIONS		MSASAO	2008/03/19	MATERIAL NO.	DOCUMENT NO.	SHEET NO.
		SEE TABLE			SD-503219-001	1 OF 2
		THIS DRAWING CONTAINS INFORMATION THAT IS PROPRIETARY TO MOLEX INCORPORATED AND SHOULD NOT BE USED WITHOUT WRITTEN PERMISSION				

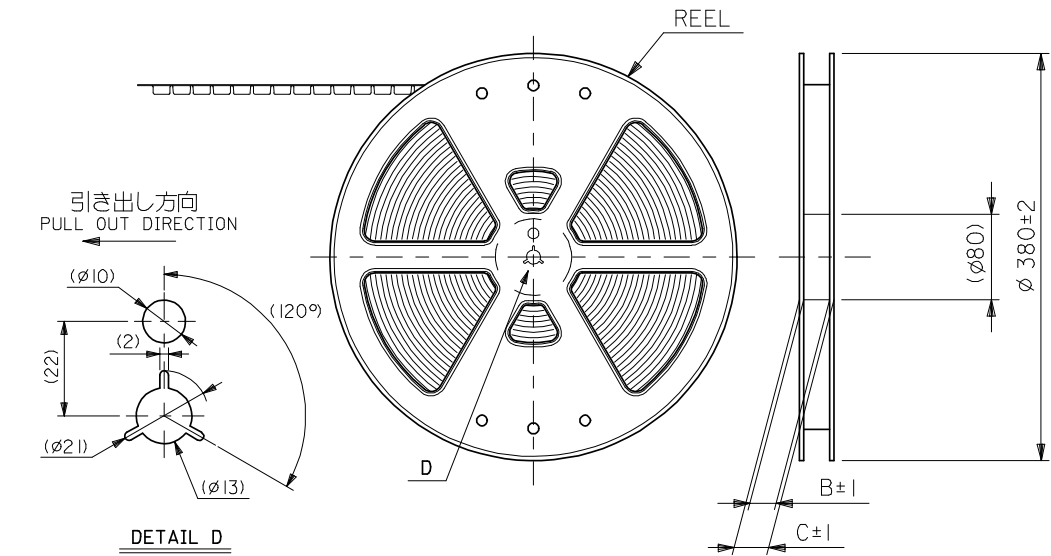


嵌合断面図 (参考)  
MATED DRAWING (REFERENCE)



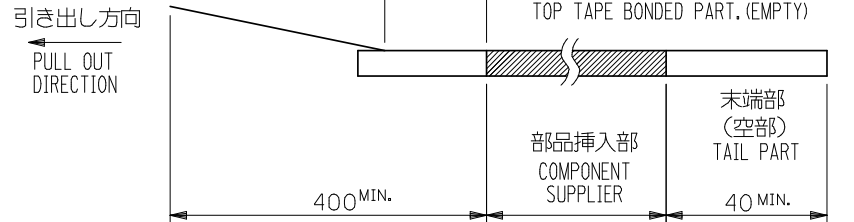
参考基板レイアウト (マウント面)  
P.C. BOARD PATTERN DIMENSION.  
(REFERENCE)  
(MOUNTING AREA)

REVISED EC NO: J2008-4313 DRWN:TKAIHO 2008/06/18 CHKD:MSASAO 2008/06/18 APPR:MSASAO 2008/06/19 A	GENERAL TOLERANCES (UNLESS SPECIFIED)		DIMENSION STYLE MM ONLY		SCALE 1:1	DESIGN UNITS METRIC	THIRD ANGLE PROJECTION	503219-***0	MODEL NO.
	10 UNDER	±0.2	DRAWN BY TKAIHO	DATE 2008/03/19	TITLE 0.4 B-TO-B CONN. PLUG ASSY (HGT=3.0) WITH NAIL				
	10 OVER 30 UNDER	±0.25	CHECKED BY MSASAO	DATE 2008/03/19					
	30 OVER	±0.3	APPROVED BY MSASAO	DATE 2008/03/19	MOLEX INCORPORATED				
	ANGULAR	±1 °	MATERIAL NO.	DOCUMENT NO.					
	DRAFT WHERE APPLICABLE MUST REMAIN WITHIN DIMENSIONS		THIS DRAWING CONTAINS INFORMATION THAT IS PROPRIETARY TO MOLEX INCORPORATED AND SHOULD NOT BE USED WITHOUT WRITTEN PERMISSION						

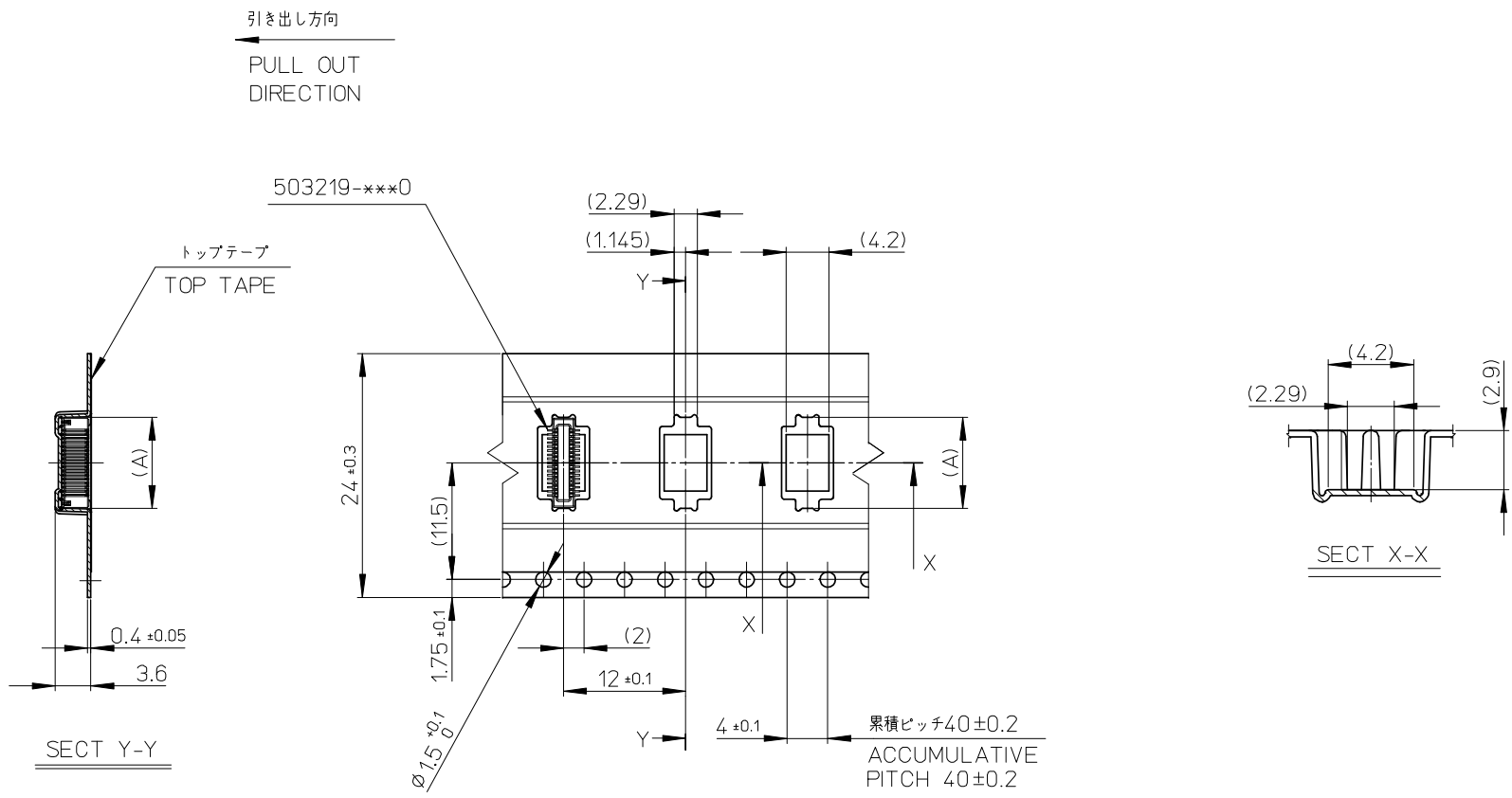


NOTES

- 製品詳細寸法については製品単体図面を参照下さい。  
RE DETAILED DIMENSION, SEE PRODUCT DRAWING.
- 梱包数量：1800 個/リール  
NUMBER OF CONNECTORS : 1800 PCS/REEL
- リードテープ長さ LEAD TAPE LENGTH  
20PCS. MIN. トップテープ接着部 (空エンボス)  
TOP TAPE BONDED PART. (EMPTY)  
部品挿入部  
COMPONENT SUPPLIER  
400 MIN.  
末端部 (空音)  
TAIL PART  
40 MIN.
- 材料 MATERIAL  
キャリアテープ (CARRIER TAPE) : ポリスチレン (POLYSTYRENE)  
トップテープ (TOP TAPE) : PET , PE , PEF  
リール (REEL) : ポリスチレン (PS) <リサイクル材を含む>  
POLYSTYRENE (PS) <RECYCLE MATERIAL CONTAINED>
- ELV 及び RoHS 適合品  
ELV AND RoHS COMPLIANT.



REVISED EC NO: J2008-4313 DRWN:TKAHO 2008/06/18 CHKD:MSAO 2008/06/18 APPR:MSAO 2008/06/19	DESCRIPTION A	GENERAL TOLERANCES (UNLESS SPECIFIED)		DIMENSION STYLE MM ONLY	SCALE ---	DESIGN UNITS METRIC	THIRD ANGLE PROJECTION	503219-***1	MODEL NO.
		10 UNDER	±0.2	DRAWN BY T. KAIHO	DATE 2008/04/03	TITLE 0.4 B-TO-B CONN. PLUG ASSY (HGT=3) EMBSTP PKG			
		10 OVER 30 UNDER	±0.25	CHECKED BY M. SASAO	DATE 2008/04/03				
		30 OVER	±0.3	APPROVED BY M. SASAO	DATE 2008/04/03	MOLEX INCORPORATED			
		ANGULAR	±3 °	MATERIAL NO.	DOCUMENT NO.				
		DRAFT WHERE APPLICABLE MUST REMAIN WITHIN DIMENSIONS		SIZE A3	THIS DRAWING CONTAINS INFORMATION THAT IS PROPRIETARY TO MOLEX INCORPORATED AND SHOULD NOT BE USED WITHOUT WRITTEN PERMISSION				



24	29.4	25.4	6.56	503219-0221	22
キャリアテープ幅 CARRIER TAPE WIDTH	C	B	(A)	MATERIAL NO.	極数 CKT.

RELEASED EC NO: J2008-4313 DRWN:TKAIHO 2008/06/18 CHK:MSASAO 2008/06/18 APPR:MSASAO 2008/06/19	GENERAL TOLERANCES (UNLESS SPECIFIED)		DIMENSION STYLE	SCALE	DESIGN UNITS	THIRD ANGLE PROJECTION
			MM ONLY	---	METRIC	
	10 UNDER	± 0.2	DRAWN BY	DATE	TITLE	
	10 OVER 30 UNDER	± 0.25	T. KAIHO	2008/04/03	0.4 B-TO-B CONN. PLUG ASSY (HGT=3) EMBSTP PKG	
	30 OVER	± 0.3	M. SASAO	2008/04/03		
ANGULAR	± 3 °	APPROVED BY	DATE	MOLEX INCORPORATED		
DRAFT WHERE APPLICABLE MUST REMAIN WITHIN DIMENSIONS		M. SASAO	2008/04/03	MATERIAL NO.	DOCUMENT NO.	SHEET NO.
		SEE TABLE		SD-503219-002		2 OF 2
		THIS DRAWING CONTAINS INFORMATION THAT IS PROPRIETARY TO MOLEX INCORPORATED AND SHOULD NOT BE USED WITHOUT WRITTEN PERMISSION				