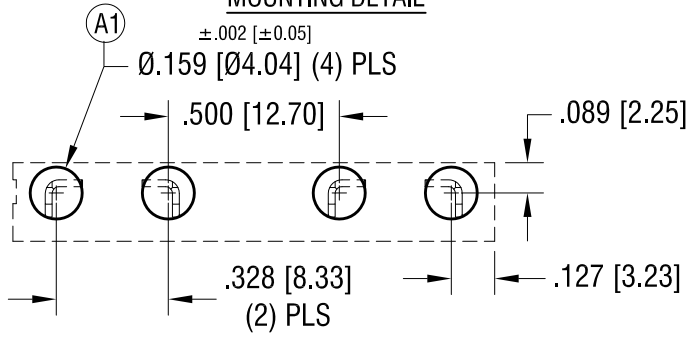
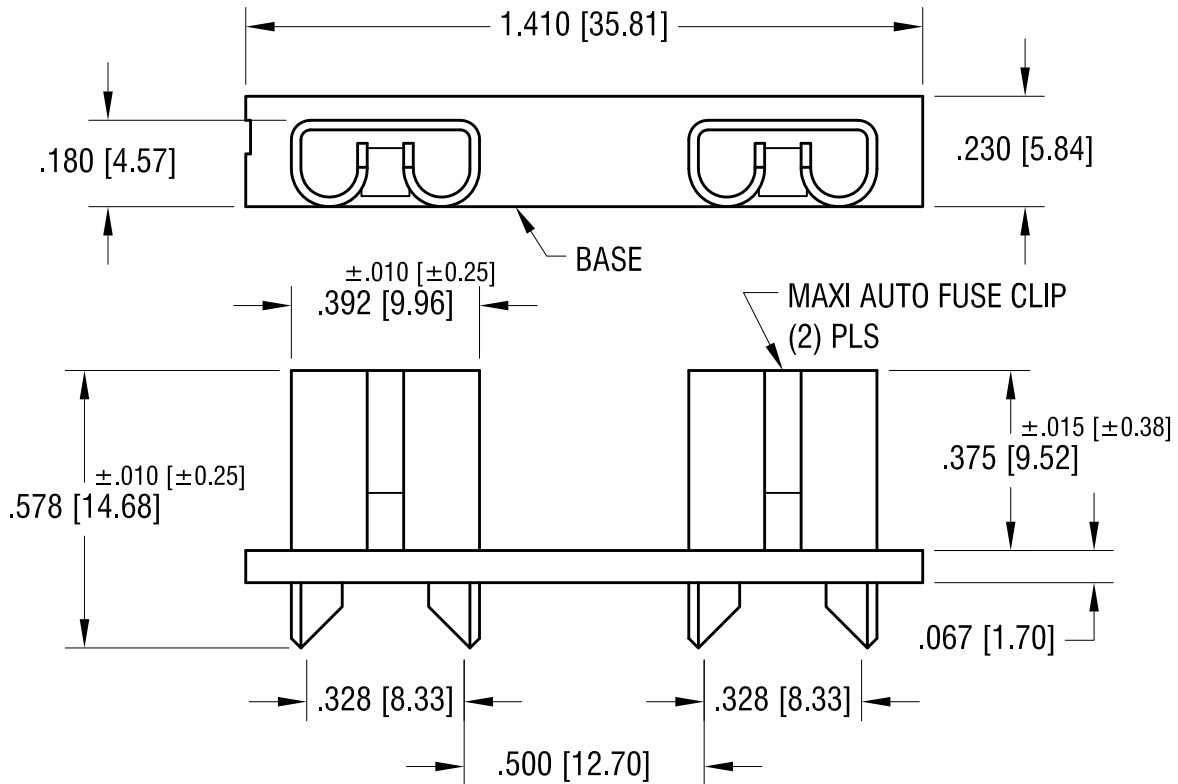
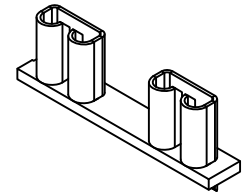


THIS DOCUMENT IS THE PROPERTY OF
KEYSTONE ELECTRONICS CORP. AND
SHALL NOT BE REPRODUCED, DISTRIBUTED
OR USED AS A BASIS FOR MANUFACTURE
WITHOUT PRIOR WRITTEN PERMISSION
FROM KEYSTONE ELECTRONICS CORP.

MOUNTING DETAIL



ACTUAL SIZE



NOTE:

1. CLIP: .020 [0.50] THK COPPER, TIN NICKEL PLATE
2. BASE: MAT'L: GLASS FILLED NYLON, UL 94V-0
3. FILE NUMBER: E354010

KEYSTONE ELECTRONICS CORP.

www.keyelco.com • NEW HYDE PARK, NY 11040 • Tel (516) 328-7500

PART NAME		MAXI PC AUTO-FUSE SOCKET	
MATERIAL			
AS NOTED			
FINISH	AS NOTED	DRN BY	BOONE
		APP'D	MR
		DATE	10.24.06
		SCALE	2.5X
TOLERANCES	INCH [MM]	CODE	DWG NO.
DECIMAL	±.005 [±0.13]	C	3555-2
ANGULAR	± 1°		
UNLESS OTHERWISE SPECIFIED			

9.25.18	MTG HOLE A1 WAS Ø.152 [3.86] CHANGE AS PER ECN 18-037	A
DATE	DESCRIPTION	REV.