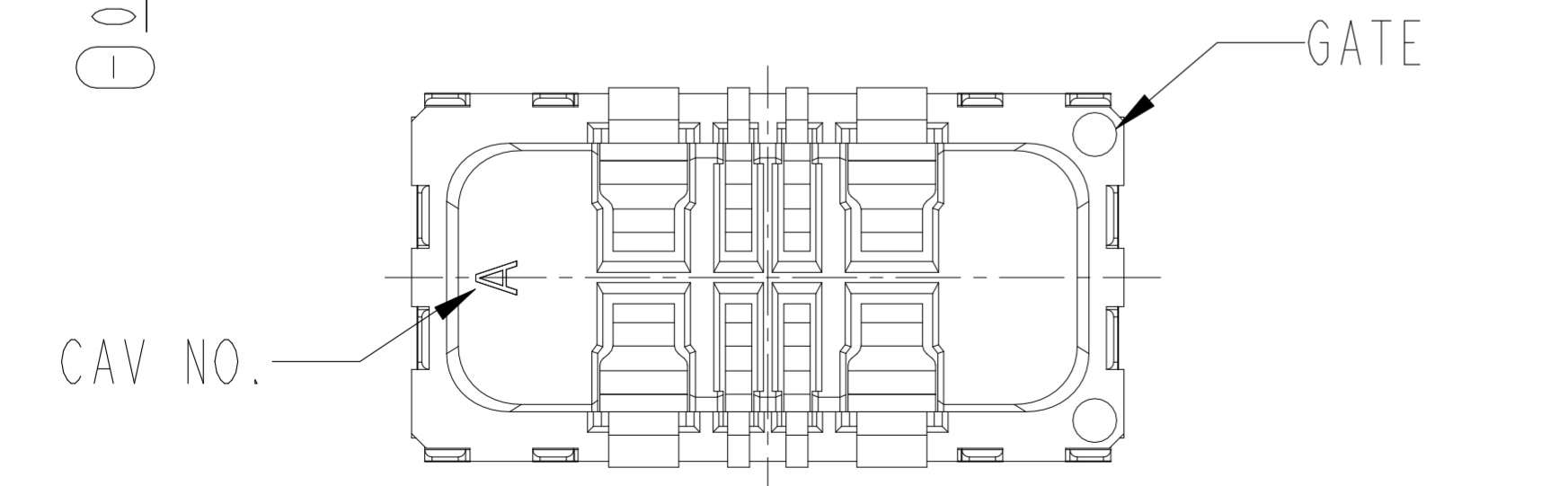
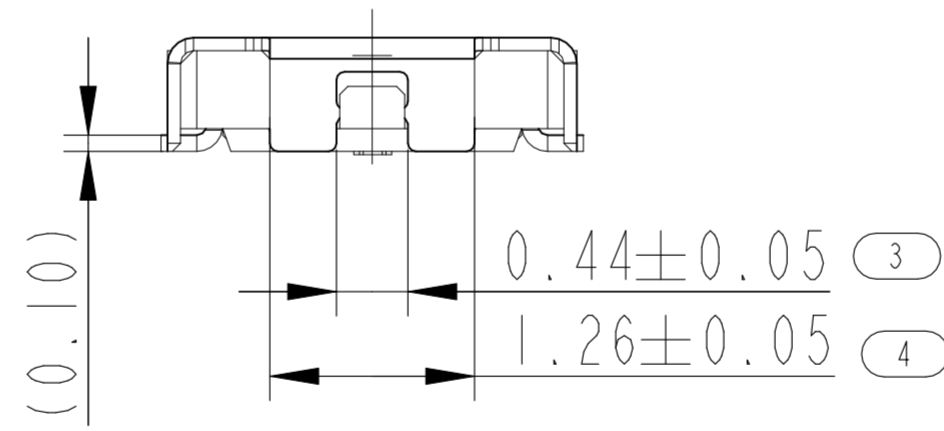
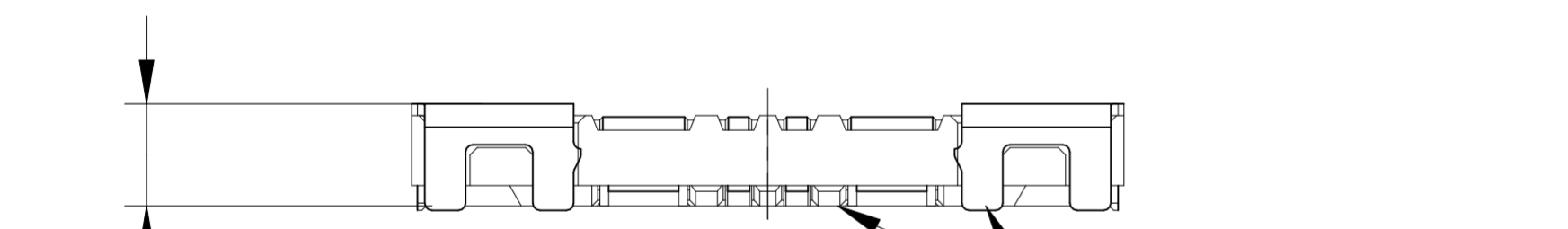
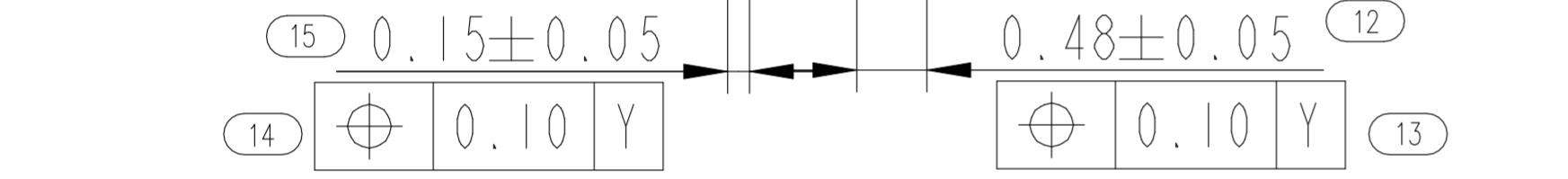
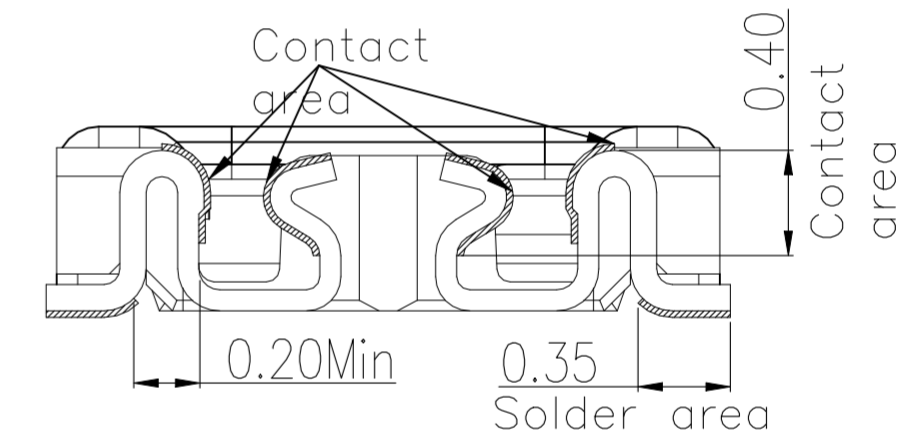
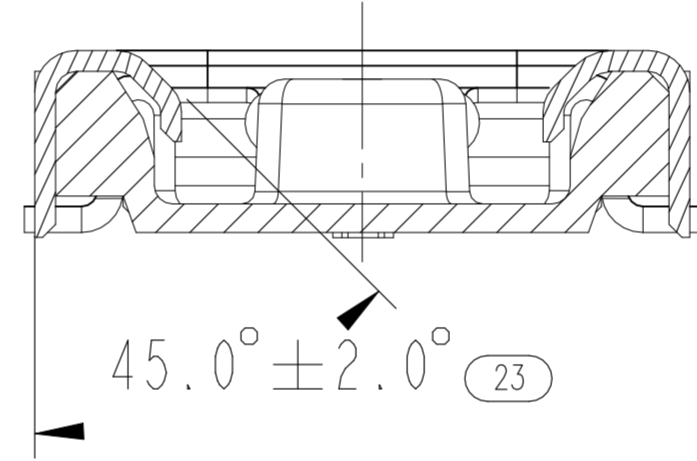
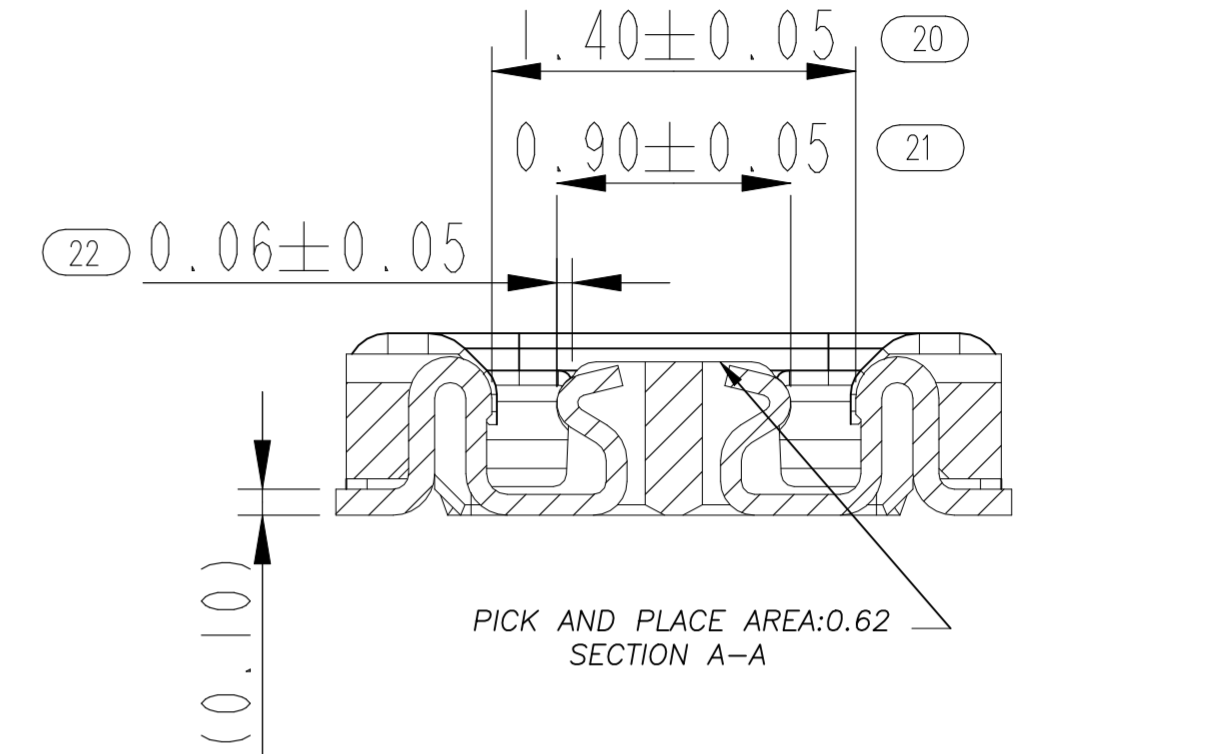
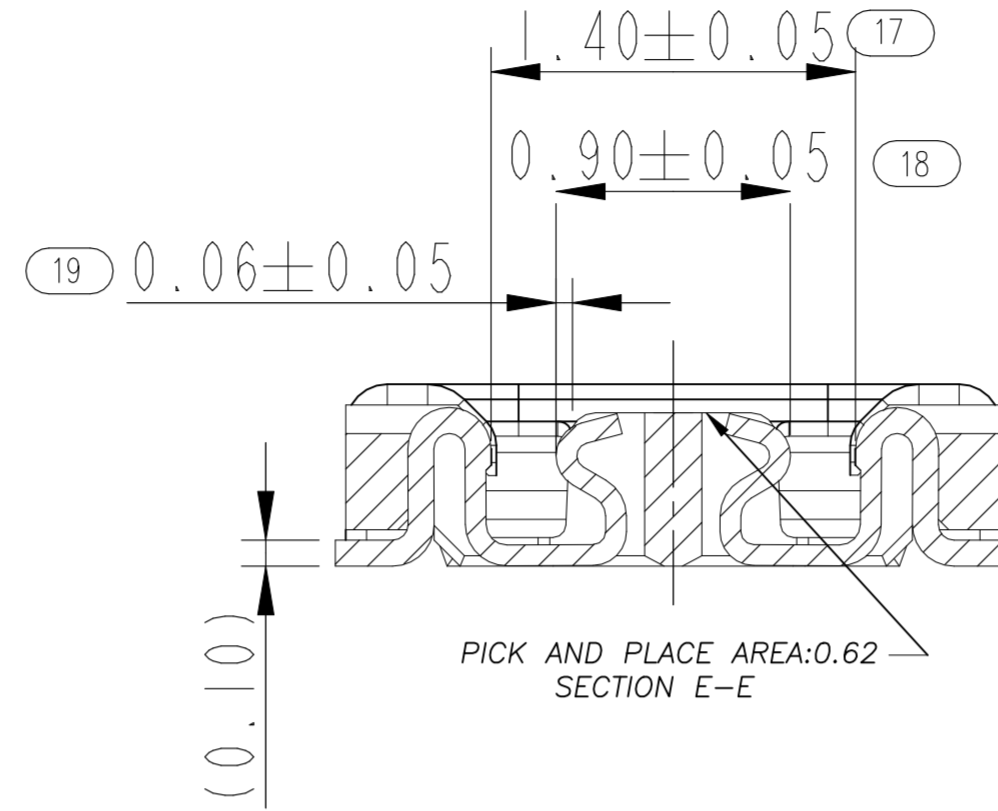
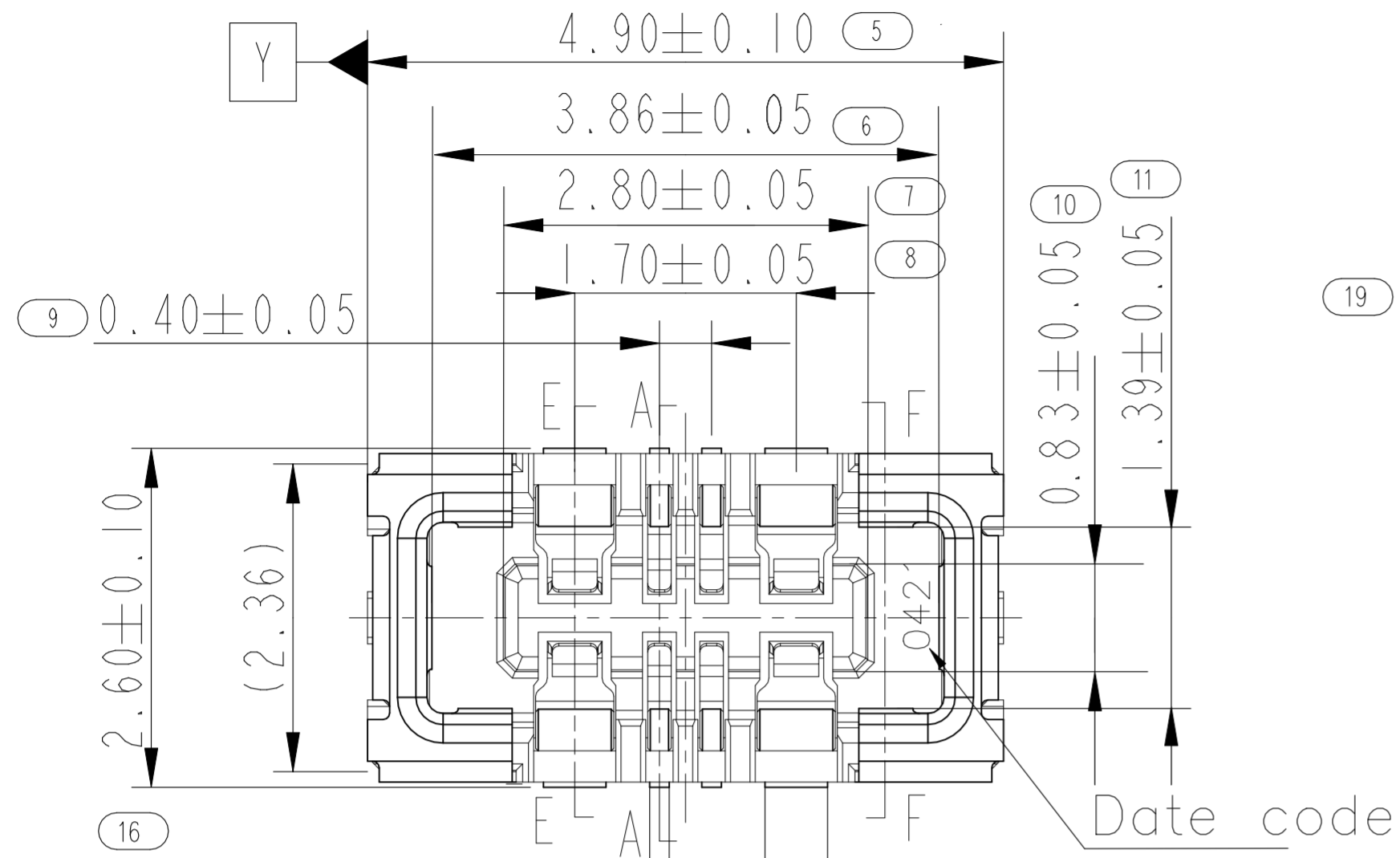


REVISIONS					
P	LTR	DESCRIPTION	DATE	DWN	APVD
A		FIRST RELEASED	13JUL2021	J.J	N.S

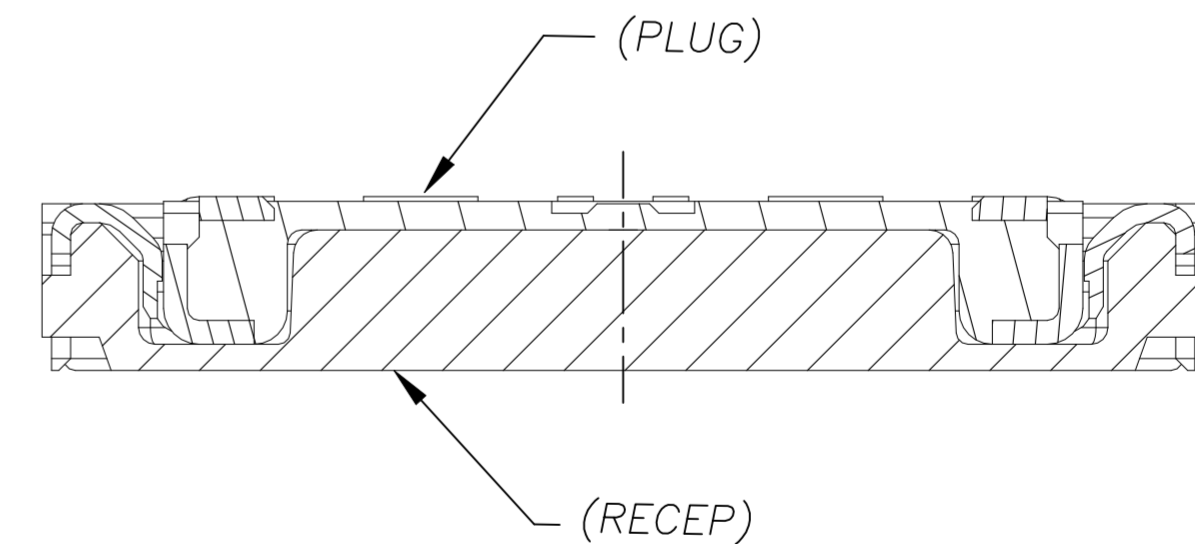
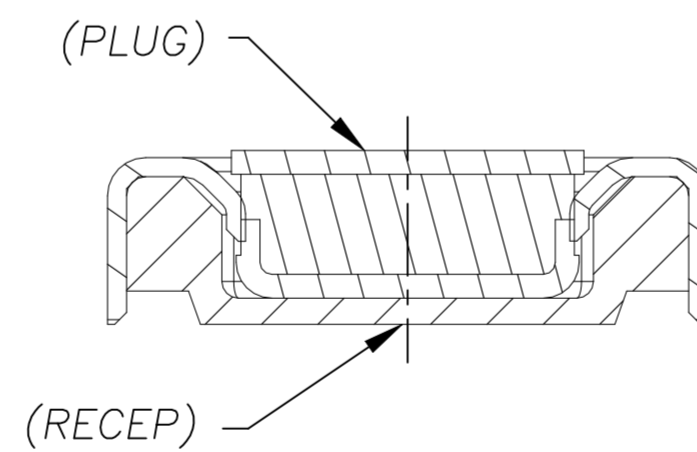
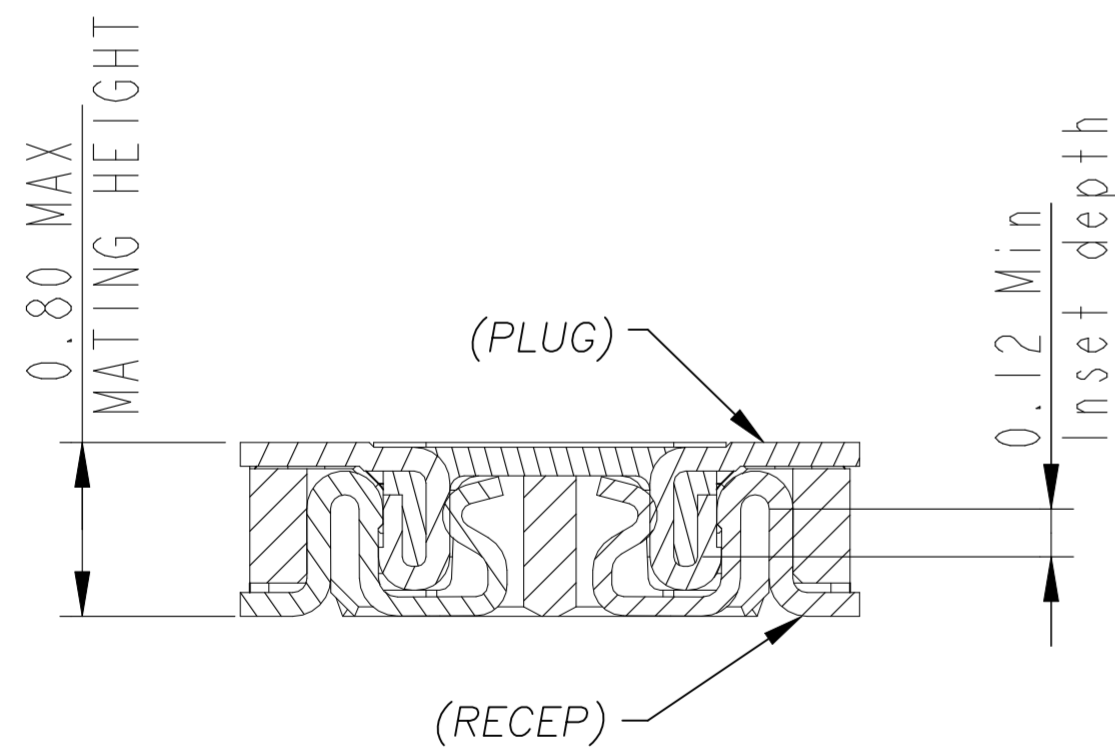
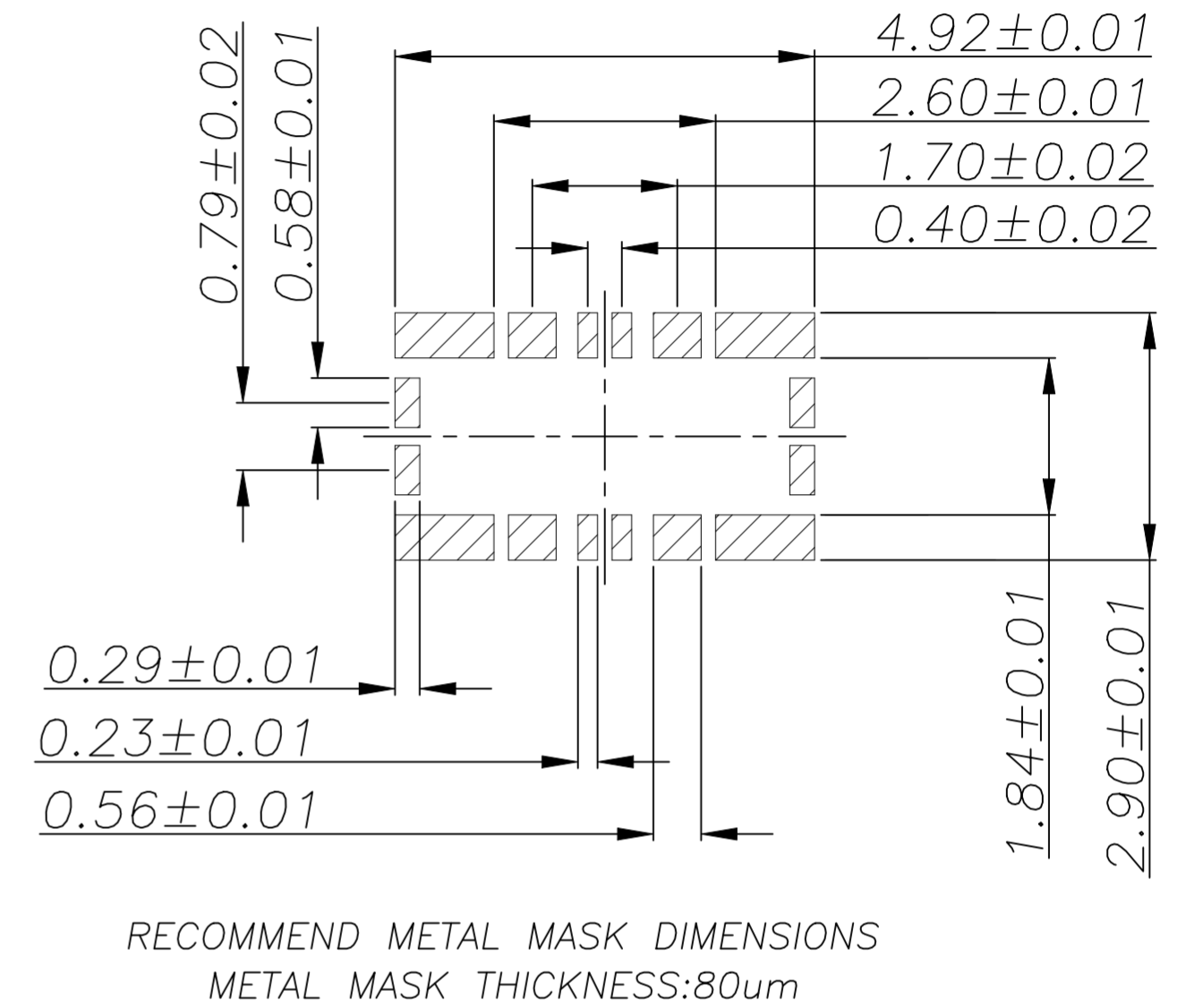
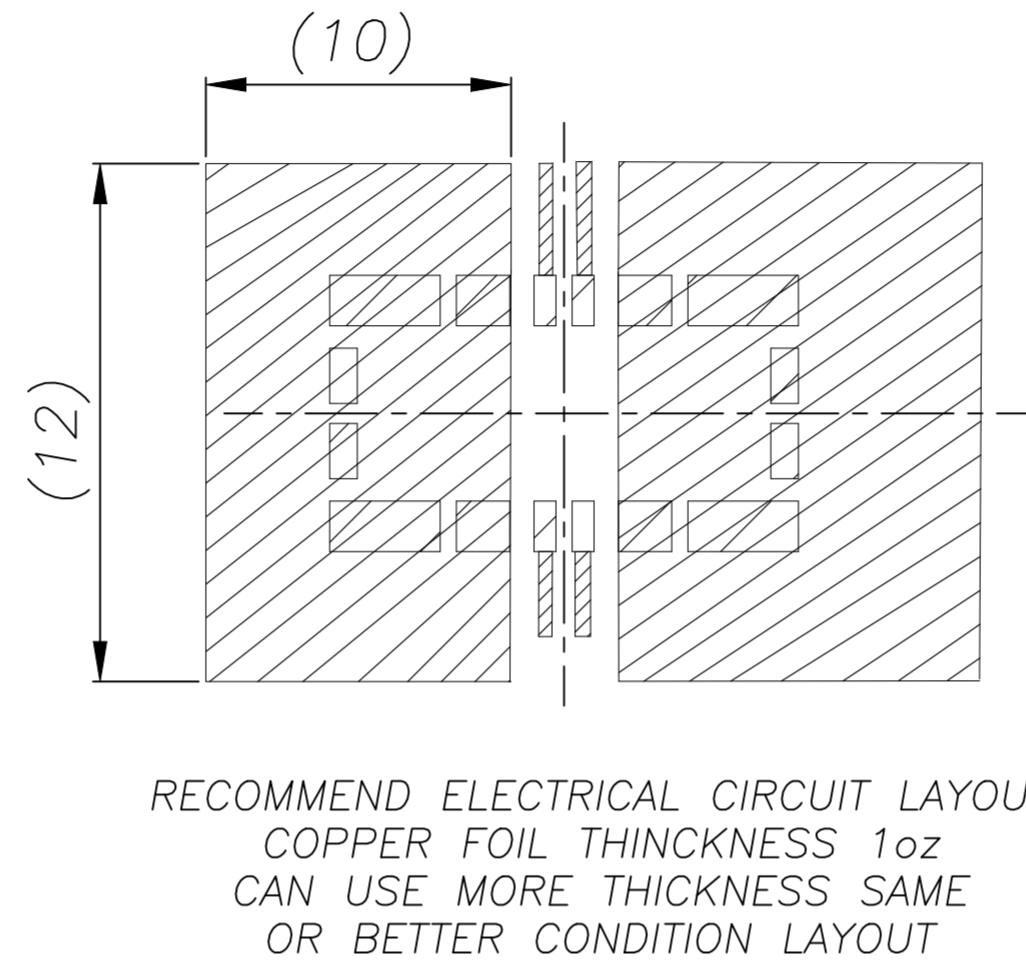
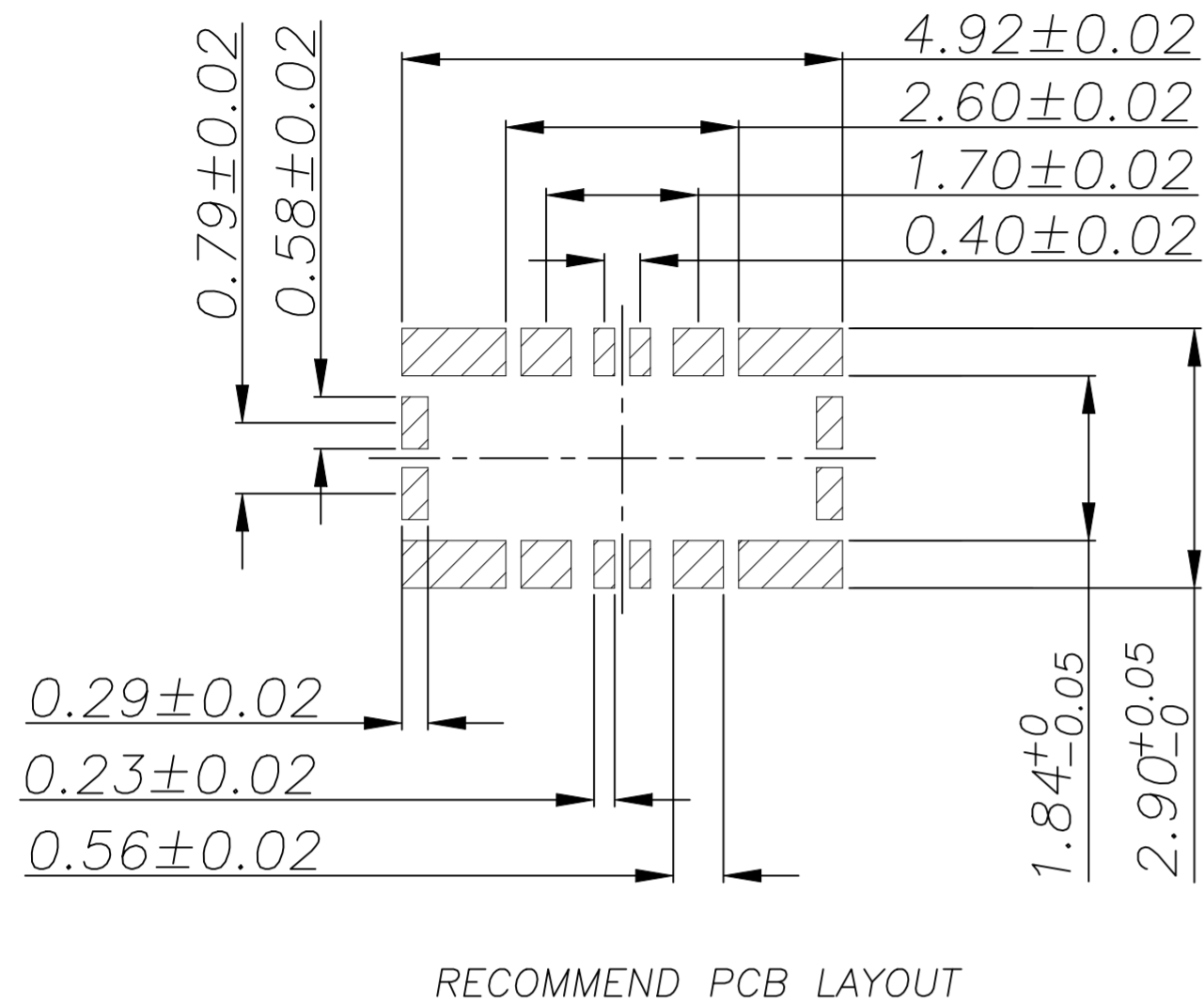


NOTE:  
 1.MATERIAL SPECIFICATION:  
 1-1.HOUSING :LCP, UL94V-0, BLACK.  
 1-2.CONTACTS: COPPER ALLOY.  
 1-3.SHELL: COPPER ALLOY.  
 2.PLATING SPECIFICATION:  
 2-1.CONTACTS:  
 Ni 80~150u". UNDER PLATED OVER ALL.  
 Au4u"MIN PLATED ON THE FUNCTIONAL AREA OF CONTACT.  
 Au3~8u" PLATED ON SOLDER AREA.  
 2-2.SHELL:  
 Ni 80~150u". UNDER PLATED OVER ALL.  
 Au3~8u" PLATED ON SOLDER AREA.

2386586-1

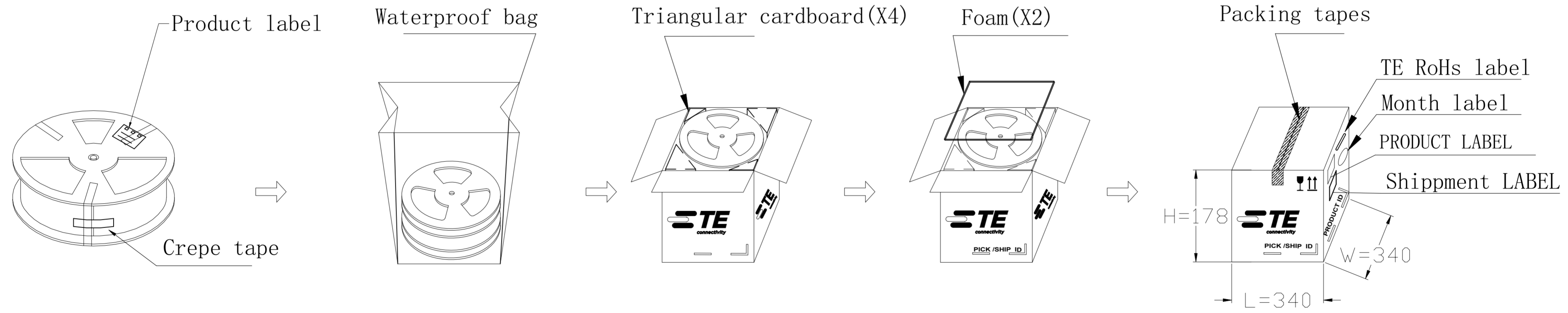
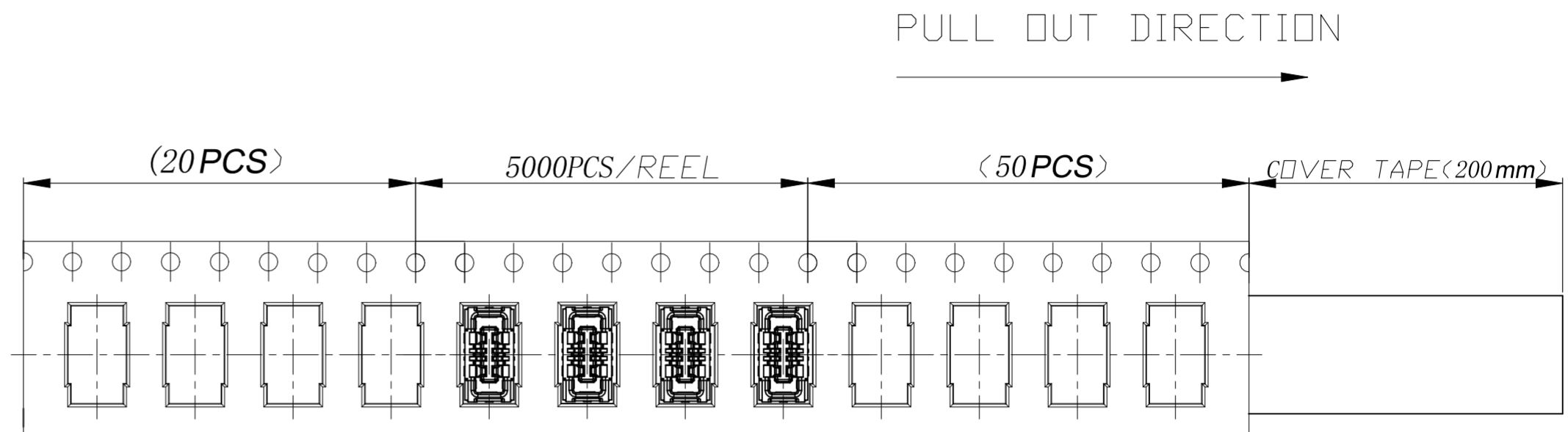
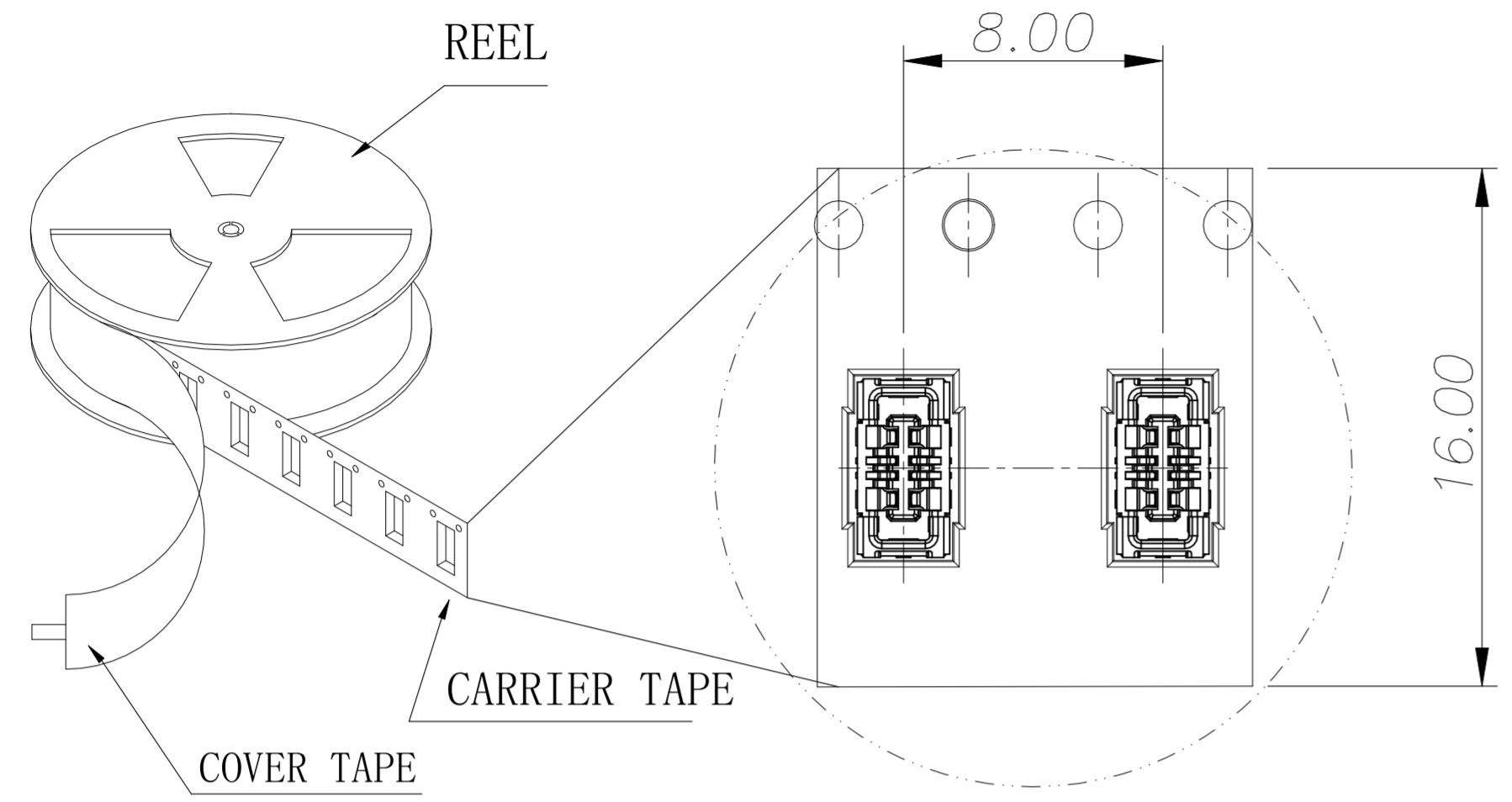
THIS DRAWING IS A CONTROLLED DOCUMENT.		DWN	Jone_Ji	05FEB2021	TE Connectivity Ltd.	
DIMENSIONS:		CHK	Niki_S	05FEB2021		
mm		APVD	Niki_S	05FEB2021		
TOLERANCES UNLESS OTHERWISE SPECIFIED: 0 PLC $\pm 0.4$ 1 PLC $\pm 0.25$ 2 PLC $\pm 0.15$ 3 PLC $\pm 0.1$ 4 PLC $\pm$ ANGLES $\pm 3$		PRODUCT SPEC	NAME			FINE PITCH BTB 8 POS REC
MATERIAL		APPLICATION SPEC	-		SIZE	A2
FINISH		WEIGHT	-		CAGE CODE	00779
-		CUSTOMER DRAWING	-		DRAWING NO	C=2386586
-		SCALE	8:1		SHEET	1 of 3
-		REV	A		RESTRICTED TO	

P	LTR	DESCRIPTION	DATE	DWN	APVD
-	-	SEE SHEET 1	-	-	-



THIS DRAWING IS A CONTROLLED DOCUMENT.		DWN	05FEB2021		<b>TE</b> TE Connectivity Ltd.
DIMENSIONS: mm		CHK	-		
TOLERANCES UNLESS OTHERWISE SPECIFIED:		APVD	-		NAME
0 PLC ± 0.4		PRODUCT SPEC	-		FINE PITCH BTB 8 POS REC
1 PLC ± 0.25		APPLICATION SPEC	-		SIZE
2 PLC ± 0.15		WEIGHT	-		A2
3 PLC ± 0.1		CUSTOMER DRAWING	CAGE CODE	00779	DRAWING NO
4 PLC ± -		SCALE	8:1		RESTRICTED TO
ANGLES ± 3		SHEET	2 of 3		REV
FINISH		REV	A		

REVISIONS					
P	LTR	DESCRIPTION	DATE	DWN	APVD
-	-	SEE SHEET 1	-	-	-



5000	7	35000
PCS/REEL	REEL/BOX	PCS/BOX
(PACKING CAPACITY)		

THIS DRAWING IS A CONTROLLED DOCUMENT.		DWN	05FEB2021		<b>STE</b> TE Connectivity Ltd.											
DIMENSIONS: mm		CHK	-													
TOLERANCES UNLESS OTHERWISE SPECIFIED:		APVD	-													
<table border="0"> <tr><td>0 PLC</td><td>± 0.4</td></tr> <tr><td>1 PLC</td><td>± 0.25</td></tr> <tr><td>2 PLC</td><td>± 0.15</td></tr> <tr><td>3 PLC</td><td>± 0.1</td></tr> <tr><td>4 PLC</td><td>±</td></tr> <tr><td>ANGLES</td><td>± 3</td></tr> </table>		0 PLC	± 0.4	1 PLC		± 0.25	2 PLC	± 0.15	3 PLC	± 0.1	4 PLC	±	ANGLES	± 3	PRODUCT SPEC	-
0 PLC	± 0.4															
1 PLC	± 0.25															
2 PLC	± 0.15															
3 PLC	± 0.1															
4 PLC	±															
ANGLES	± 3															
MATERIAL	FINISH	APPLICATION SPEC	-		NAME	FINE PITCH BTB 8 POS REC										
		WEIGHT	-		SIZE	A2										
		CUSTOMER DRAWING	SCALE	8:1	CAGE CODE	00779										
			SHEET	3 of 3	DRAWING NO	C=2386586										
			REV	A	RESTRICTED TO	-										

2386586