

| PART NUMBER | REVISION | DESCRIPTION                      | FEED TYPE  |
|-------------|----------|----------------------------------|------------|
| 2266611-1   | C        | FINE CRIMP HEIGHT ADJUST         | MECHANICAL |
| 2266611-2   | D        | FINE CRIMP HEIGHT ADJUST         | PNEUMATIC  |
| 7-2266611-1 | C        | MECHANICAL AND CRIMP TOOLING KIT | MECHANICAL |
| 7-2266611-2 | D        | PNEUMATIC AND CRIMP TOOLING KIT  | PNEUMATIC  |
| 7-2266611-7 | C        | CRIMP TOOLING KIT                | -          |

ATLANTIC VERSION TERMINATOR INTERFACE ADAPTER



| APPLICATOR DATA |                |      |
|-----------------|----------------|------|
| CRIMP           | SIZE           | TYPE |
| WIRE            | 1.63 mm [.064] | F    |
| INSUL           | 2.29 mm [.090] | OV   |

APPLICATOR INSTRUCTIONS  
408-35042

| TERMINAL DATA: KOSTAL TERMINAL KOSTAL CRIMP SPECIFICATION |                              |             |                 |
|---|------------------------------|-------------|-----------------|
| TERMINAL NAME: SLK 2.8 STECKER                            |                              |             |                 |
| WIRE STRIP LENGTH   | INSULATION DIAMETER RANGE    |             |                 |
| 4.00-4.60 mm [.157-.181 IN]                               | Ø1.10-1.60 mm [.043-.063 IN] |             |                 |
| TERMINAL APPLICATION SPECIFICATION DOC00074173 Rev 6      |                              |             |                 |
| TERMINALS APPLIED   |                              |             |                 |
| TE TERMINAL   | KOSTAL TERMINAL              | TE TERMINAL | KOSTAL TERMINAL |
| 1572292-1   | 2 21 40 47296 0              | 2113315-1   | 1 01 40 49908 0 |
| 1572292-3   | 2 21 24 47296 0              | 2113315-2   | 1 01 24 49908 0 |
| 1572292-4   | 2 21 25 47296 0              | 2113315-3   | 1 01 25 49908 0 |

| TERMINAL DATA: KOSTAL TERMINAL KOSTAL CRIMP SPECIFICATION |                              |             |                 |
|---|------------------------------|-------------|-----------------|
| TERMINAL NAME: SLK 2.8 STECKER                            |                              |             |                 |
| WIRE STRIP LENGTH   | INSULATION DIAMETER RANGE    |             |                 |
| 4.00-4.60 mm [.157-.181 IN]                               | Ø1.10-1.60 mm [.043-.063 IN] |             |                 |
| TERMINAL APPLICATION SPECIFICATION DOC00074173 Rev 6      |                              |             |                 |
| TERMINALS APPLIED   |                              |             |                 |
| TE TERMINAL   | KOSTAL TERMINAL              | TE TERMINAL | KOSTAL TERMINAL |
| 1572292-1   | 2 21 40 47296 0              | 2113315-1   | 1 01 40 49908 0 |
| 1572292-3   | 2 21 24 47296 0              | 2113315-2   | 1 01 24 49908 0 |
| 1572292-4   | 2 21 25 47296 0              | 2113315-3   | 1 01 25 49908 0 |

| WIRE SIZE | CRIMP HEIGHT mm [INCH]     | CRIMP HEIGHT REFERENCE SETTING |
|-----------|----------------------------|--------------------------------|
| 0.50mm2   | 1.00+/-0.03 [.039+/-0.001] | 8.7                            |
| 0.35mm2   | 0.99+/-0.03 [.039+/-0.001] | 8.7                            |
| 0.22mm2   | 0.97+/-0.03 [.038+/-0.001] | 8.9                            |

| WIRE SIZE | CRIMP HEIGHT mm [INCH]     | CRIMP HEIGHT REFERENCE SETTING |
|-----------|----------------------------|--------------------------------|
| 22 AWG    | 1.03+/-0.03 [.041+/-0.001] | 8.4                            |
| 24 AWG    | 1.01+/-0.03 [.040+/-0.001] | 8.3                            |

- 1. RECOMMENDED SPARE PARTS
- 2. REFER TO SUPPLIED INSTRUCTION SHEET FOR CLEANING, LUBRICATION AND STORAGE OF APPLICATOR.
- 3. APPLY PART NUMBER 1-23419-5 LOCTITE TO THREADS OF ITEM 180. APPLY PART NUMBER 2-23419-6 LOCTITE TO THREADS OF ITEM 242.
- 4. CRIMP HEIGHT REFERENCE SETTING WAS THE SETTING USED WHEN THE APPLICATOR WAS QUALIFIED AT THE FACTORY. ADJUSTMENT MAY BE NECESSARY WHEN RUNNING APPLICATOR IN THE FIELD.
- 5. UNLESS SPECIFIED OTHERWISE TORQUE VALUES SHALL BE USED PER DOCUMENT, 101-35000.

**\*WARNING**  
ON INSTALLATION, SET WIRE DISC TO CRIMP HEIGHT REFERENCE SETTING FOR LARGEST WIRE SIZE. CRIMP HEIGHT REFERENCE SETTINGS GREATER THAN THE VALUE SHOWN MAY CAUSE DAMAGE TO THE CRIMP TOOLING. REFER TO THE INSTRUCTION SHEET FOR PROPER SETUP AND ADJUSTMENTS.

ATLANTIC VERSION  
Shown on sheets 1 of 4 & 2 of 4  
(Pacific version shown on sheets 3 of 4 & 4 of 4)

| LOC | DIST | REVISIONS |     |               |           |     |      |
|-----|------|-----------|-----|---------------|-----------|-----|------|
| A   | 66   | P         | LTN | DESCRIPTION   | DATE      | DWN | APVD |
|     |      | A         |     | RELEASED      | 28JAN2015 | KH  | TE   |
|     |      | B         |     | ECR-18-007382 | 14MAY2018 | TB  | JDG  |
|     |      | C         |     | ECR-18-011563 | 19JUL2018 | AW  | CT   |
|     |      | D         |     | ECR-20-014617 | 14OCT2020 | TB  | RK   |

|   |     |     |     |     |             |                                     |                                     |   |
|---|-----|-----|-----|-----|-------------|-------------------------------------|-------------------------------------|---|
| - | 1   | -   | 1   | -   | 2119641-1   | FEED CAM, AIR FEED                  | 248                                 |   |
| - | 1   | 1   | 1   | 1   | 2119082-5   | CAM, SNAIL, INSULATION ADJUSTMENT   | 244                                 |   |
| - | 1   | 1   | 1   | 1   | 2079764-1   | WASHER, WAVE SPRING, CREST-TO-CREST | 243                                 |   |
| - | 1   | 1   | 1   | 1   | 2119083-1   | RETAINER, INSULATION DIAL           | 242                                 |   |
| - | 1   | 1   | 1   | 1   | 7-18023-7   | SCR, SKT HD CAP M3 X 4.0            | 241                                 |   |
| - | -   | 1   | -   | 1   | 2119580-1   | MECHANICAL FEED ASSEMBLY            | 239                                 |   |
| - | 1   | -   | 1   | -   | 2844940-1   | AIR FEED MODULE                     | 238                                 |   |
| - | 2   | 2   | 2   | 2   | 1-2079383-0 | SCR, BHSC, RoHS (M3 X 6)            | 230                                 |   |
| - | 1   | 1   | 1   | 1   | 2-1752354-4 | STANDOFF, HOLD-DOWN                 | 180                                 |   |
| - | 1   | 1   | 1   | 1   | 1-1976053-7 | LOCATER BLOCK, TERMINAL             | 179                                 |   |
| - | 1   | 1   | 1   | 1   | 993111-1    | PIN, SLOTTED SPRING 3.0 X 20.0      | 177                                 |   |
| - | 1   | 1   | 1   | 1   | 8-22280-7   | SPRING, COMPRESSION                 | 176                                 |   |
| - | 1   | 1   | 1   | 1   | 1752353-2   | GUIDE PIN, HOLDDOWN                 | 175                                 |   |
| - | 1   | 1   | 1   | 1   | 1901680-2   | GUIDE PIN, HOLDDOWN                 | 174                                 |   |
| - | REF | REF | REF | REF | 994970-2    | COUNTER, MAGNETIC                   | 164                                 |   |
| - | 1   | 1   | 1   | 1   | 2844908-1   | SCREW, LOCKING                      | 99                                  |   |
| - | 1   | 1   | 1   | 1   | 2844907-1   | POST, LOCKING                       | 98                                  |   |
| - | 1   | 1   | 1   | 1   | 455888-5    | SPACER, CRIMPER                     | 82                                  |   |
| - | 1   | 1   | 1   | 1   | 1803607-3   | DOCUMENTATION PACKAGE               | 71                                  |   |
| - | 1   | 1   | 1   | 1   | 2119740-1   | TAG, IDENTIFICATION                 | 67                                  |   |
| - | 2   | 2   | 2   | 2   | 2168078-1   | SCREW, DRIVE, RH, RoHS, 2 x .188    | 66                                  |   |
| - | 1   | 1   | 1   | 1   | 2168083-2   | SCR, SKT HD CAP, RoHS, M4 X 8.0     | 60                                  |   |
| - | 1   | 1   | 1   | 1   | 5-18022-5   | SCR, HEX HD CAP, M4 X 6.0           | 59                                  |   |
| - | 1   | 1   | 1   | 1   | 1338685-1   | PAWL, FEED                          | 56                                  |   |
| - | 4   | 4   | 4   | 4   | 2168083-3   | SCR, SKT HD CAP, RoHS, M4 X 12.0    | 54                                  |   |
| - | 1   | 1   | 1   | 1   | 1-5018030-0 | NUT, HEX, REG, RoHS, M3.5           | 52                                  |   |
| - | 1   | 1   | 1   | 1   | 2-1901681-2 | HOLDDOWN, TERMINAL                  | 51                                  |   |
| - | 1   | 2   | 1   | 2   | 18023-9     | SCR, SKT HD CAP M4 X 6.0            | 49                                  |   |
| - | -   | 1   | -   | 1   | 2119652-1   | FEED CAM, PRE FEED                  | 48                                  |   |
| - | -   | 1   | -   | 1   | 2119653-1   | FEED CAM, POST FEED                 | 47                                  |   |
| - | 1   | 1   | 1   | 1   | 1803583-9   | APPLICATOR BASIC ASSEMBLY, SF       | 46                                  |   |
| - | 1   | 1   | 1   | 1   | 1803515-3   | RAM ASSEMBLY, SF ATLANTIC           | 44                                  |   |
| - | 1   | 1   | 1   | 1   | 1803602-1   | SCR, BHSC, RoHS (M8 X 25)           | 41                                  |   |
| - | 1   | 1   | 1   | 1   | 1752356-1   | SUPPORT, TERMINAL                   | 34                                  |   |
| - | 2   | 2   | 2   | 2   | 2079383-5   | SCR, BHSC, RoHS (M4 X 20)           | 33                                  |   |
| - | 2   | 2   | 2   | 2   | 2-2844962-8 | SPACER, CYLINDRICAL, STRIP GUIDE    | 30                                  |   |
| - | 1   | 1   | 1   | 1   | 2844992-4   | ASSEMBLY, STRIP GUIDE               | 29                                  |   |
| - | 1   | 1   | 1   | 1   | 455888-3    | SPACER, CRIMPER                     | 28                                  |   |
| - | 1   | 1   | 1   | 1   | 240792-1    | DRAG, TERMINAL                      | 25                                  |   |
| - | 1   | 1   | 1   | 1   | 1320928-2   | STRIP GUIDE                         | 24                                  |   |
| - | 1   | 1   | 1   | 1   | 2168083-2   | SCR, SKT HD CAP, RoHS, M4 X 8.0     | 21                                  |   |
| - | 2   | 2   | 2   | 2   | 1-18028-2   | WASHER, FLAT, REG M4                | 20                                  |   |
| - | 1   | 1   | 1   | 1   | 2119533-1   | STRIPPER, SIDE FEED                 | 19                                  |   |
| - | 1   | 1   | 1   | 1   | 2119806-1   | INSERT, SHEAR                       | 13                                  |   |
| - | 1   | 1   | 1   | 1   | 3-22280-3   | SPRING, COMPRESSION                 | 12                                  |   |
| - | 1   | 1   | 1   | 1   | 1-356885-4  | STOP, SHEAR                         | 11                                  |   |
| - | 1   | 1   | 1   | 1   | 2119805-1   | SHEAR HOLDER, FRONT                 | 10                                  |   |
| - | 1   | 1   | 1   | 1   | 1803095-1   | FLOATING SHEAR, FRONT               | 9                                   |   |
| - | 1   | 2   | 2   | 1   | 1           | 3-1803514-9                         | ANVIL, COMBINATION                  | 8 |
| - | -   | -   | -   | -   | -           | -                                   | 7                                   |   |
| - | -   | -   | -   | -   | -           | -                                   | 6                                   |   |
| - | 1   | 1   | 1   | 1   | 2119757-4   | DEPRESSOR, SHEAR                    | 5                                   |   |
| - | 1   | 1   | 1   | 1   | 238011-4    | BLOCK, CRIMPER SPACER               | 4                                   |   |
| - | 1   | 2   | 2   | 1   | 1           | 3-1803221-6                         | CRIMPER, INSULATION OVERLAP PREMIUM | 3 |
| - | 1   | 1   | 1   | 1   | 455888-1    | SPACER, CRIMPER                     | 2                                   |   |
| - | 1   | 2   | 2   | 1   | 1           | 6-1633738-4                         | CRIMPER, WIRE                       | 1 |

| DIMENSIONS: |         | TOLERANCES UNLESS OTHERWISE SPECIFIED: |         | MATERIAL: |         | FINISH: |        | WEIGHT: |  | SCALE:                                 |       | SHEET: |       | REV: |    |   |     |   |
|-------------|---------|--|---------|-----------|---------|---------|--------|---------|--|--|-------|--------|-------|------|----|---|-----|---|
| mm          | 0 PLC ± | 1 PLC ±                                | 2 PLC ± | 3 PLC ±   | 4 PLC ± | ANGLES  | FINISH |         |  | Customer Accessible Production Drawing | SCALE | 1:2    | SHEET | 1    | OF | 4 | REV | D |

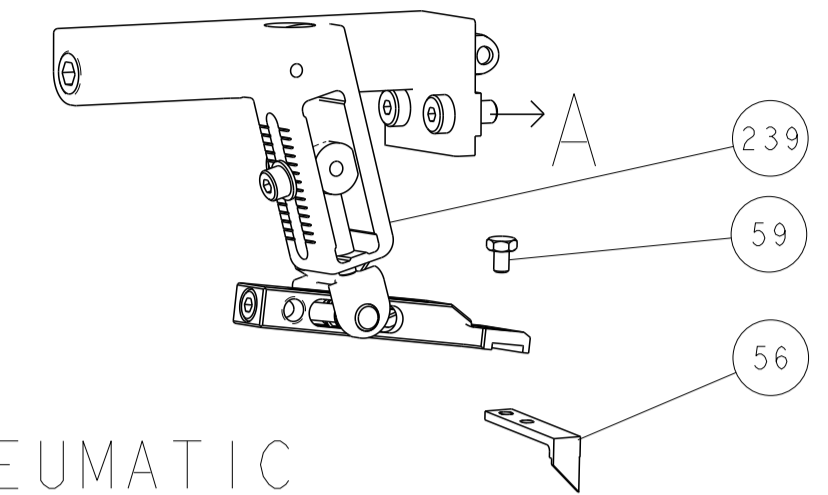
**STE** TE Connectivity  
Harrisburg, PA 17105-3608

NAME: Ocean Side Feed Applicator

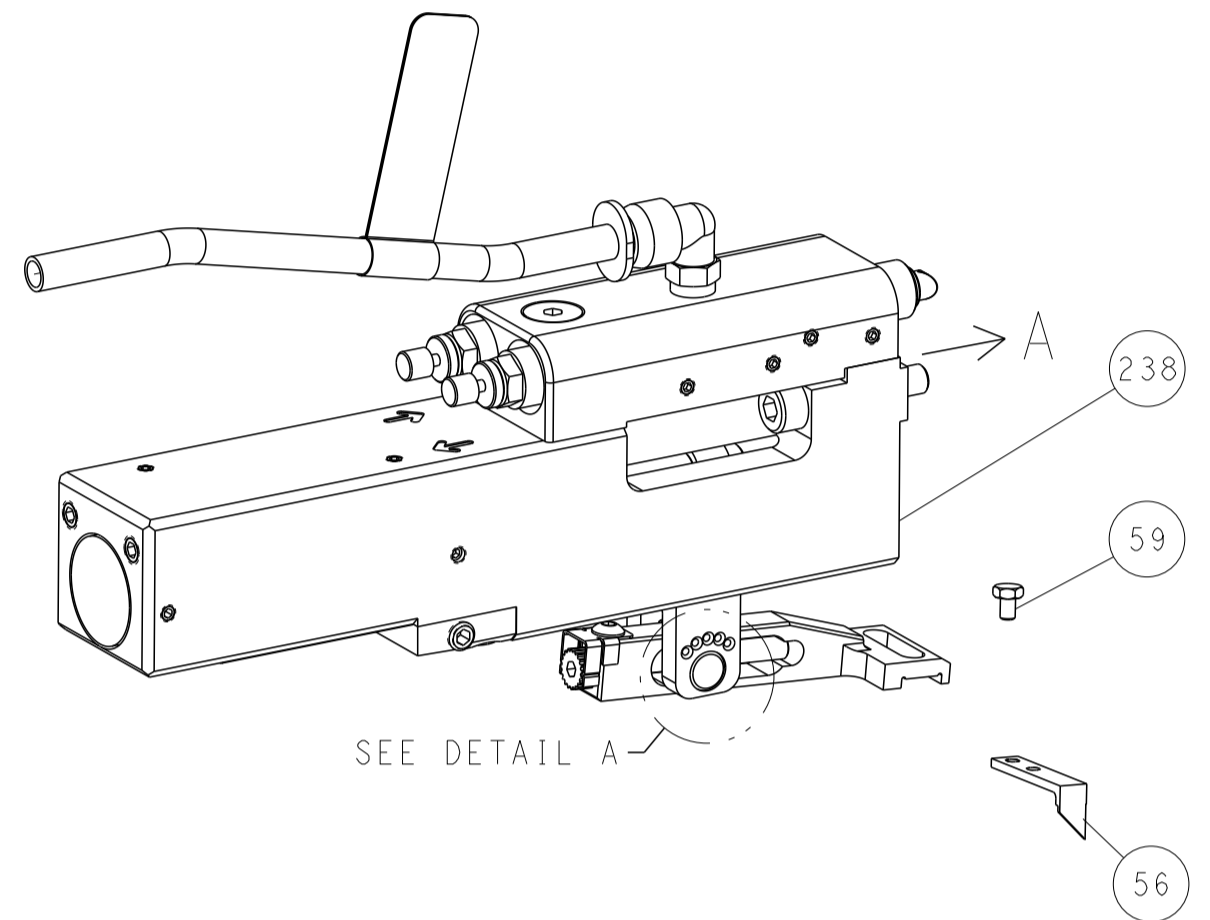
SIZE: A1 CAGE CODE: 00779 DRAWING NO: 2266611

| LOC | DIST | REVISIONS |     |             |      |     |      |
|-----|------|-----------|-----|-------------|------|-----|------|
| A   | 66   | P         | LTN | DESCRIPTION | DATE | DWN | APVD |
|     |      | -         |     | SEE SHEET 1 | -    | -   | -    |

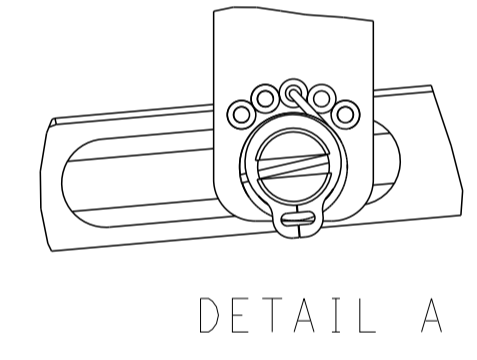
# FEED TYPE MECHANICAL



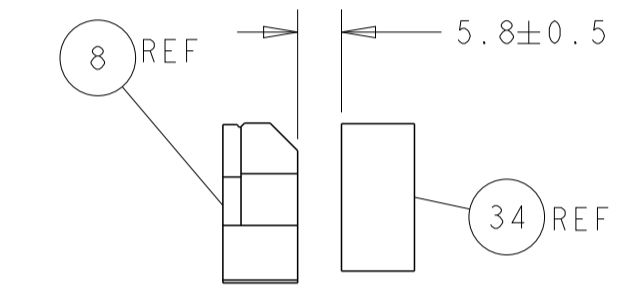
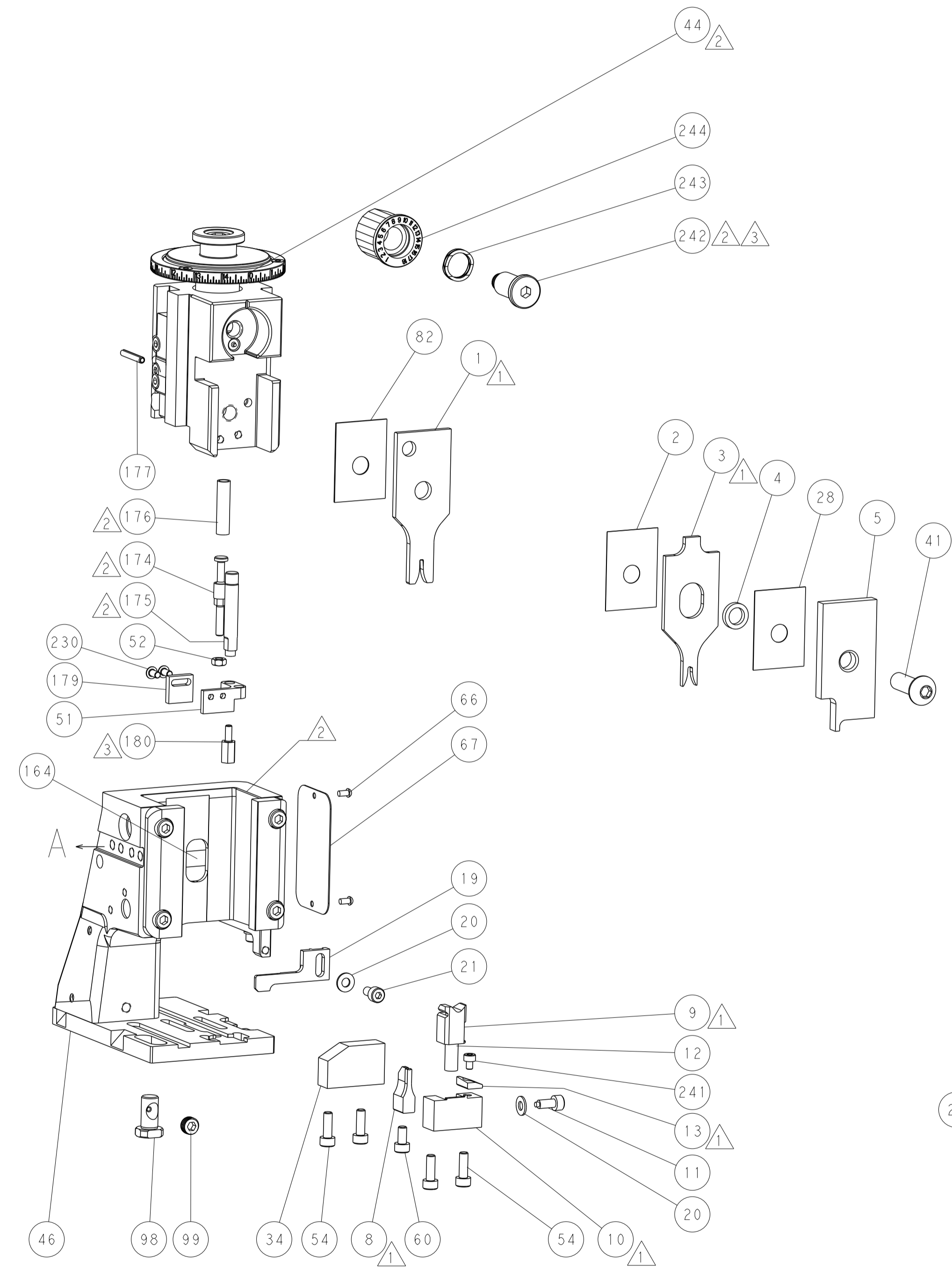
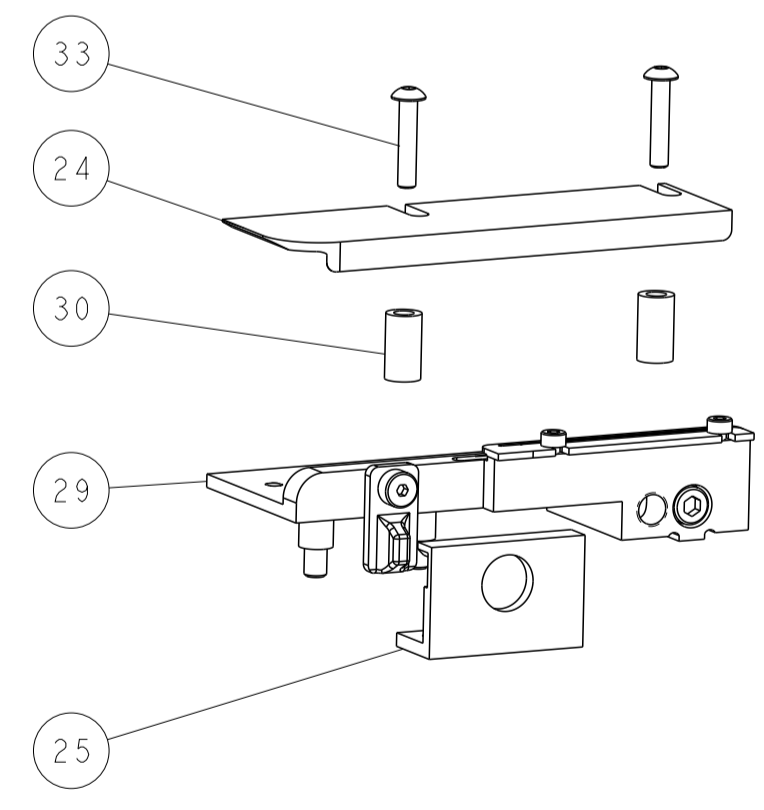
## PNEUMATIC



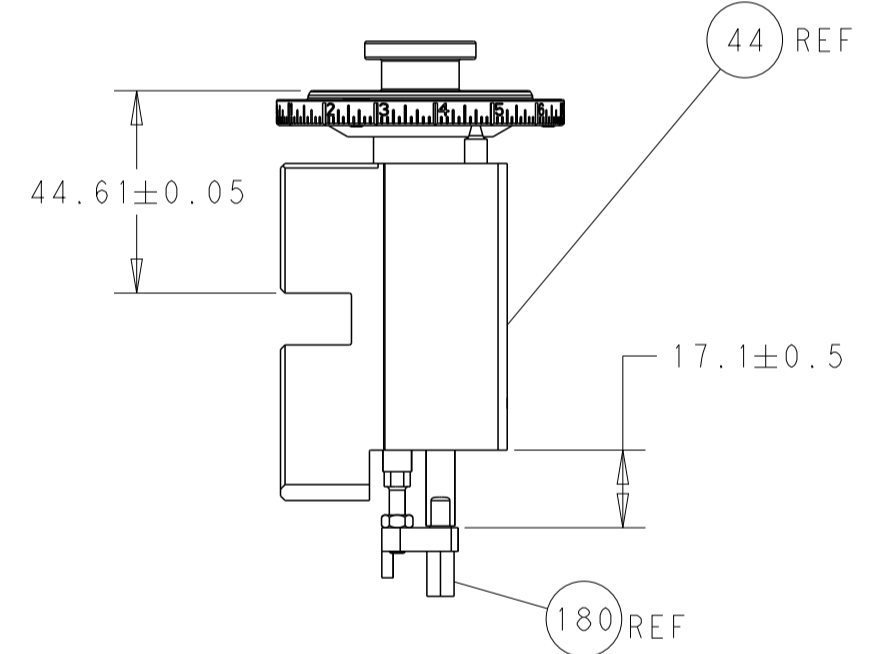
## FEED SPRING SETTING POSITION (SHOWN FROM REAR SIDE)



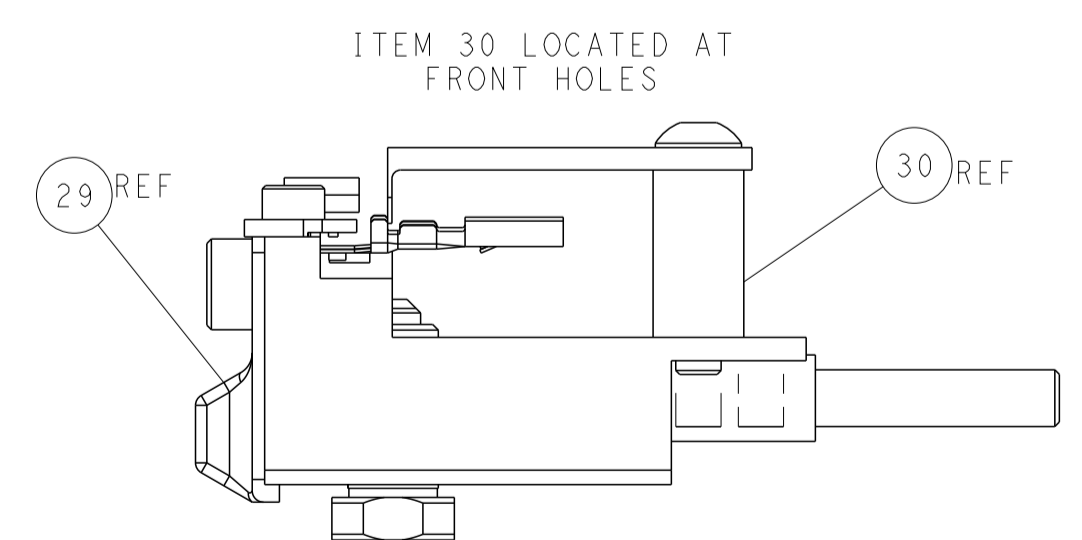
DETAIL A



TERMINAL SUPPORT LOCATION

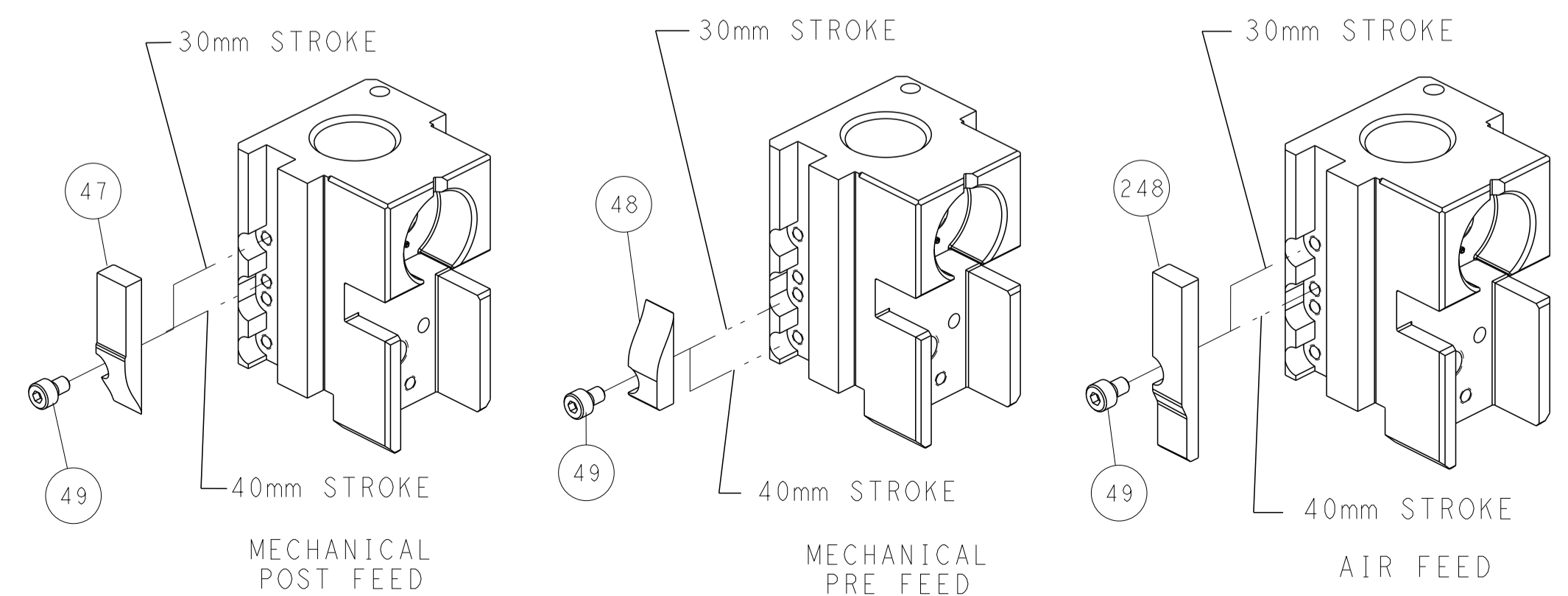


RAM AND HOLDDOWN SET-UP



FEED TRACK POSITION GUIDE BY INSULATION BARREL

# CAM POSITIONS



**ATLANTIC VERSION**  
 Shown on sheets 1 of 4 & 2 of 4  
 (Pacific version shown on sheets 3 of 4 & 4 of 4)

|                    |  |   |  |  |  |
|--------------------|--|---|--|--|--|
| DIMENSIONS: mm<br> |  | TOLERANCES UNLESS OTHERWISE SPECIFIED:<br>0 PLC ±<br>1 PLC ±<br>2 PLC ±<br>3 PLC ±<br>4 PLC ±<br>ANGLES ±<br>FINISH ± |  | DWN R. HUANG 11DEC2014<br>CHK L. ZHANG 11DEC2014<br>APVD J. GUO 11DEC2014<br>NAME Ocean Side Feed Applicator<br>SIZE CAGE CODE DRAWING NO. RESTRICTED TO<br>A1 00779 C=2266611<br>WEIGHT Customer Accessible Production Drawing SCALE 1:2 SHEET 2 OF 4 REV D |  |
| MATERIAL:          |  |   |  | TE Connectivity Harrisburg, PA 17105-3608<br>©=2266611<br>SHEETS 3 & 4 ARE NOT REQUIRED FOR ATLANTIC VERSION   |  |

| PART NUMBER | REVISION | DESCRIPTION              | FEED TYPE  |
|-------------|----------|--------------------------|------------|
| 2-2266611-1 | C        | FINE CRIMP HEIGHT ADJUST | MECHANICAL |
| 2-2266611-2 | D        | FINE CRIMP HEIGHT ADJUST | PNEUMATIC  |
| 7-2266611-7 | C        | CRIMP TOOLING KIT        | -          |

PACIFIC VERSION TERMINATOR  
INTERFACE ADAPTER



| APPLICATOR DATA                      |                |      |
|--------------------------------------|----------------|------|
| CRIMP                                | SIZE           | TYPE |
| WIRE                                 | 1.63 mm [.064] | F    |
| INSUL                                | 2.29 mm [.090] | OV   |
| APPLICATOR INSTRUCTIONS<br>408-35042 |                |      |

TERMINAL DATA: KOSTAL TERMINAL KOSTAL CRIMP SPECIFICATION  
TERMINAL NAME: SLK 2.8 STECKER

| WIRE STRIP LENGTH                                       | INSULATION DIAMETER RANGE    |             |                 |
|---|------------------------------|-------------|-----------------|
| 4.00-4.60 mm [.157-.181 IN]                             | ∅1.10-1.60 mm [.043-.063 IN] |             |                 |
| TERMINAL APPLICATION SPECIFICATION<br>DOC00074173 Rev 6 |                              |             |                 |
| TERMINALS APPLIED                                       |                              |             |                 |
| TE TERMINAL   | KOSTAL TERMINAL              | TE TERMINAL | KOSTAL TERMINAL |
| 1572292-1   | 2 21 40 47296 0              | 2113315-1   | 1 01 40 49908 0 |
| 1572292-3   | 2 21 24 47296 0              | 2113315-2   | 1 01 24 49908 0 |
| 1572292-4   | 2 21 25 47296 0              | 2113315-3   | 1 01 25 49908 0 |

TERMINAL DATA: KOSTAL TERMINAL KOSTAL CRIMP SPECIFICATION  
TERMINAL NAME: SLK 2.8 STECKER

| WIRE STRIP LENGTH                                       | INSULATION DIAMETER RANGE    |             |                 |
|---|------------------------------|-------------|-----------------|
| 4.00-4.60 mm [.157-.181 IN]                             | ∅1.10-1.60 mm [.043-.063 IN] |             |                 |
| TERMINAL APPLICATION SPECIFICATION<br>DOC00074173 Rev 6 |                              |             |                 |
| TERMINALS APPLIED                                       |                              |             |                 |
| TE TERMINAL   | KOSTAL TERMINAL              | TE TERMINAL | KOSTAL TERMINAL |
| 1572292-1   | 2 21 40 47296 0              | 2113315-1   | 1 01 40 49908 0 |
| 1572292-3   | 2 21 24 47296 0              | 2113315-2   | 1 01 24 49908 0 |
| 1572292-4   | 2 21 25 47296 0              | 2113315-3   | 1 01 25 49908 0 |

| WIRE SIZE | CRIMP HEIGHT mm [INCH]        | CRIMP HEIGHT REFERENCE SETTING |
|-----------|-------------------------------|--------------------------------|
| 0.50mm2   | 1.00 +/- 0.03 [.039 +/- .001] | 8.7                            |
| 0.35mm2   | 0.99 +/- 0.03 [.039 +/- .001] | 8.7                            |
| 0.22mm2   | 0.97 +/- 0.03 [.038 +/- .001] | 8.9                            |

| WIRE SIZE | CRIMP HEIGHT mm [INCH]        | CRIMP HEIGHT REFERENCE SETTING |
|-----------|-------------------------------|--------------------------------|
| 22 AWG    | 1.03 +/- 0.03 [.041 +/- .001] | 8.4                            |
| 24 AWG    | 1.01 +/- 0.03 [.040 +/- .001] | 8.3                            |



- 1 RECOMMENDED SPARE PARTS
- 2 REFER TO SUPPLIED INSTRUCTION SHEET FOR CLEANING, LUBRICATION AND STORAGE OF APPLICATOR.
- 3 APPLY PART NUMBER 1-23419-5 LOCTITE TO THREADS OF ITEM 180. APPLY PART NUMBER 2-23419-6 LOCTITE TO THREADS OF ITEM 242.
- 4 CRIMP HEIGHT REFERENCE SETTING WAS THE SETTING USED WHEN THE APPLICATOR WAS QUALIFIED AT THE FACTORY. ADJUSTMENT MAY BE NECESSARY WHEN RUNNING APPLICATOR IN THE FIELD.
- 5. UNLESS SPECIFIED OTHERWISE TORQUE VALUES SHALL BE USED PER DOCUMENT, 101-35000.

**\*WARNING**  
ON INSTALLATION, SET WIRE DISC TO CRIMP HEIGHT REFERENCE SETTING FOR LARGEST WIRE SIZE. CRIMP HEIGHT REFERENCE SETTINGS GREATER THAN THE VALUE SHOWN MAY CAUSE DAMAGE TO THE CRIMP TOOLING. REFER TO THE INSTRUCTION SHEET FOR PROPER SETUP AND ADJUSTMENTS.

PACIFIC VERSION  
Shown on sheets 3 of 4 & 4 of 4  
(Atlantic version shown on sheets 1 of 4 & 2 of 4)

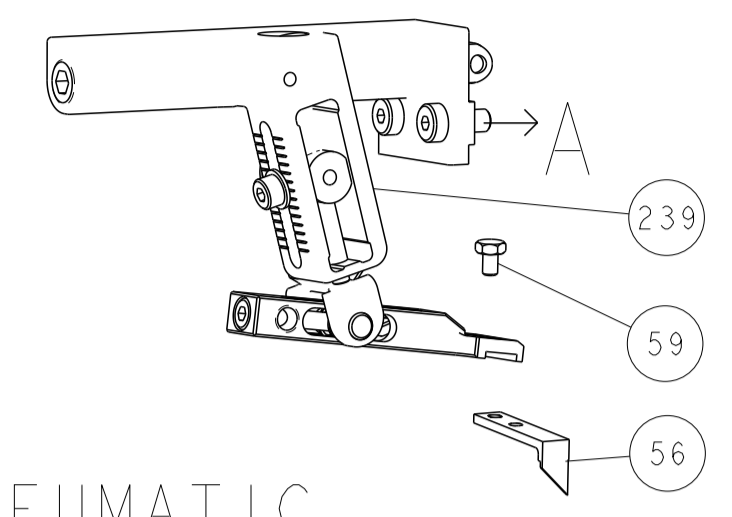
| LOC | DIST | REVISIONS |     |             |      |     |      |
|-----|------|-----------|-----|-------------|------|-----|------|
| A   | 66   | P         | LTN | DESCRIPTION | DATE | OWN | APVD |
| -   | -    | -         | -   | SEE SHEET 1 | -    | -   | -    |

|   |     |     |             |                                     |                           |     |
|---|-----|-----|-------------|-------------------------------------|---------------------------|-----|
| - | 1   | 1   | 2119082-5   | CAM, SNAIL, INSULATION ADJUSTMENT   | 244                       |     |
| - | 1   | 1   | 2079764-1   | WASHER, WAVE SPRING, CREST-TO-CREST | 243                       |     |
| 3 | -   | 1   | 1           | 2119083-1                           | RETAINER, INSULATION DIAL | 242 |
| - | 1   | 1   | 7-18023-7   | SCR, SKT HD CAP M3 X 4.0            | 241                       |     |
| - | -   | 1   | 2119580-1   | MECHANICAL FEED ASSEMBLY            | 239                       |     |
| - | 1   | -   | 2844940-1   | AIR FEED MODULE                     | 238                       |     |
| - | 2   | 2   | 1-2079383-0 | SCR, BHSC, RoHS (M3 X 6)            | 230                       |     |
| 3 | -   | 1   | 1           | 2-1752354-4                         | STANDOFF, HOLD-DOWN       | 180 |
| - | 1   | 1   | 1-1976053-7 | LOCATER BLOCK, TERMINAL             | 179                       |     |
| - | 1   | 1   | 993111-1    | PIN, SLOTTED SPRING 3.0 X 20.0      | 177                       |     |
| - | 1   | 1   | 8-22280-7   | SPRING, COMPRESSION                 | 176                       |     |
| - | 1   | 1   | 1752353-2   | GUIDE PIN, HOLDDOWN                 | 175                       |     |
| - | 1   | 1   | 1901680-2   | GUIDE PIN, HOLDDOWN                 | 174                       |     |
| - | REF | REF | 994970-2    | COUNTER, MAGNETIC                   | 164                       |     |
| - | 1   | -   | 2119641-2   | FEED CAM, AIR FEED                  | 151                       |     |
| - | 1   | 1   | 2168083-8   | SCR, SKT HD CAP, RoHS, M4 X 16      | 144                       |     |
| - | 4   | 4   | 2168083-9   | SCR, SKT HD CAP, RoHS, M4 X 20      | 143                       |     |
| - | -   | 1   | 2119653-2   | FEED CAM, POST FEED                 | 142                       |     |
| - | 1   | 1   | 1-1803583-0 | APPLICATOR BASIC ASSEMBLY, SF       | 141                       |     |
| - | 1   | 1   | 1803516-1   | RAM ASSEMBLY, SF PACIFIC            | 140                       |     |
| - | 1   | 1   | 2844908-1   | SCREW, LOCKING                      | 99                        |     |
| - | 1   | 1   | 2844907-1   | POST, LOCKING                       | 98                        |     |
| - | 1   | 1   | 455888-5    | SPACER, CRIMPER                     | 82                        |     |
| - | 1   | 1   | 1803607-3   | DOCUMENTATION PACKAGE               | 71                        |     |
| - | 1   | 1   | 2119740-1   | TAG, IDENTIFICATION                 | 67                        |     |
| - | 2   | 2   | 2168078-1   | SCREW, DRIVE, RH, RoHS, 2 x .188    | 66                        |     |
| - | 1   | 1   | 5-18022-5   | SCR, HEX HD CAP, M4 X 6.0           | 59                        |     |
| - | 1   | 1   | 1338685-1   | PAWL, FEED                          | 56                        |     |
| - | 1   | 1   | 1-5018030-0 | NUT, HEX, REG, RoHS, M3.5           | 52                        |     |
| - | 1   | 1   | 2-1901681-2 | HOLDDOWN, TERMINAL                  | 51                        |     |
| - | 1   | 2   | 18023-9     | SCR, SKT HD CAP M4 X 6.0            | 49                        |     |
| - | -   | 1   | 2119652-1   | FEED CAM, PRE FEED                  | 48                        |     |
| - | 1   | 1   | 1803602-1   | SCR, BHSC, RoHS (M8 X 25)           | 41                        |     |
| - | 1   | 1   | 1752356-1   | SUPPORT, TERMINAL                   | 34                        |     |
| - | 2   | 2   | 2079383-5   | SCR, BHSC, RoHS (M4 X 20)           | 33                        |     |
| - | 2   | 2   | 2-2844962-8 | SPACER, CYLINDRICAL, STRIP GUIDE    | 30                        |     |
| - | 1   | 1   | 2844992-4   | ASSEMBLY, STRIP GUIDE               | 29                        |     |
| - | 1   | 1   | 455888-3    | SPACER, CRIMPER                     | 28                        |     |
| - | 1   | 1   | 240792-1    | DRAG, TERMINAL                      | 25                        |     |
| - | 1   | 1   | 1320928-2   | STRIP GUIDE                         | 24                        |     |
| - | 1   | 1   | 2168083-2   | SCR, SKT HD CAP, RoHS, M4 X 8.0     | 21                        |     |
| - | 2   | 2   | 1-18028-2   | WASHER, FLAT, REG M4                | 20                        |     |
| - | 1   | 1   | 2119533-1   | STRIPPER, SIDE FEED                 | 19                        |     |
| 1 | 1   | 1   | 2119806-1   | INSERT, SHEAR                       | 13                        |     |
| - | 1   | 1   | 3-22280-3   | SPRING, COMPRESSION                 | 12                        |     |
| - | 1   | 1   | 1-356885-4  | STOP, SHEAR                         | 11                        |     |
| 1 | 1   | 1   | 2119805-1   | SHEAR HOLDER, FRONT                 | 10                        |     |
| 1 | 1   | 1   | 1803095-1   | FLOATING SHEAR, FRONT               | 9                         |     |
| 1 | 1   | 1   | 3-1803514-9 | ANVIL, COMBINATION                  | 8                         |     |
| - | -   | -   | -           | -                                   | 7                         |     |
| - | -   | -   | -           | -                                   | 6                         |     |
| - | 1   | 1   | 2119757-4   | DEPRESSOR, SHEAR                    | 5                         |     |
| - | 1   | 1   | 238011-4    | BLOCK, CRIMPER SPACER               | 4                         |     |
| 1 | 1   | 1   | 3-1803221-6 | CRIMPER, INSULATION OVERLAP PREMIUM | 3                         |     |
| - | 1   | 1   | 455888-1    | SPACER, CRIMPER                     | 2                         |     |
| 1 | 1   | 1   | 6-1633738-4 | CRIMPER, WIRE                       | 1                         |     |

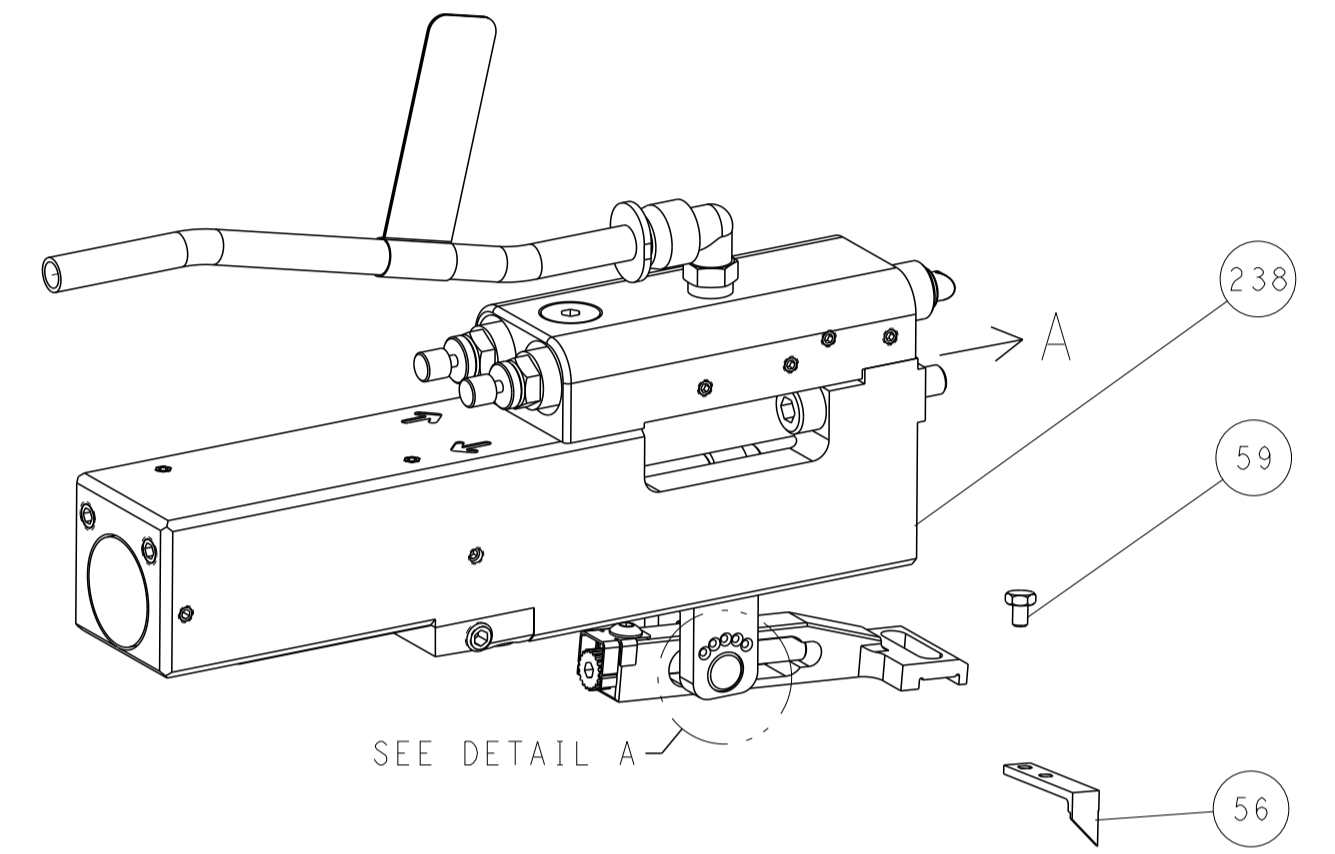
| DIMENSIONS:                            |         | TOLERANCES UNLESS OTHERWISE SPECIFIED: |         | MATERIAL: |         | FINISH: |        | WEIGHT: |  | SCALE: |     | SHEET: |    | REV: |   |
|--|---------|--|---------|-----------|---------|---------|--------|---------|--|--------|-----|--------|----|------|---|
| mm                                     | 0 PLC ± | 1 PLC ±                                | 2 PLC ± | 3 PLC ±   | 4 PLC ± | ANGLES  | FINISH |         |  |        | 1:2 | 3      | OF | 4    | D |
| Customer Accessible Production Drawing |         |  |         |           |         |         |        |         |  |        |     |        |    |      |   |

| LOC | DIST | REVISIONS |     |             |      |     |      |
|-----|------|-----------|-----|-------------|------|-----|------|
| A   | 66   | P         | LTN | DESCRIPTION | DATE | OWN | APVD |
|     |      | -         |     | SEE SHEET 1 |      |     |      |

# FEED TYPE MECHANICAL



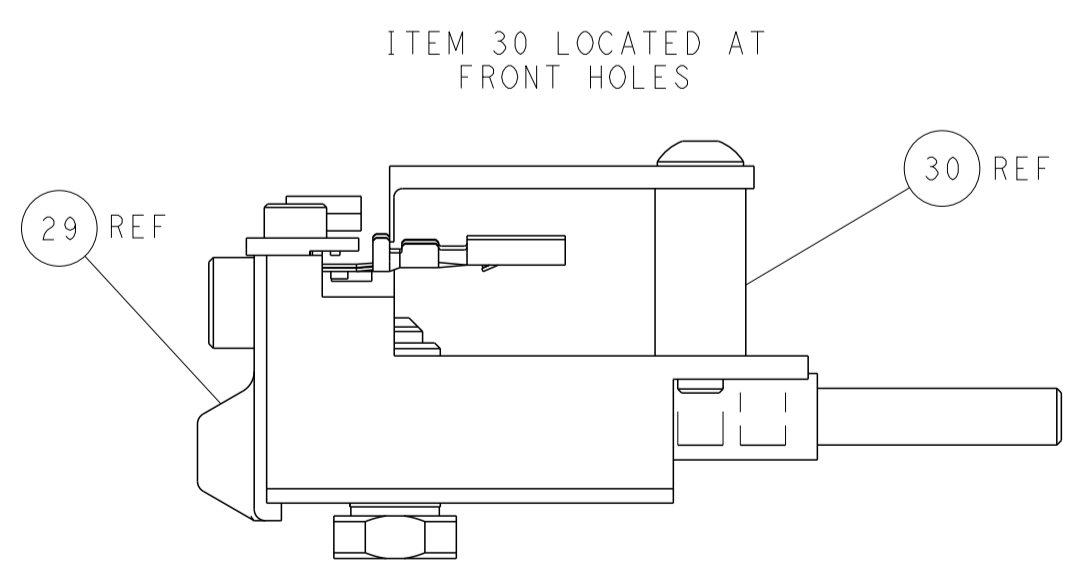
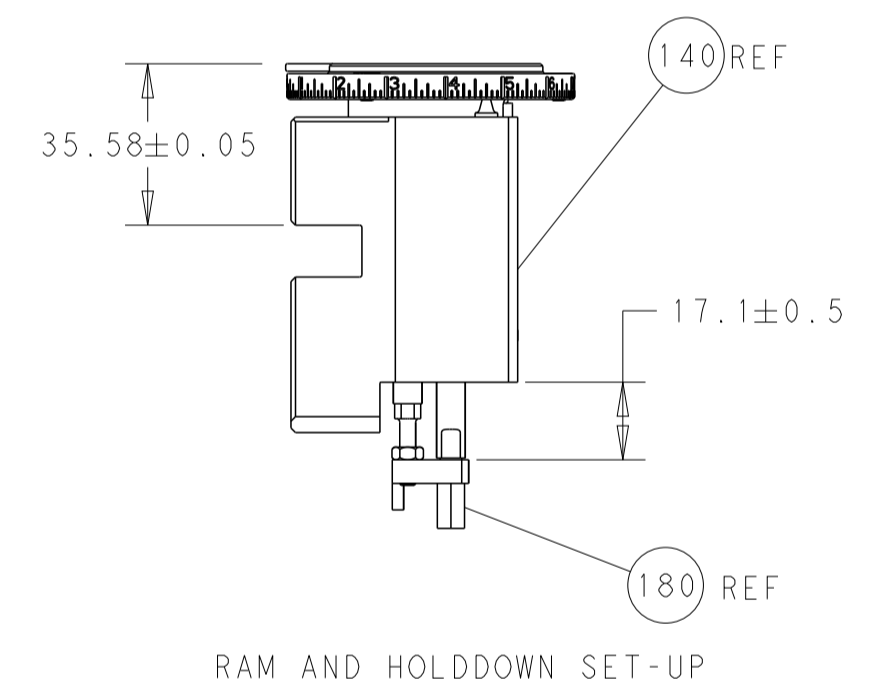
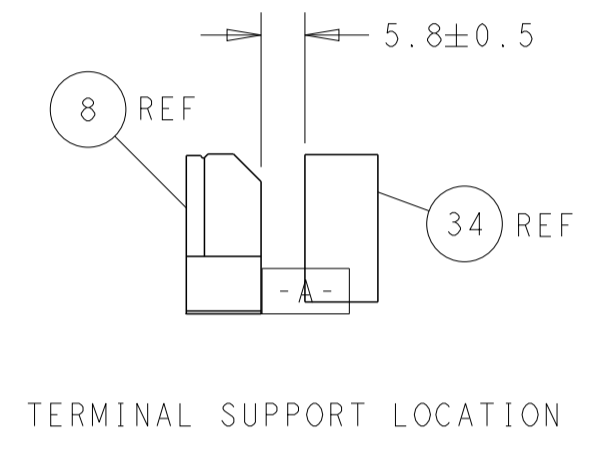
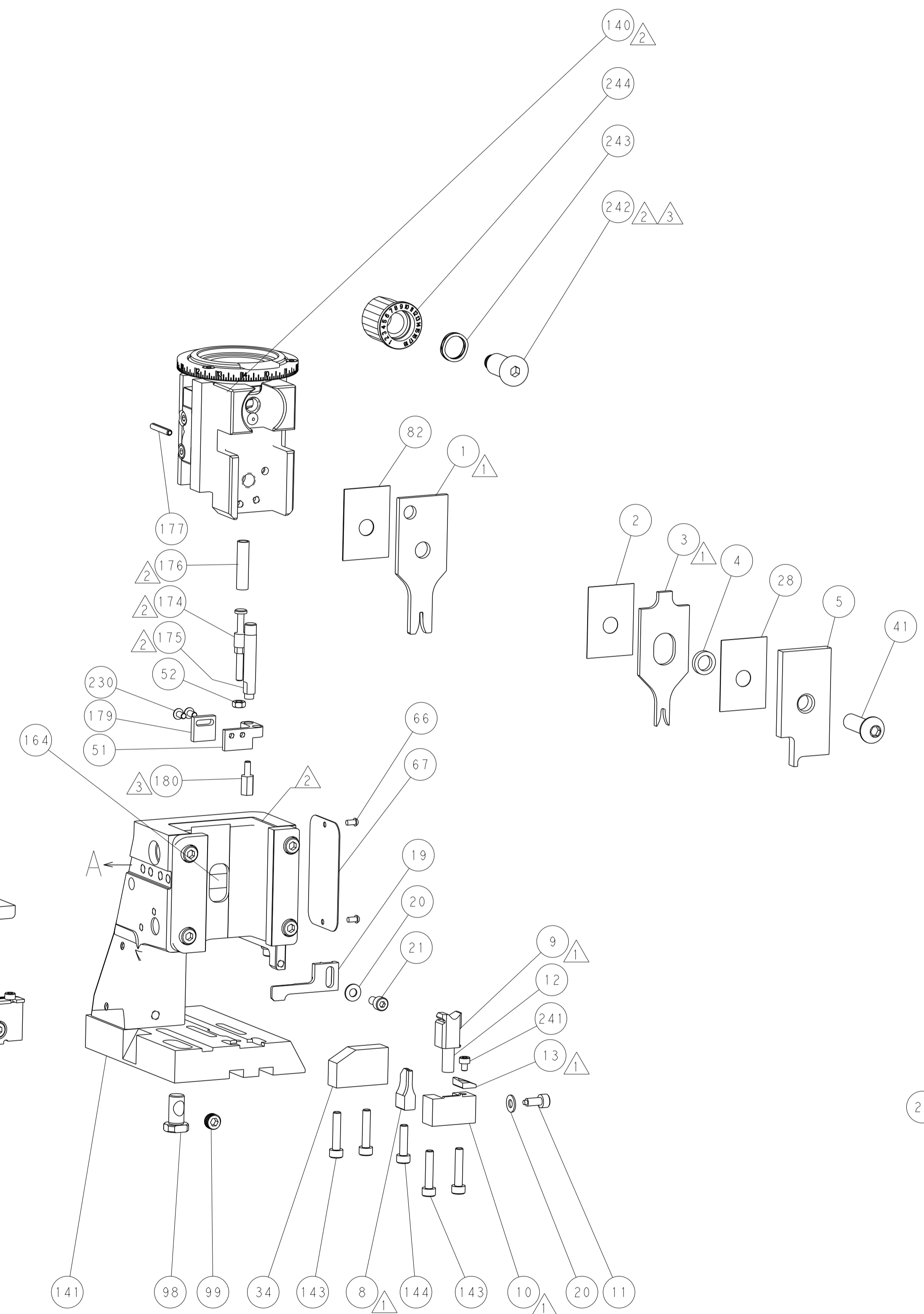
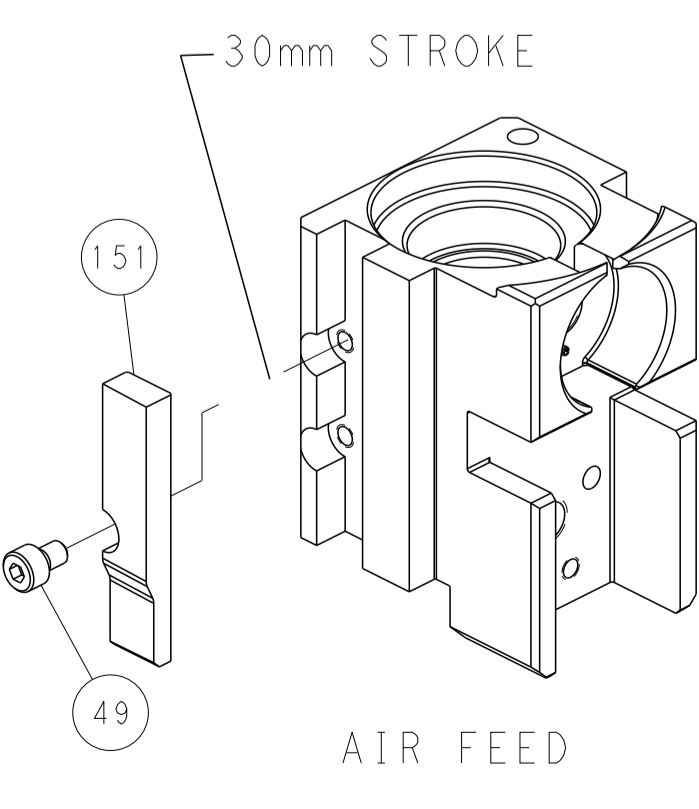
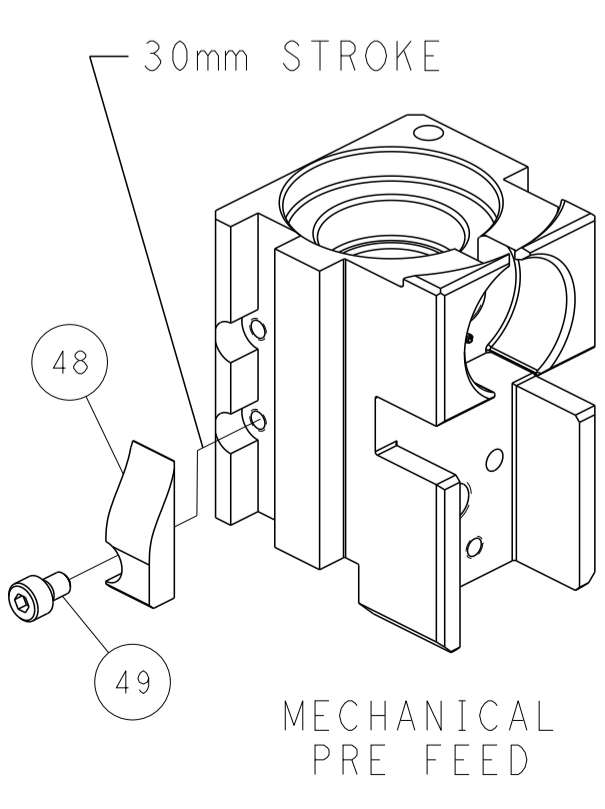
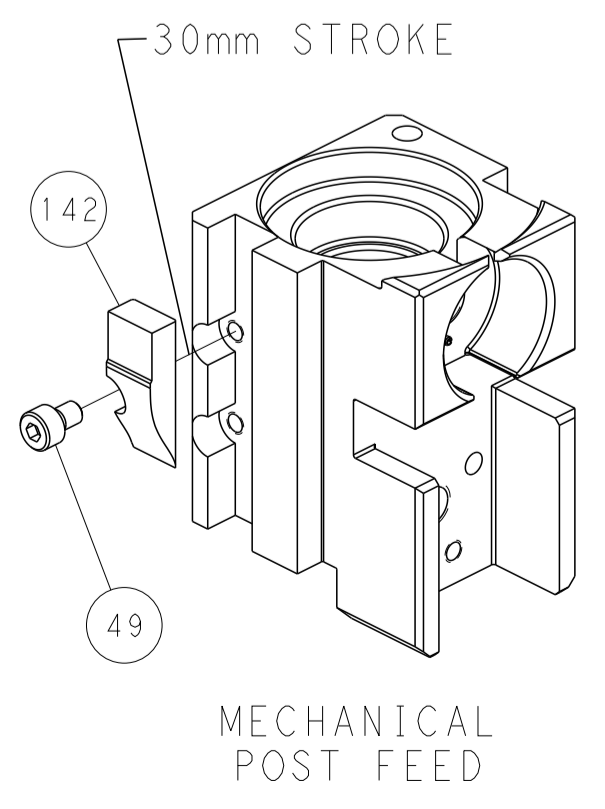
## PNEUMATIC



### FEED SPRING SETTING POSITION (SHOWN FROM REAR SIDE)



## CAM POSITIONS



**PACIFIC VERSION**  
 Shown on sheets 3 of 4 & 4 of 4  
 (Atlantic version shown on sheets 1 of 4 & 2 of 4)

|  |  |   |  |
|--|--|---|--|
| <small>THIS DRAWING IS UNPUBLISHED. RELEASED FOR PUBLICATION. ALL RIGHTS RESERVED. © 2014 BY TYCO ELECTRONICS CORPORATION. THIS DRAWING IS THE PROPERTY OF TYCO ELECTRONICS CORPORATION AND IS NOT TO BE REPRODUCED OR TRANSMITTED IN ANY FORM OR BY ANY MEANS, ELECTRONIC OR MECHANICAL, INCLUDING PHOTOCOPYING, RECORDING, OR BY ANY INFORMATION STORAGE AND RETRIEVAL SYSTEM, WITHOUT THE WRITTEN PERMISSION OF TYCO ELECTRONICS CORPORATION.</small> |  | DWN: R. HUANG 11DEC2014<br>CHK: L. ZHANG 11DEC2014<br>APVD: J. GUO 11DEC2014                          | TE Connectivity<br>Harrisburg, PA 17105-3608                                 |
| DIMENSIONS: mm<br>TOLERANCES UNLESS OTHERWISE SPECIFIED:<br>0 PLC ±<br>1 PLC ±<br>2 PLC ±<br>3 PLC ±<br>4 PLC ±<br>ANGLES FINISH ±   |  | NAME: Ocean Side Feed Applicator<br>PRODUCT SPEC: -<br>APPLICATION SPEC: -<br>WEIGHT: -<br>SCALE: 1:2 | SIZE: A1<br>CAGE CODE: 00779<br>DRAWING NO: 2266611<br>SHEET 4 OF 4<br>REV D |
| MATERIAL: -<br>FINISH: -   |  | Customer Accessible Production Drawing  |  |