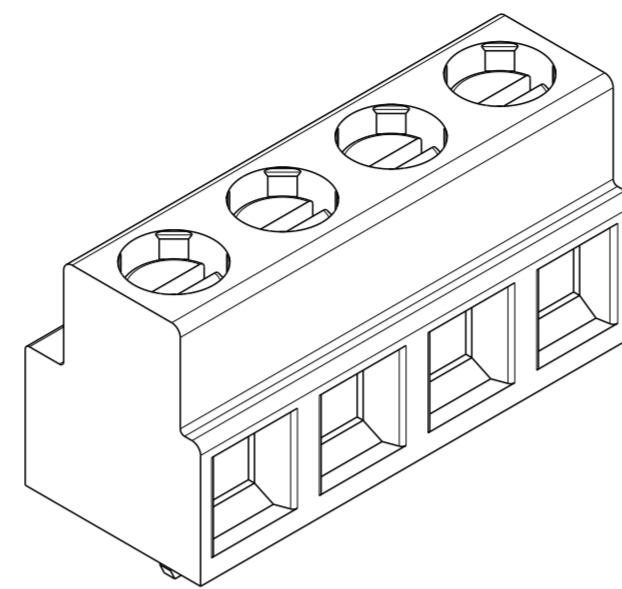
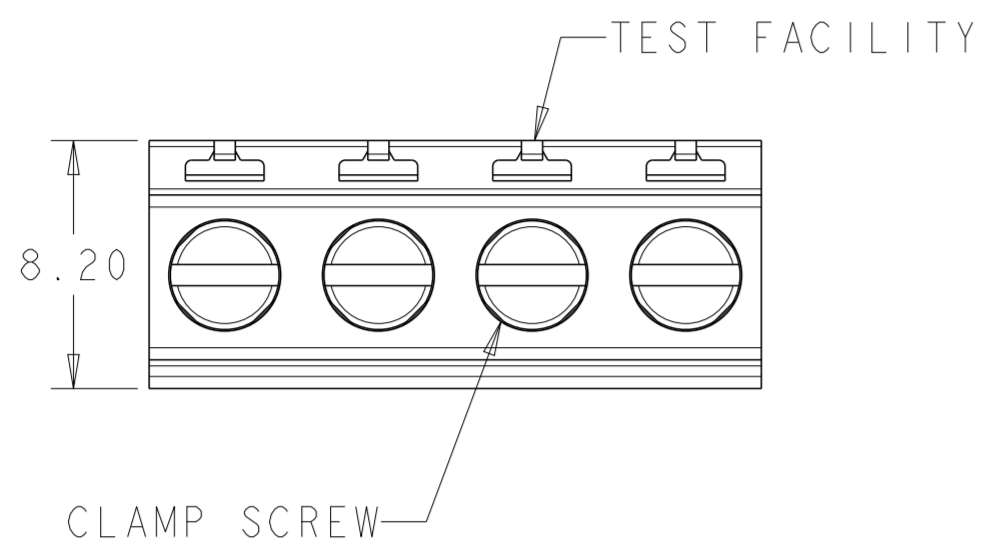


REVISIONS				
P	LTR	DESCRIPTION	DATE	APVD
	B7	DRAFTING ERROR CORRECTION	01JUL2019	RK PS



1776119-4 AS SHOWN

- MATERIAL AND FINISH  
 HOUSING : HIGH TEMPERATURE POLYAMIDE, UL 94V-0 RATED,  
 COLOR: BLACK  
 CLAMP : COPPER ALLOY, NICKEL PLATED.  
 TERMINAL: COPPER ALLOY, TIN PLATED.  
 CLAMPING SCREW: M3, COPPER ALLOY, NICKEL PLATED.

- MECHANICAL:  
 RECOMENDED TIGHTENING TORQUE : 0.5Nm  
 WIRE STRIPPING LENGTH : 5.0-6.0mm  
 BOARD HOLES DIAMETER : 1.3mm  
 MAX. PC BOARD THICKNESS : 2.4mm

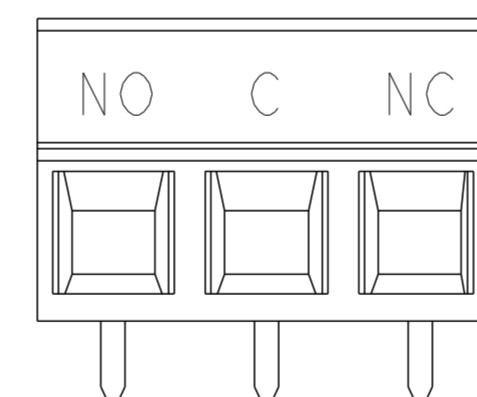
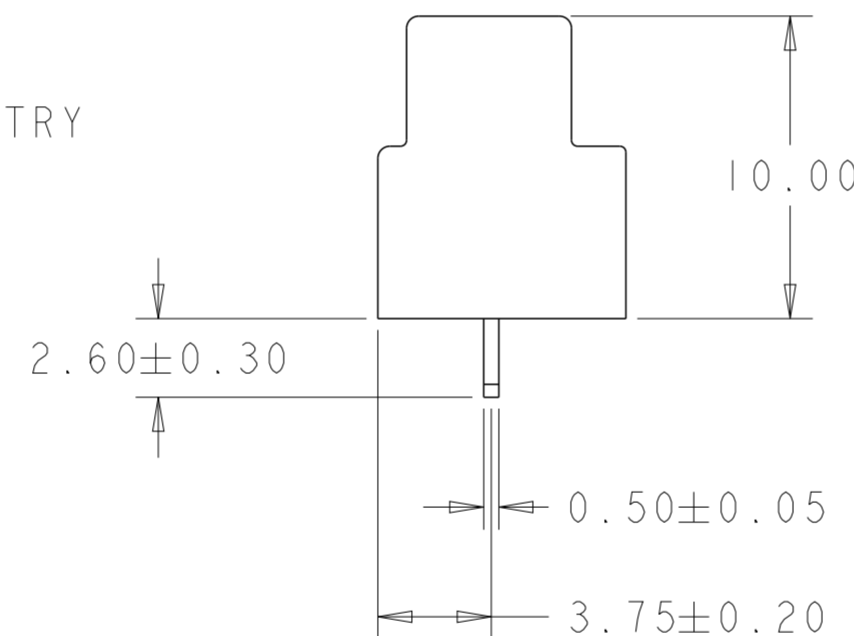
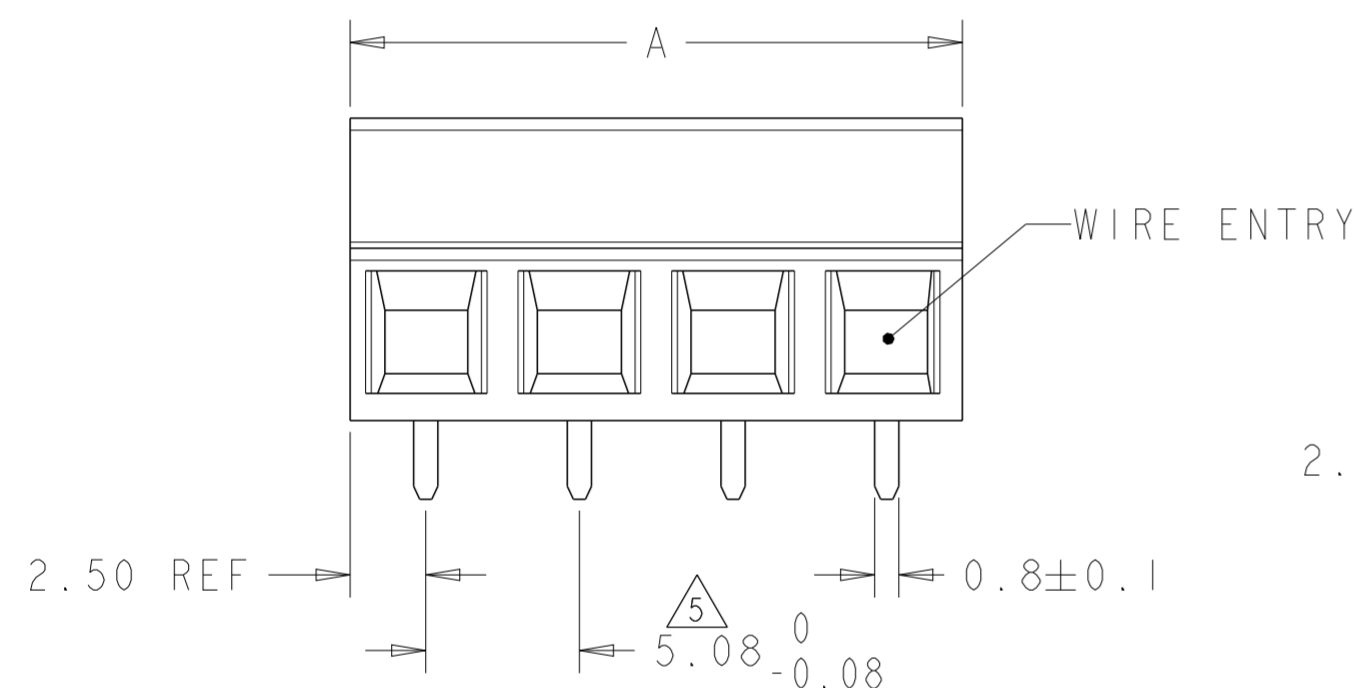
- ELECTRICAL  
 WIRE RANGE : 16-30 AWG  
 MAX. VOLTAGE : 300 V  
 MAX CURRENT : 13.5 A  
 CONTACT RESISTANCE : < 15 m Ohm  
 INSULATION RESISTANCE : > 1000 M Ohm (500V DC)

- OPERATING TEMPERATURE RANGE: -40°C TO +105°C

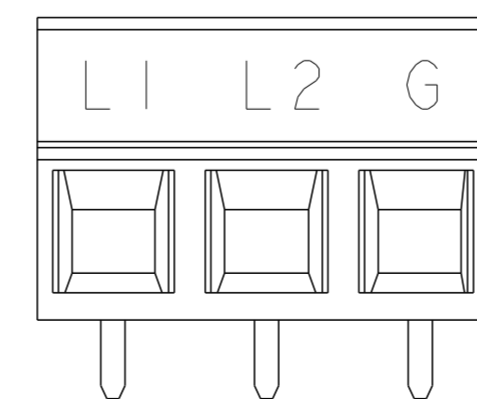
⚠ TOLERANCE NOT CUMULATIVE.

6. RECOGNIZED UNDER THE COMPONENT PROGRAM OF UNDERWRITERS LABORATORIES IN.. FILE NO. E60677.

⚠ PERMANENT INK MARKING, WHITE.

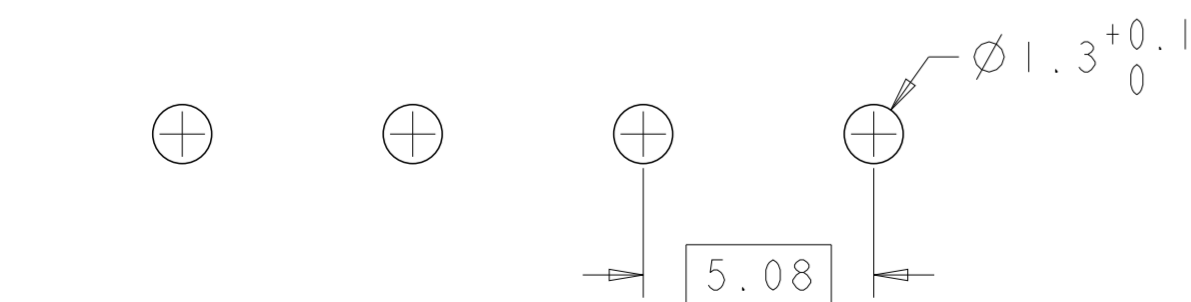


2-1776119-0 AS SHOWN



2-1776119-1 AS SHOWN

⚠	15.24 <sup>+0</sup> <sub>-0.22</sub>	3	2-1776119-1
⚠	15.24 <sup>+0</sup> <sub>-0.22</sub>	3	2-1776119-0
	30.48 <sup>+0</sup> <sub>-0.45</sub>	6	1776119-6
	25.40 <sup>+0</sup> <sub>-0.38</sub>	5	1776119-5
	20.32 <sup>+0</sup> <sub>-0.30</sub>	4	1776119-4
	15.24 <sup>+0</sup> <sub>-0.22</sub>	3	1776119-3
	10.16 <sup>+0</sup> <sub>-0.16</sub>	2	1776119-2
	A	NO OF POSN	PART NUMBER



RECOMMENDED PC BOARD LAYOUT

THIS DRAWING IS A CONTROLLED DOCUMENT.		DWN S. WELDON 19NOV2008	TE Connectivity	
DIMENSIONS: mm		CHK C. RICHARD 19NOV2008		
TOLERANCES UNLESS OTHERWISE SPECIFIED:		APVD C. RICHARD 19NOV2008	NAME	
0 PLC ±		PRODUCT SPEC	TERMINAL BLOCK ASSEMBLY, PCB MOUNT, STACKING SIDE WIRE ENTRY, 5.08mm PITCH	
1 PLC ±0.2		APPLICATION SPEC	SIZE	RESTRICTED TO
2 PLC ±0.15			A2	
3 PLC ±0.001		WEIGHT	CAGE CODE	
4 PLC ±0.0001			00779	
ANGLES ±2°		CUSTOMER DRAWING	DRAWING NO	
FINISH		SCALE 4:1	G-1776119	
MATERIAL SEE NOTES		SHEET 1 OF 1	REV B7	
SEE NOTES				