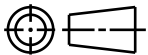
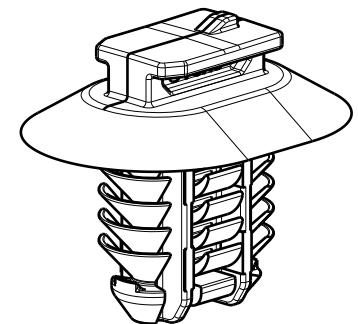
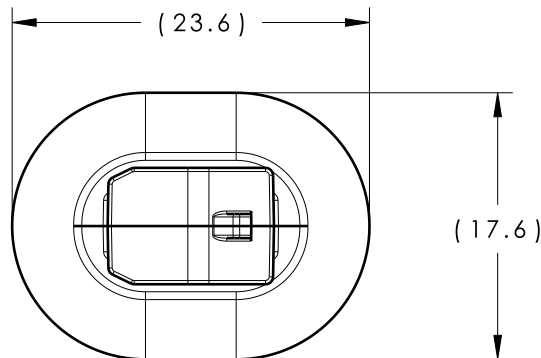


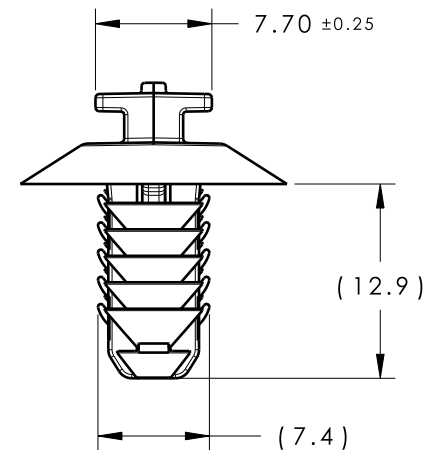
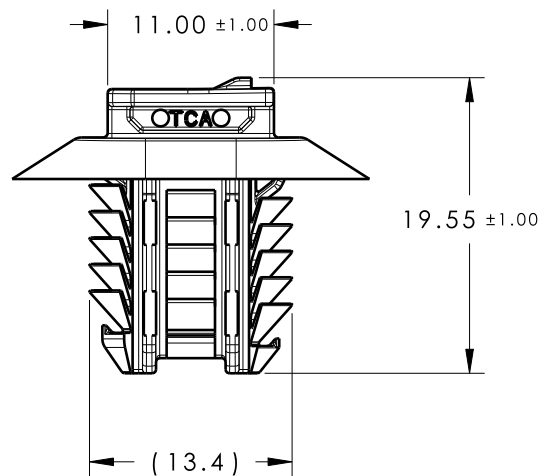
CATIA V5



Revision Level		Revision Record	Changed	Date	Approved	Date
Drawing	Part					
02.00	A	SEE ECN# 012552	CJR	01/15/14	KVH	01/15/14



ISOMETRIC VIEW



REFERENCE:

- PERFORMANCE REQUIREMENTS AT DRY AS MOLDED:
1. FIR TREE PUSH IN FORCE: 45 NEWTONS (10 LBS) MAX IN EACH APPLICABLE OVAL HOLE SIZE AND A PLATE THICKNESS OF 1.8mm.
 2. FIR TREE PULL OUT FORCE: 110 NEWTONS (25 LBS) MIN IN EACH APPLICABLE OVAL HOLE SIZE AND A PLATE THICKNESS OF 1.8mm.
 3. SHEET METAL THICKNESS RANGE: 0.60mm - 6.75mm
 4. APPLICABLE OVAL HOLE SIZES:
 - A. 6.2 X 12.2mm
 - B. 6.5 X 12.5mm
 - C. 6.5 X 13.0mm
 - D. 7.0 X 12.0mm

Material PA66HIRHS COLOR: BLACK	Units	millimeters	The copyright of this drawing is reserved by HellermannTyton. It is issued on condition that it is not reproduced, copied or disclosed to a third party, either wholly or in part, without the consent of HellermannTyton.	Drawn	MHT	04/26/13	Article/Type-No CCOVAL5	Scale	2:1	
	Tolerance defined on each dimension	Approved		SJA	04/26/13	Title OVAL FIR TREE WITH TYCO CONNECTOR SLOT		Project Number	13-0523	
		<p>North America Email: corp@htamericas.com Web: www.hellermann.tyton.com</p>			Drawing-No		PRODUCTION : Phase	Format	AH	
					13-0523-001-CSU		02	Sheet	1/1	

