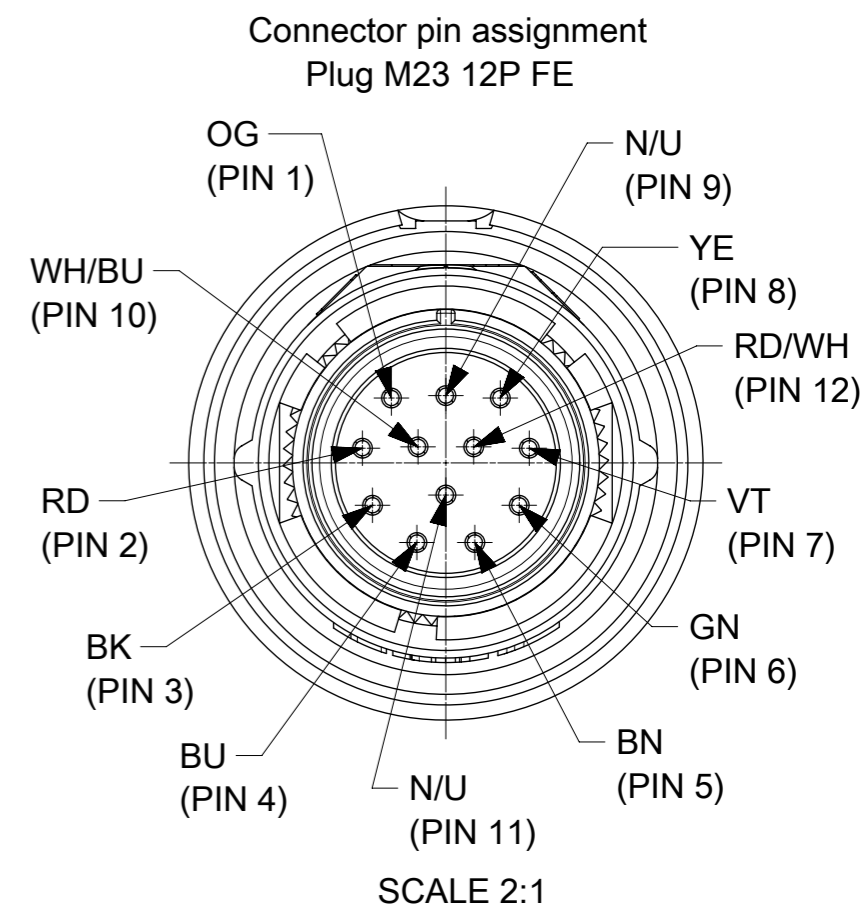
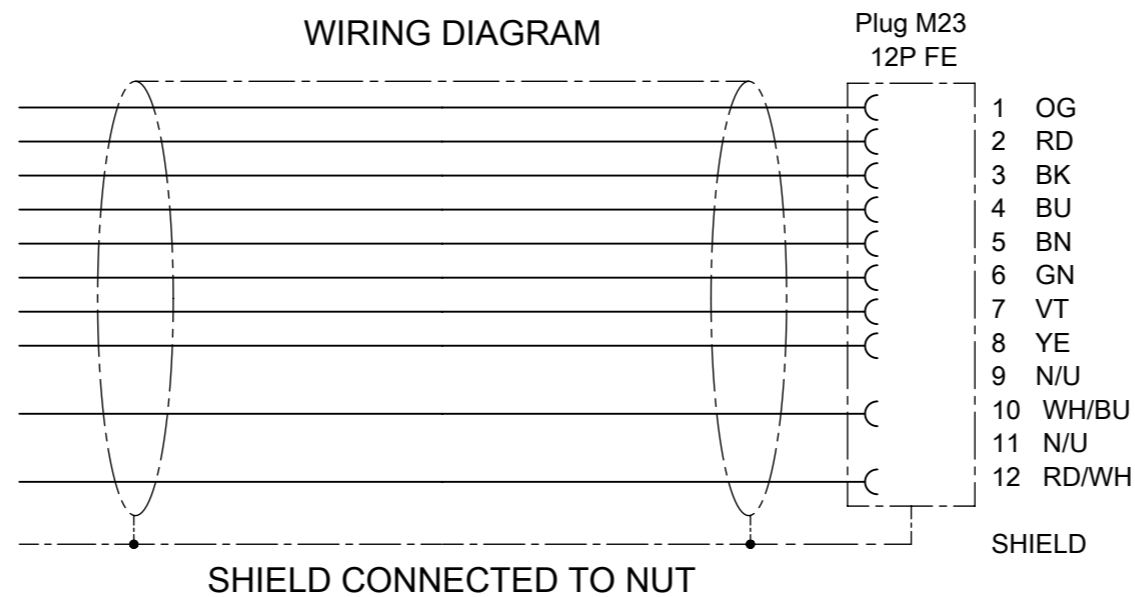


TABLE 1

MOLEX PN	L [mm]	Tol. [mm]
1204901567	1000	+40
1204901568	2000	+60
1204901569	3000	+60
1204901570	4000	+60
1204901571	5000	+60
1204901572	10000	+80
1204901573	15000	+140
1204901574	20000	+140



Technical Data:

Number of positions 12

Number of contacts 12

Contact Ø [mm] 1

Nominal current [A] 9 (for 0.50mm²)
5 (for 0.38mm²)

Nominal voltage [V~] 200

Degree of pollution 3

Test voltage [V~] 2500

Max. contact resistance [mΩ] 3

Insulation resistance [MΩ] >10¹⁰

Protection IP67 (connected)

Temperature range (fixed) -40°C to 90°C

Temperature range (flex) -25°C to 80°C

Further details see Product Specification 1204900050

The cordsets delivered packed into carton without PE-bag

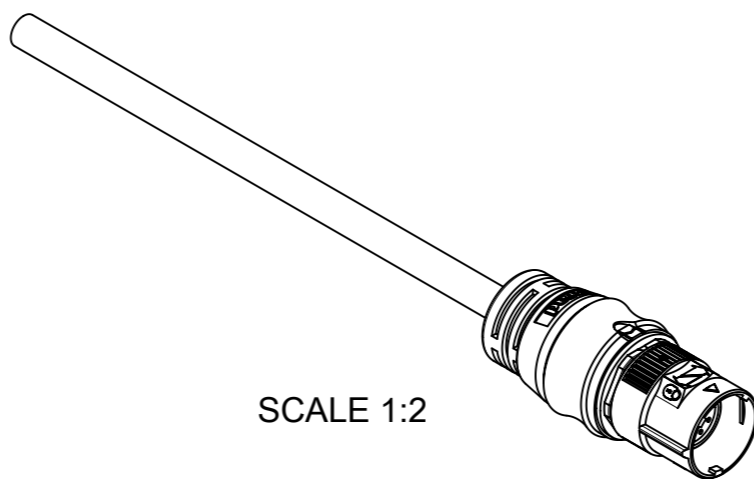


TABLE 2

ITEM	QTY	DESCRIPTION
1	1	PLG M23QC 12P PC FE STR SHLD
2	1	CABLE 4X(2X0.38)+4X0.5 WSOR GN D9.5 SHLD

THIS DRAWING CONTAINS INFORMATION THAT IS PROPRIETARY TO MOLEX ELECTRONIC TECHNOLOGIES, LLC AND SHOULD NOT BE USED WITHOUT WRITTEN PERMISSION

SYMBOLS

▽ = 0	mm	SCALE 1:1
▽ = 1	GENERAL TOLERANCES (UNLESS SPECIFIED)	
▽ = 0	ANGULAR TOL ± 1.0°	
▽ = 0	4 PLACES	±
▽ = 0	3 PLACES	±
▽ = 0	2 PLACES	± 0.05
▽ = 0	1 PLACE	± 0.3
▽ = 0	0 PLACES	± 0.5
■ = 0	DRAFT WHERE APPLICABLE MUST REMAIN WITHIN DIMENSIONS	
▽ = 0	THIRD ANGLE PROJECTION	DRAWING

CURRENT REV DESC:

EC NO: 625960

DRWN: THAERDT 2019/10/21

CHK'D: RSILLER 2019/11/21

APPR: RSILLER 2019/11/21

INITIAL REVISION:

DRWN: MSCHERER 2018/06/29

APPR: RSILLER 2019/11/21

molex

CSE M23QC 12P SC FE STR WSOR 1M SHLD

PRODUCT CUSTOMER DRAWING

DOCUMENT NUMBER	DOC TYPE	DOC PART	REVISION
1204901567	PSD	000	A

MATERIAL NUMBER	CUSTOMER	SHEET NUMBER
SEE TABLE 1	GENERAL MARKET	1 OF 1

FORMAT: mm 1:1 2019/11/21 07:37:46