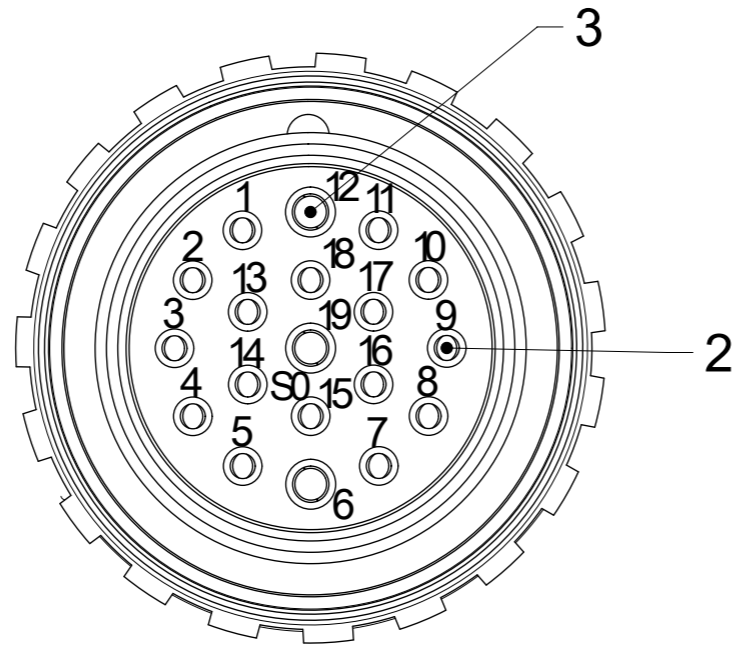


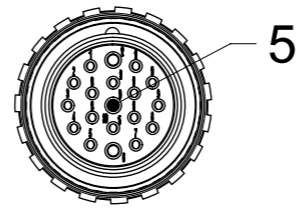
Wiring Diagram

1	N/C
2	N/C
3	Gray
4	Red/Blue
5	Green
6	Blue
7	Gray/Pink
8	White/Green
9	N/C
10	N/C
11	N/C
12	Green/Yellow
13	N/C
14	Brown/Green
15	White
16	Yellow
17	N/C
18	N/C
19	Brown

Connector Pin Assignment for M23 19 Pole Front Side View

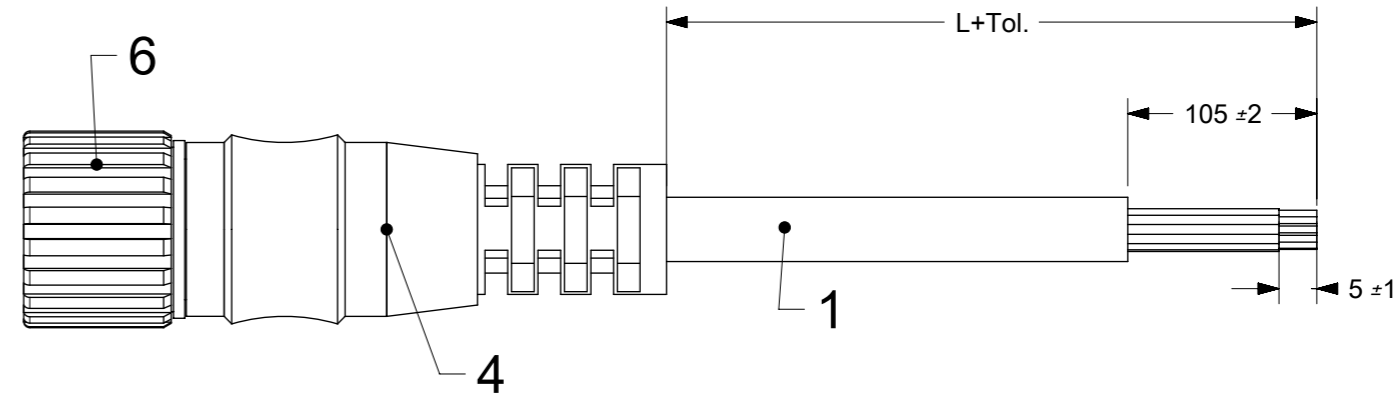
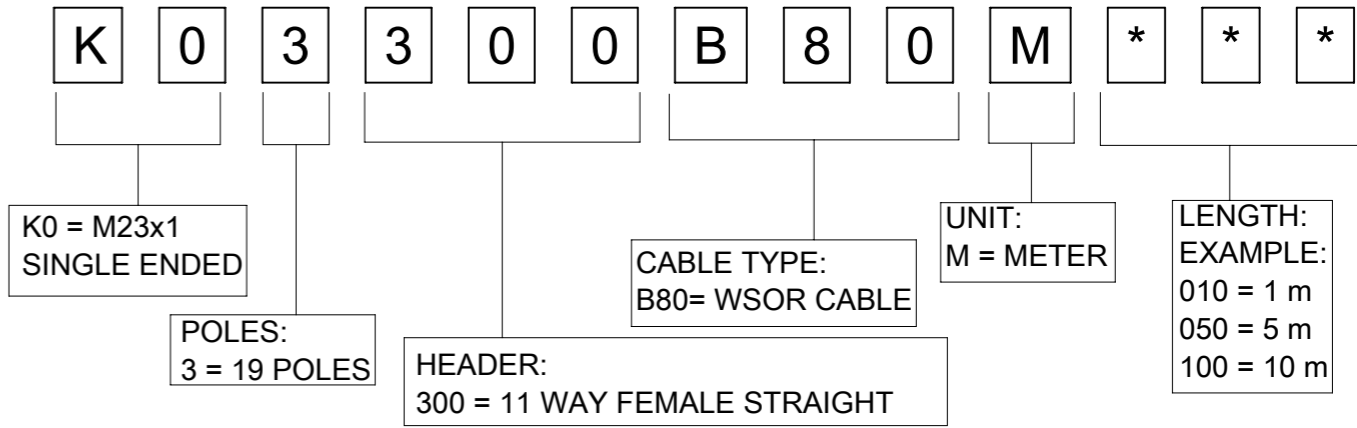


Scale : 3:1



View From The Front Side

PART NO MATRIX



CABLE SPECIFICATION:

CONDUCTOR A:
 MATERIAL: BARE COPPER
 SECTION: 0.75mm²/19AWG
 STRANDING: 42X0.15mm

INSULATION A:
 COMPOUND: TPE
 DIAMETER: 1.75±0.10mm

CONDUCTOR B:
 MATERIAL: BARE COPPER
 SECTION: 0.34mm²/22AWG
 STRANDING: 42X0.10mm

INSULATION B:
 COMPOUND: TPE
 DIAMETER: 1.30±0.10mm

JACKET:
 COMPOUND: TPU
 COLOR: BLACK
 DIAMETER: 10.50±0.30mm

TEMPERATURE RATING: -40°C TO +90°C
 VOLTAGE RATING: 600V

BILL OF MATERIALS

QTY	DESCRIPTION	MATERIAL	FINISH
6 1	M23 Female coupling nut	Brass	Nickel Plated
5 1	M23 Female insert 19P	TPU	Black
4 1	Overmould	TPU	Black
3 3	Contacts	Brass	Nickel Plated
2 16	Contacts	Bronze	Nickel Plated
1 L	CABLE:3X19AWG+16X22AWG	TPU WSOR	Black

Table 1

Molex P/N	Engineering P/N	Length L[mm]	Tol.[mm]
1200948168	K03300B80M050	5000	+60
1200948169	K03300B80M100	10000	+80
1200948170	K03300B80M150	15000	+140
1200948171	K03300B80M200	20000	+140
1200948172	K03300B80M250	25000	+160

QUALITY SYMBOLS FA = 0 FE = 0 FB = 0 FV = 0 FC = 0 FX = 0 FQ = 0 FZ = 0	THIS DRAWING CONTAINS INFORMATION THAT IS PROPRIETARY TO MOLEX ELECTRONIC TECHNOLOGIES, LLC AND SHOULD NOT BE USED WITHOUT WRITTEN PERMISSION		DIMENSION UNITS MM	SCALE 1:1				
	EC NO: 107291 DRWN: MMAJGAT CHK'D: MIWASIECZKO APPR: MIWASIECZKO	2016/08/06 2016/08/08	GENERAL TOLERANCES (UNLESS SPECIFIED) ANGULAR TOL ± °	DRWN BY MMAJGAT		DATE 2016/04/15	CSE M23 19P SC FE ST WSOR XM SE PRODUCT CUSTOMER DRAWING	
	DRAFT WHERE APPLICABLE MUST REMAIN WITHIN DIMENSIONS		4 PLACES ± 3 PLACES ± 2 PLACES ± 1 PLACE ± 0 PLACES ±	CHK'D BY MIWASIECZKO		DATE 2016/08/02		SERIES 120094
	A1	REV	DRAFTER	DRAWING SIZE A3		THIRD ANGLE PROJECTION		MATERIAL NUMBER SEE TABLE 1
RELEASE STATUS P1	RELEASE DATE 08.08.2016	06:30:50	DOCUMENT NUMBER 1200948168	DOC TYPE PSD	DOC PART 00P	SHEET NUMBER 1 OF 1		