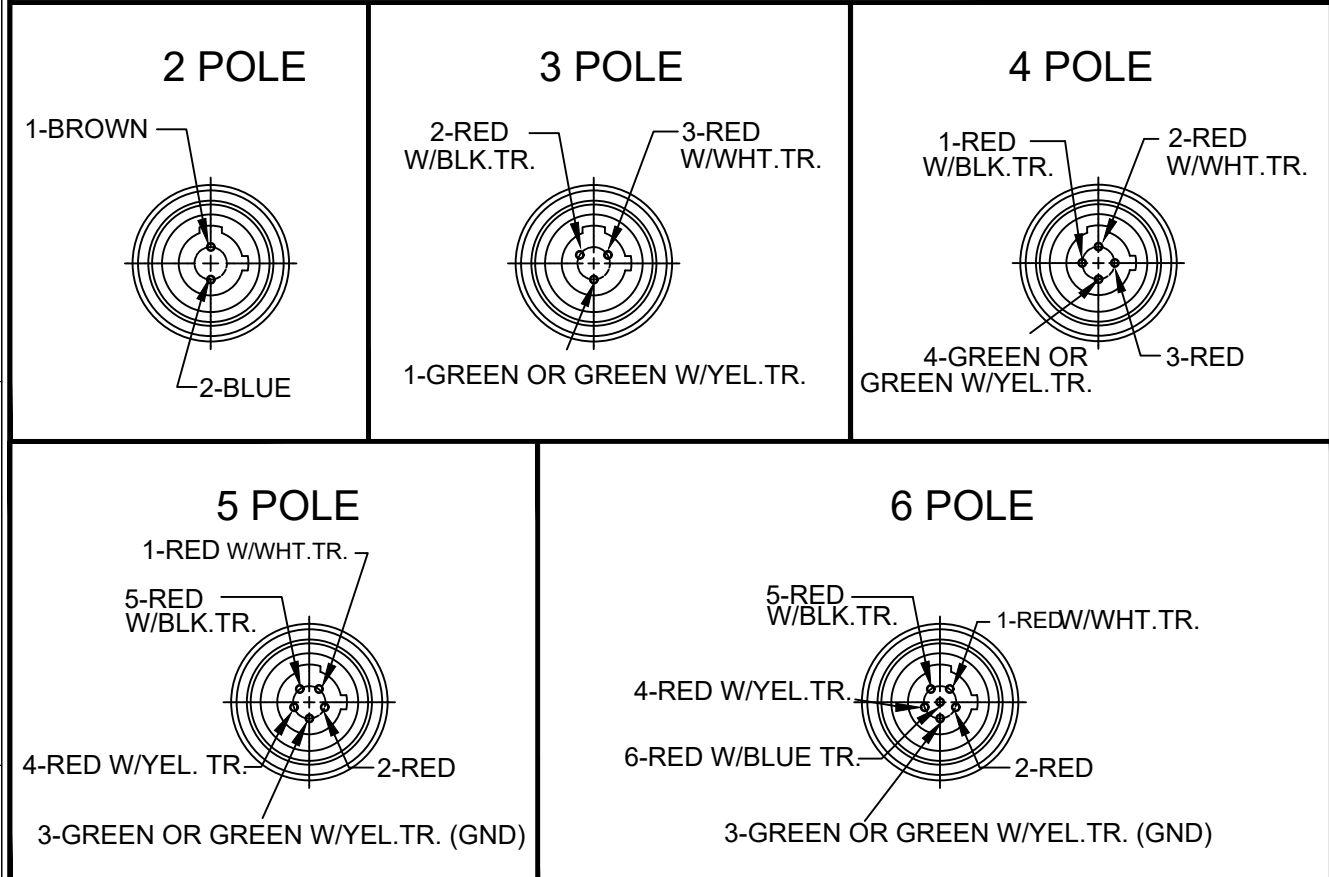
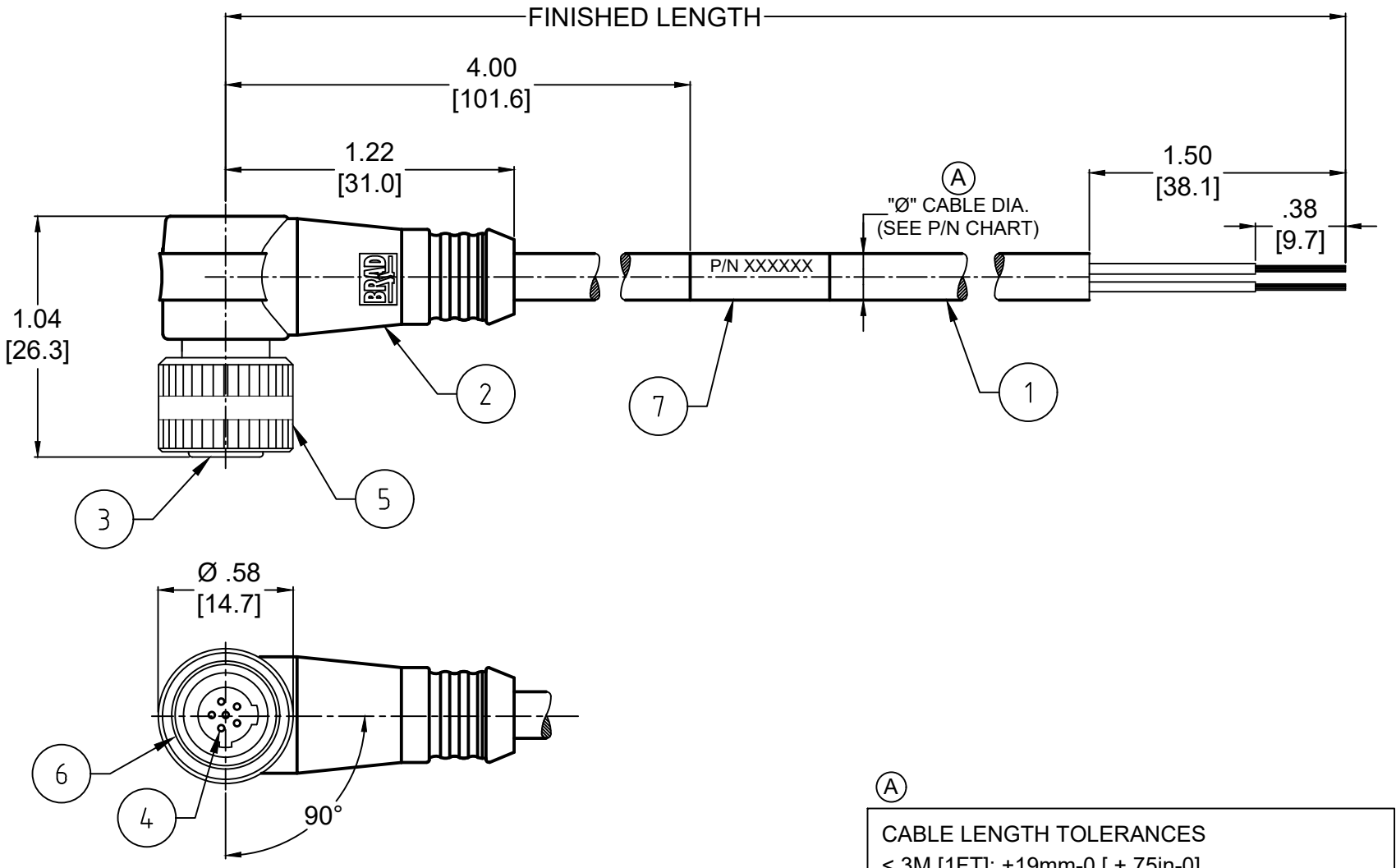


FRONT VIEW - FEMALE INSERT WIRING COLOR CODE



PART NO	ENGINEERING NO.	FINISHED LENGTH	POLES	CABLE DIA.
1200720085	702001D02F060	6 FT [1.8M]	2	.20/5.1
1200720248	703001D02F020	2 FT [0.6M]	3	.23/5.8
1200720402	704001D02F060	6 FT [1.8M]	4	.22/5.6
1200720515	705001D02F060	6 FT [1.8M]	5	.24/6.1
1200721049	706001D02M450	45M [147FT 7 IN]	6	.25/6.4



- NOTES:
1. MATERIAL: AS NOTED
 2. FINISH: AS NOTED
 3. ELECTRICAL:
VOLTAGE: 250V
CURRENT: 4A
 4. TEMP RATING: -20°TO +105°C
 5. PROTECTION: IP67 (WHEN MATED)
 6. COUPLING THREAD: 1/2-20 UNF
 7. UL LISTED FILE: E152210
CSA CERTIFIED FILE: LR6837
 8. ALL DIMENSIONS ARE FOR REFERENCE
UNLESS TOLERANCED OR NOTED OTHERWISE

PART NO. MATRIX
702001D02F060
 POLES (2, 3, 4, 5 & 6) FINISHED LENGTH
 F020 = 2 FEET
 M005 = 0.5 METER
 M010 = 1 METER
 M100 = 10 METER

CABLE LENGTH TOLERANCES

<.3M [1FT]:	+19mm-0 [+ .75in-0]
.3 - .9M [1 - 3FT]:	+44.5mm-0 [+1.75in-0]
.9 - 1.8M [3 - 6FT]:	+55.6mm-0 [+2.19in-0]
1.8 - 3.7M [6 - 12FT]:	+88.9mm-0 [+3.50in-0]
3.7 - 7.3M [12 - 24FT]:	+165.1mm-0 [+6.50in-0]
7.3-14.6M [24 - 48FT]:	+317.5mm-0 [+12.50in-0]
14.6 - 30.5M [48-100FT]:	+622.3mm-0 [+24.50in-0]
OVER 30M [100FT]:	+2% OF FINISHED LENGTH

ITEM	DESCRIPTION	MATERIAL	FINISH
7	LABEL	VINYL	BLACK/YELLOW
6	O-RING	NITRILE	RED
5	COUPLING NUT	ZINC DIE CAST/ BRASS	BLACK E-COATED/ NICKEL PLATED
4	CONTACT SOCKET	COPPER ALLOY	GOLD OVER NICKEL
3	INSERT	NYLON	BLACK
2	OVERMOLD	TPC	YELLOW
1	CABLE 22/2-6 AWG	PVC JACKET	YELLOW

PRE-RELEASE
REFERENCE
USE ONLY

FUNCTIONAL SYMBOLS $F_A=0$ $F_V=0$ $F_P=0$	DIMENSION UNITS INCH/MM	SCALE NTS	CURRENT REV DESC: ITEM #2 WAS PVC & ITEM #7 WAS MYLAR. ADDED TOL CHART, PN MATRIX & CABLE DIA. MODIFIED PN TABLE	molex MICRO-CHANGE CORDSET 2-6P, FEMALE 90DEG, DUAL KEYWAY, BRAID SHIELD PVC, #22 AWG
DIVISIONAL SYMBOLS 4 PLACES ± --- ± --- 3 PLACES ± --- ± --- 2 PLACES ± --- ± --- 1 PLACE ± --- ± --- 0 PLACES ± --- ± ---	GENERAL TOLERANCES (UNLESS SPECIFIED) mm INCH ± --- ± --- ± --- ± --- ± --- ± --- ± --- ± ---	EC NO: 666551 DRWN: ABENJAMINLW 2021/04/06 CHK'D: RSTONE 2021/06/10 APPR: ---	INITIAL REVISION: DRWN: LSTEMMLE 2010/02/05 APPR: FPAHER 2010/02/09	PRODUCT CUSTOMER DRAWING DOCUMENT NUMBER: SD-120072-010 DOC TYPE: PSD DOC PART: 001 REVISION: A
DRAFT WHERE APPLICABLE MUST REMAIN WITHIN DIMENSIONS	THIRD ANGLE PROJECTION	DRAWING: A3-SIZE	SERIES: 120072	MATERIAL NUMBER: SEE CHART CUSTOMER: GENERAL MARKET SHEET NUMBER: 1 OF 1