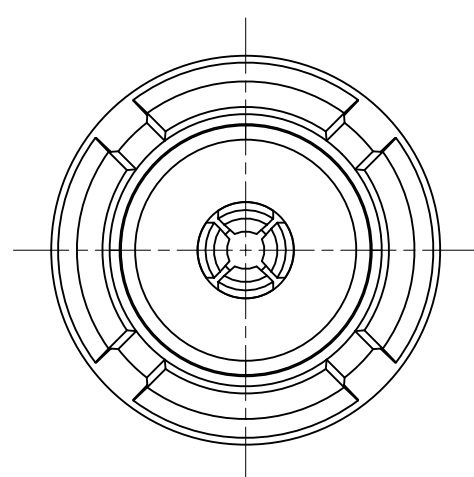
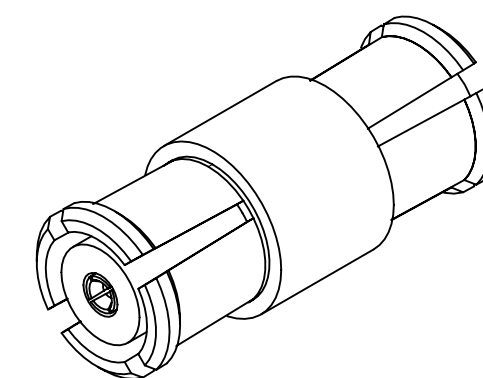


MATERIALS AND FINISHES:

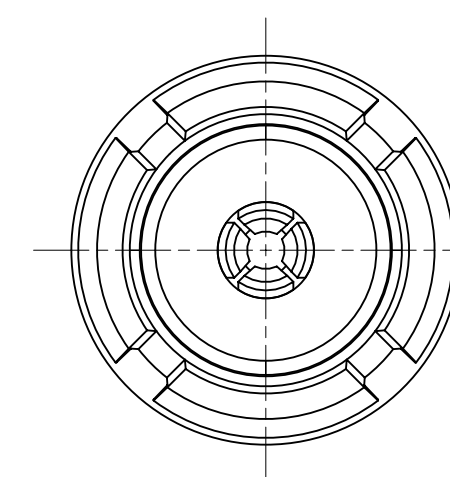
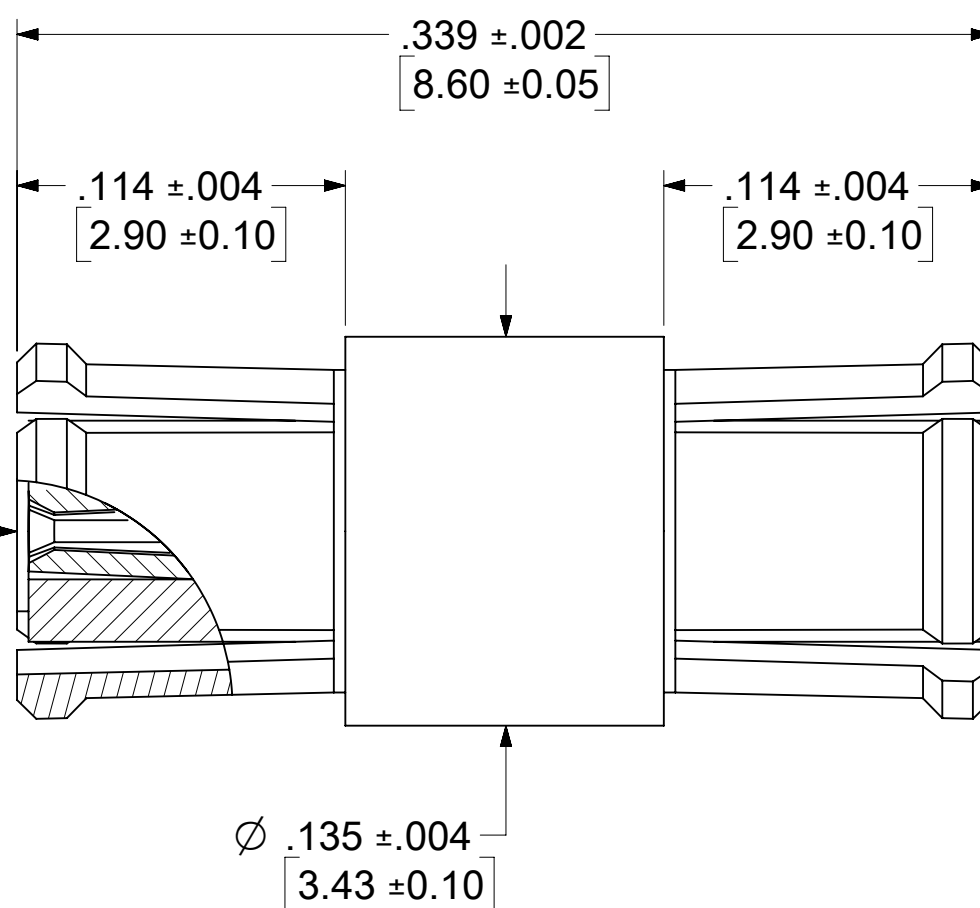
BODY: BERYLLIUM COPPER
PLATED GOLD

CENTER CONTACT: BERYLLIUM COPPER
PLATED GOLD

INSULATOR: PTFE



MODIFIED SMP JACK
INTERFACR
BOTH ENDS



LABEL FORMAT FOR
73406-0531

PART NUMBER: 73406-0530
ORDER NUMBER: 73406-0531
MOLEX
DATE: YYWW

73406-0531	73406-0530 ONE PER BAG	895420470
73406-0530	73406-0530 TRAY	895420040
PART NO.	DESCRIPTION	PACKING SPEC

THIS DRAWING CONTAINS INFORMATION THAT IS PROPRIETARY TO MOLEX ELECTRONIC TECHNOLOGIES, LLC AND SHOULD NOT BE USED WITHOUT WRITTEN PERMISSION

DIMENSION UNITS INCH/MM	SCALE NTS	CURRENT REV DESC: ADD 73406-0531 PER EWR #15321-B	molex		
GENERAL TOLERANCES (UNLESS SPECIFIED)		EC NO: 718858			
ANGULAR TOL ± 2.0°	4 PLACES ±	DRWN: RYEH 2022/08/09	PRODUCT CUSTOMER DRAWING		
3 PLACES ±	2 PLACES ±	CHK'D: YCHENG 2022/08/25	DOCUMENT NUMBER		
1 PLACE ±	0 PLACES ±	APPR: YCHENG 2022/08/25	SD-73406-053		
DRAFT WHERE APPLICABLE MUST REMAIN WITHIN DIMENSIONS		INITIAL REVISION: DRWN: RYEH 2015/10/07 APPR: YCHENG 2015/11/04	CUSTOMER		REVISION
THIRD ANGLE PROJECTION		DRAWING	MATERIAL NUMBER	SHEET NUMBER	
C-SIZE		SERIES	SEE TABLE	1 OF 1	
		73406	GENERAL MARKET		

DOCUMENT STATUS	P1	RELEASE DATE	2022/08/25 06:22:08
-----------------	----	--------------	---------------------