

DWG. NO.
SD-49349-001

SIMILAR ITEM

PROJECT NO.

B

DO NOT SCALE DRAWING
DIMENSION IN METRIC

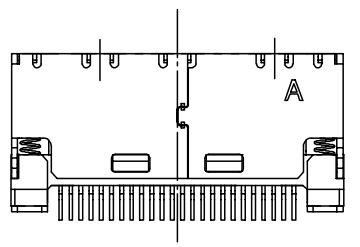
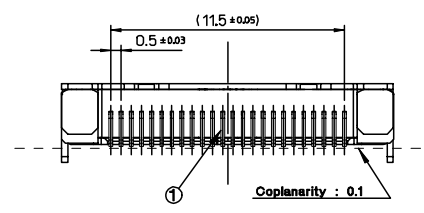
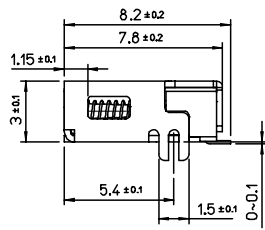
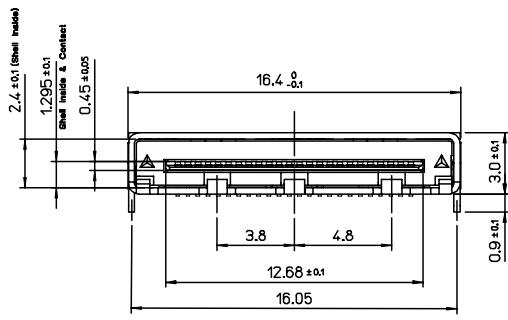
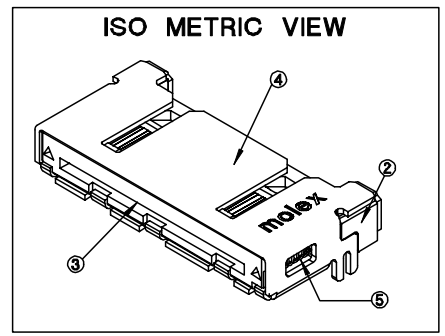
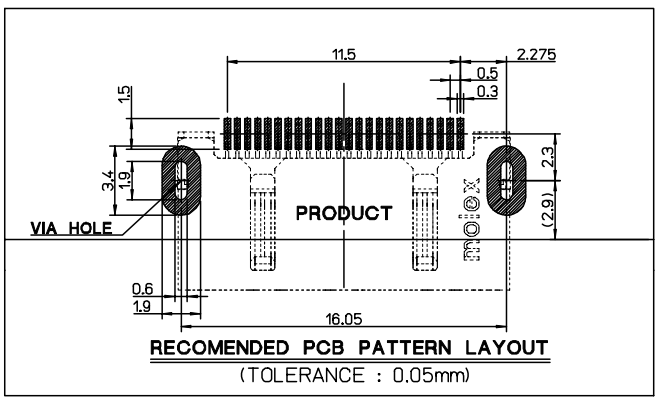
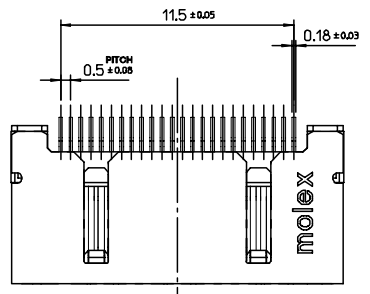


TABLE 2

⑤	COMPRESSION SPRING	STAINLESS STEEL	NONE
④	METAL SHELL	STAINLESS STEEL	NICKEL
③	SHUTTER	POLY AMIDE UL94V-0	BLACK COLOR
②	OVERMOLD HOUSING	POLY AMIDE UL94V-0	BLACK COLOR
①	CONTACT TERMINAL	COPPER ALLOY	SELECTIVE GOLD
NO.	DESCRIPTION	MATERIAL	FINISH

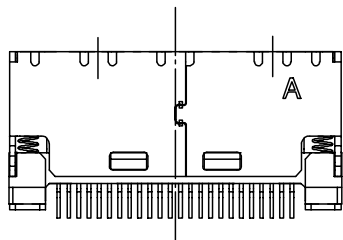
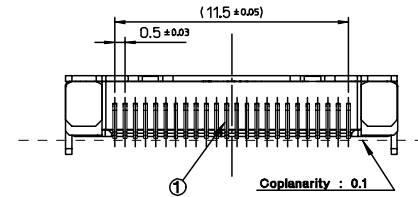
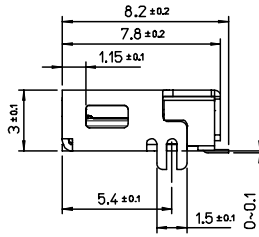
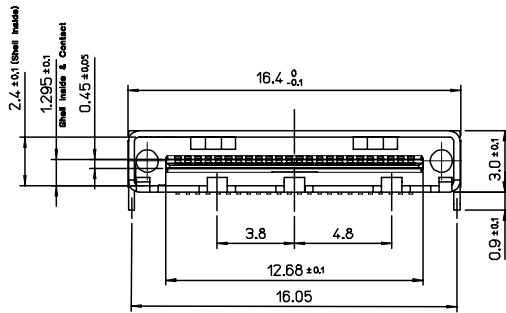
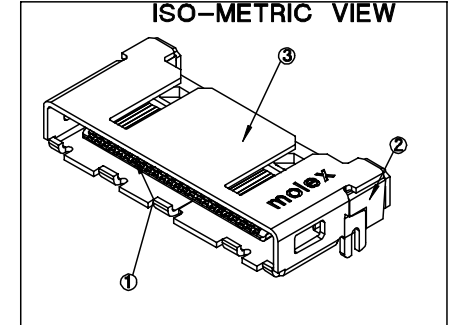
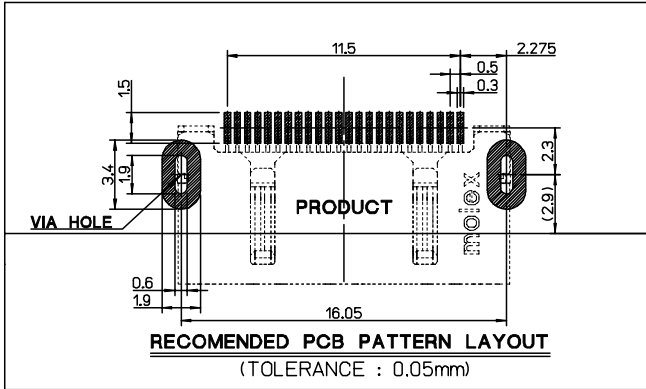
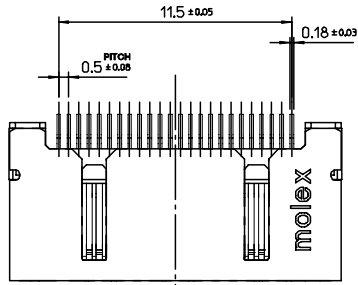
TABLE 1

BLACK	493492411	49349-2411
COLOR	MATERIAL NO.	ENGINEERING NO.
DIMENSIONS:		
<input type="checkbox"/> mm	<input type="checkbox"/> INCH	<input checked="" type="checkbox"/> mm ONLY
SHT	REV	REVISE ON CAD ONLY

NOTES

1. MATERIALS: SEE TABLE 2
2. FINISHES: SEE TABLE 2
3. PRODUCT SPECIFICATION : PS-49349-001
4. COPLANARITY OF SOLDER TAILS : 0.1mm MAX.
5. PACKAGING SPECIFICATION : PK-49349-001

REVISED ECN NO. KOR2007-0018 DRWN: E.S.JUNG 06/08/24 CHK: S.H.JOO APPR: S.J.SEH	DESCRIPTION MAJOR CRITICAL C	QUALITY SYMBOLS	GENERAL TOLERANCES: (UNLESS SPECIFIED)	SCALE 4 : 1	DESIGN UNITS <input checked="" type="checkbox"/> mm <input type="checkbox"/> INCH	THIRD ANGLE PROJECTION	TITLE: 0.5 SHUTTER I/O CONN.24P For 0.5 Shutter I/O Conn. 24p Receptacle Assy (REVERSE TYPE)
		4 PLACES ±0.1	mm INCH	DRAWN BY & DATE E.S.JUNG 05/08/11	MOLEX INCORPORATED		
A	REV	3 PLACES ±0.1	ANGULAR: ± °	CHECKED BY & DATE S.H.JOO	CAD FILENAME SD49349001.MI	MATERIAL NO. SEE TABLE	DRAWING NO. SD-49349-001
		2 PLACES ±0.05	DRAFT WHERE APPLICABLE MUST REMAIN WITHIN DIMENSIONS	APPROVED BY & DATE S.J.SEH	THIS DRAWING CONTAINS INFORMATION THAT IS PROPRIETARY TO MOLEX INCORPORATED AND SHOULD NOT BE USED WITHOUT WRITTEN PERMISSION.		
		1 PLACE ±0.1					SHEET NO. 1 OF 1
							SIZE B



NOTES

1. MATERIALS: SEE TABLE 2
2. FINISHES: SEE TABLE 2
3. PRODUCT SPECIFICATION : PS-49349-001
4. COPLANARITY OF SOLDER TAILS : 0.1mm MAX.
5. PACKAGING SPECIFICATION : PK-49349-001

TABLE 2

③	METAL SHELL	STAINLESS STEEL	NICKEL
②	OVERMOLD HOUSING	POLY AMIDE UL94V-0	BLACK COLOR
①	CONTACT TERMINAL	COPPER ALLOY	SELECTIVE GOLD
NO.	DESCRIPTION	MATERIAL	FINISH

TABLE 1

BLACK	493492451	49349-2451
COLOR	MATERIAL NO.	ENGINEERING NO.
DIMENSIONS:		SHT REV
<input type="checkbox"/> mm <input type="checkbox"/> INCH	<input checked="" type="checkbox"/> mm <input type="checkbox"/> INCH	REVISE ON CAD ONLY

REVISED ECN NO. KOR2007-0053 DRWN: S.H.JOO 08/11/23 CHK: APPR: S.J.SEH	DESCRIPTION MAJOR CRITICAL C	QUALITY SYMBOLS	GENERAL TOLERANCES: (UNLESS SPECIFIED)	SCALE 4 : 1	DESIGN UNITS <input checked="" type="checkbox"/> mm <input type="checkbox"/> INCH	THIRD ANGLE PROJECTION <input type="checkbox"/> FIRST ANGLE PROJECTION	TITLE: 0.5 SHUTTER I/O CONN.24P For 0.5 Shutter I/O Conn. 24p Receptacle Ass'y (REVERSE, NO SHUTTER TYPE)	
		4 PLACES ±0.1	3 PLACES ±0.1	2 PLACES ±0.05	1 PLACE ±0.1	ANGULAR: ± °	CAD FILENAME SD49349001.MI	MATERIAL NO. SEE TABLE
A1	REV	DRAFT WHERE APPLICABLE MUST REMAIN WITHIN DIMENSIONS	THIS DRAWING CONTAINS INFORMATION THAT IS PROPRIETARY TO MOLEX INCORPORATED AND SHOULD NOT BE USED WITHOUT WRITTEN PERMISSION.			SHEET NO. 1 OF 1		SIZE B