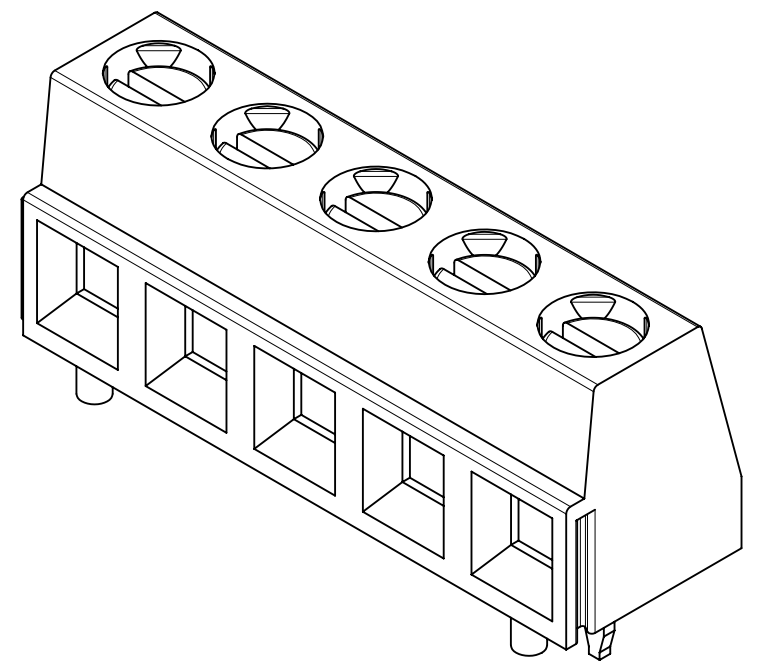
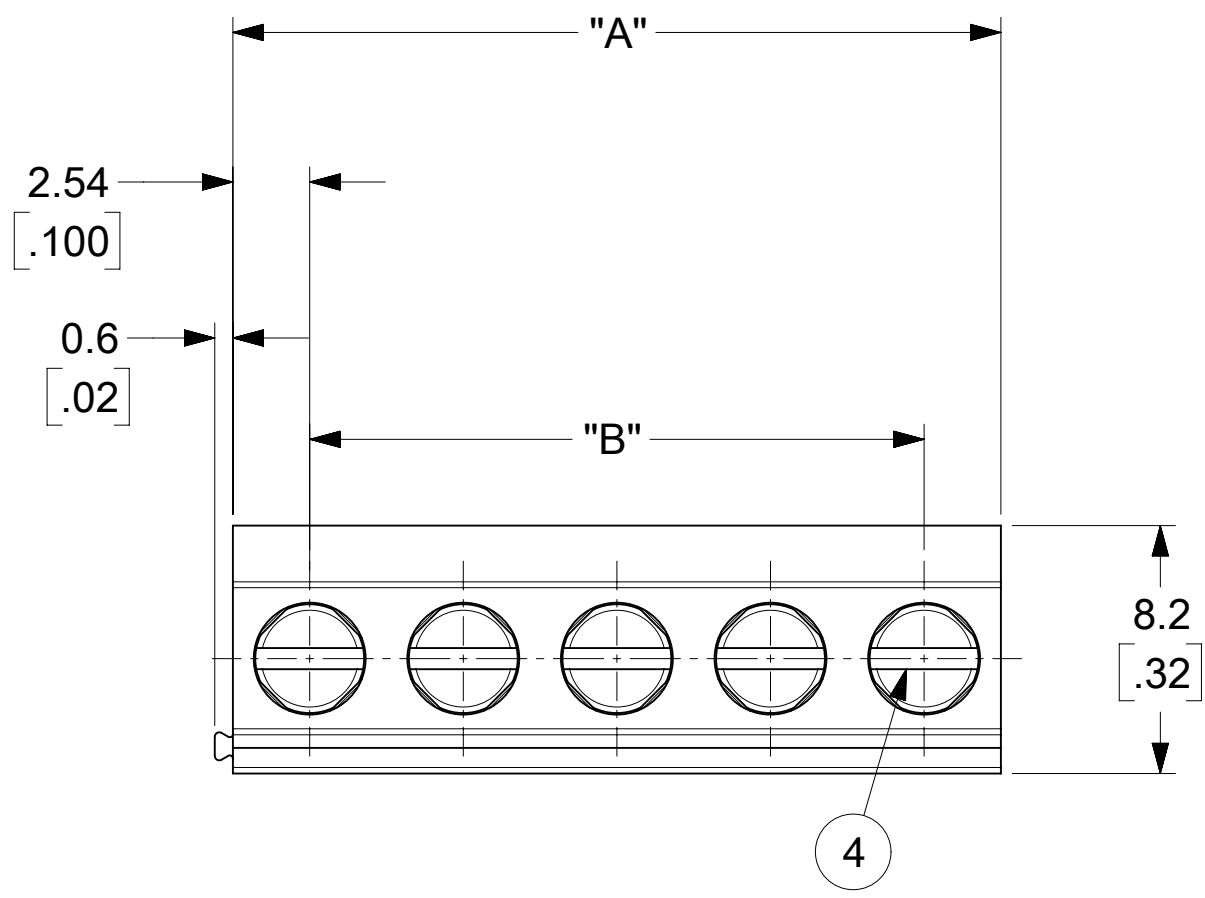
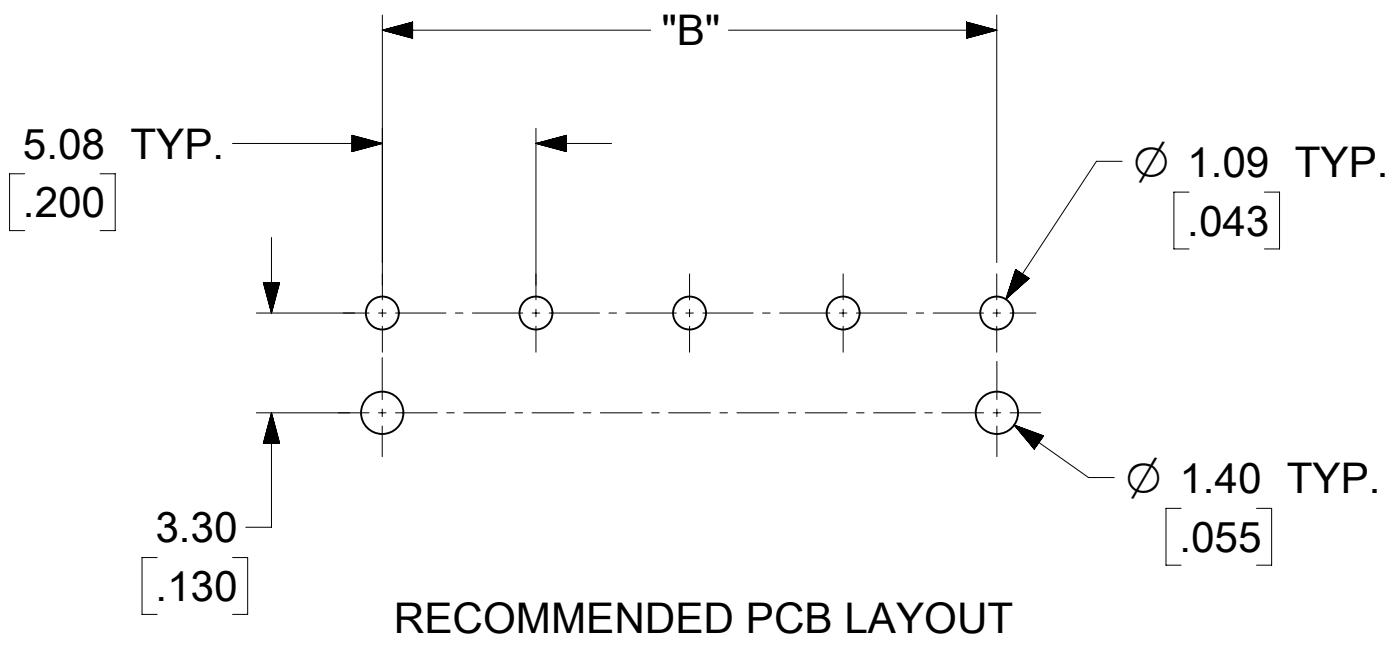
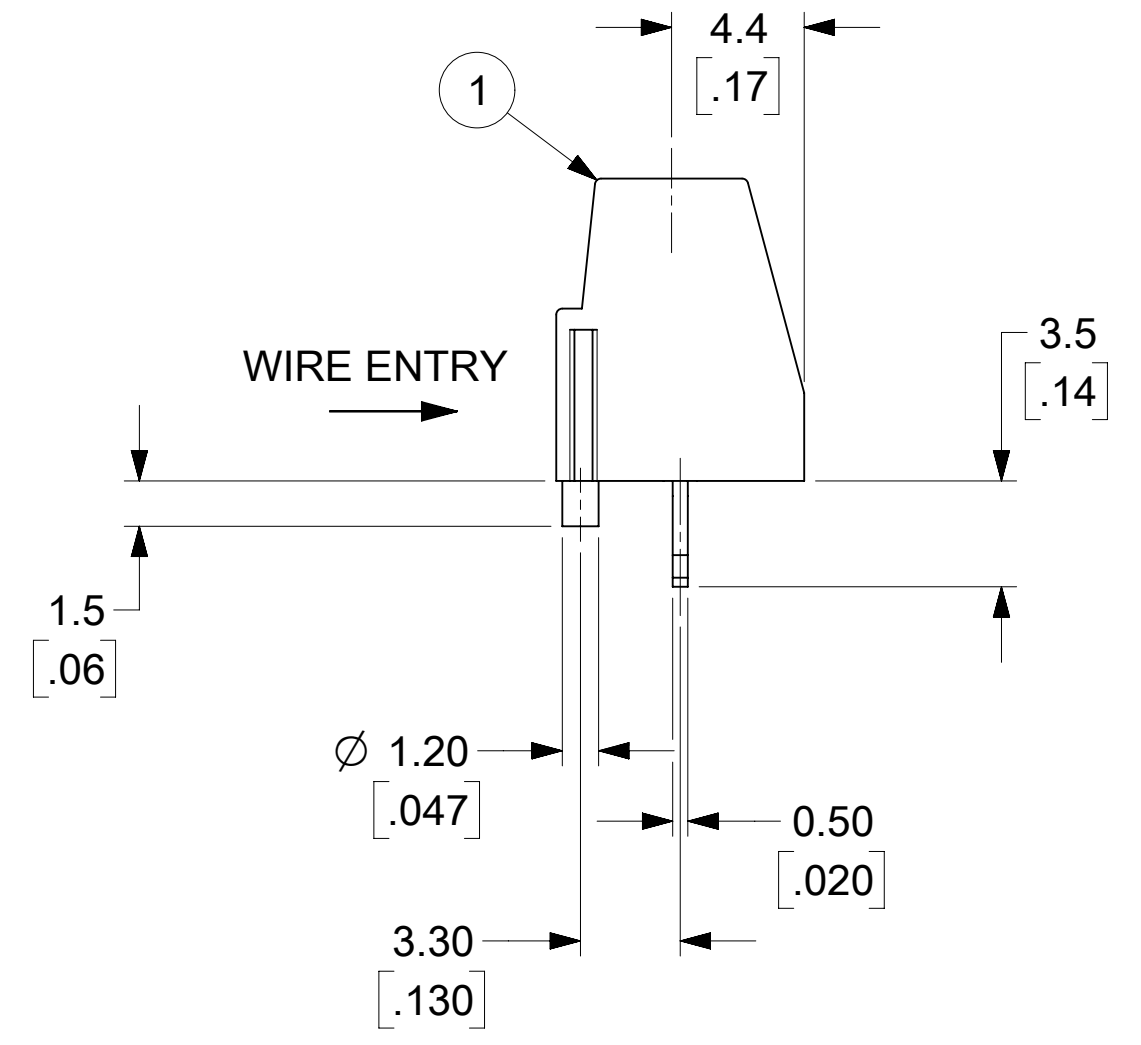
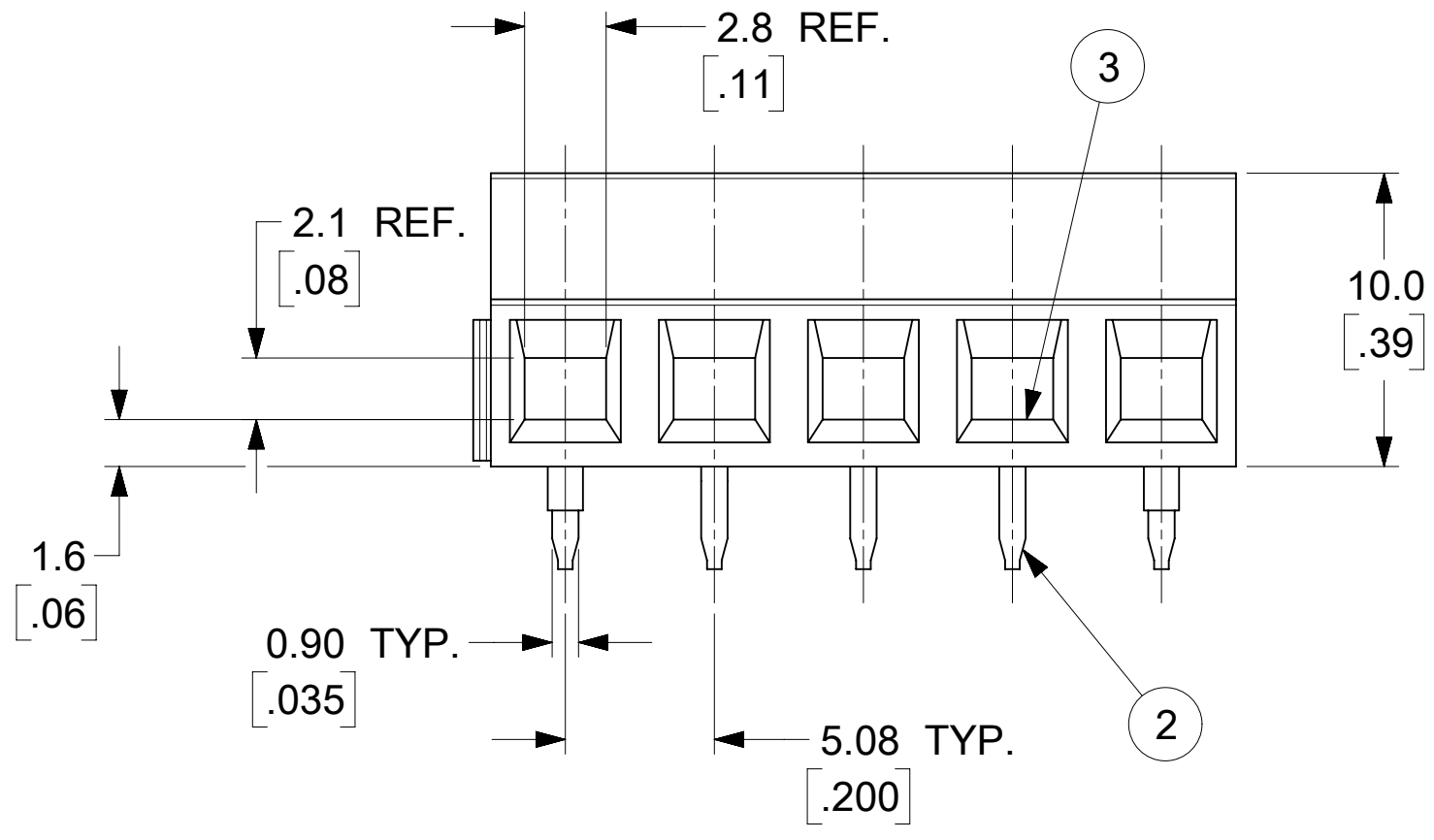


NO. OF CIRC. "XX"	DIM. "A"		DIM. "B"		MATERIAL NUMBER
	mm	IN	mm	IN	
02	10.2	.40	5.08	.200	398890042
03	15.2	.60	10.16	.400	
04	20.3	.80	15.24	.600	
05	25.4	1.00	20.32	.800	398890043
06	30.5	1.20	25.40	1.000	398890044



AUX. VIEWS
(5 CIRCUIT SHOWN)

- NOTES:
1. MATERIAL: SEE TABLE
 2. FINISHES: SEE TABLE
 3. "XX" REFERS TO QUANTITY OF CIRCUITS.
 4. WIRE RANGE: 16-30 AWG (A1)
 5. RATED VOLTAGE: 300V PER UL (A1)
 6. RATED CURRENT: 13.5A PER UL (A1)
 7. RECOMMENDED TIGHTENING TORQUE: 6.0 LB. IN. (A1)
 8. WIRE STRIP LENGTH: 6mm(.24in)
 9. OPERATING TEMPERATURE: -40°C TO +105°C
 10. POLARIZING PEGS ARE ONLY ON END CIRCUITS.



ITEM	QTY.	DESCRIPTION	MATERIAL	FINSH
4	XX	SCREW, M3	COPPER ALLOY	NICKEL PLATED
3	XX	CLAMP, RISING	COPPER ALLOY	NICKEL PLATED
2	XX	TERMINAL	COPPER ALLOY	TIN PLATED
1	1	HOUSING, UL94 V-0	PA66	BLACK

FUNCTIONAL SYMBOLS		THIS DRAWING CONTAINS INFORMATION THAT IS PROPRIETARY TO MOLEX ELECTRONIC TECHNOLOGIES, LLC AND SHOULD NOT BE USED WITHOUT WRITTEN PERMISSION		CURRENT REV DESC: MODIFIED NOTES #4 TO #7	
$F_A = 0$	MM/INCH	SCALE	4:1	EC NO: 706702	
$F_C = 0$	GENERAL TOLERANCES (UNLESS SPECIFIED)			DRWN: ABENJAMINLW	2022/04/27
$F_P = 0$				CHK'D: DACHAMMER	2022/05/12
DIVISIONAL SYMBOLS		MM	INCH	APPR: JFMURPHY	2022/05/13
	4 PLACES	± ---	± ---	INITIAL REVISION:	
	3 PLACES	± ---	± .005	DRWN: CLYORK	2008/03/28
	2 PLACES	± 0.13	± .01	APPR: JMACNEIL	2008/04/18
	1 PLACE	± 0.25	± ---	THIRD ANGLE PROJECTION	
	0 PLACES	± ---	± ---	DRAWING	SERIES
	ANGULAR TOL	± 2°		C-SIZE	39889
DRAFT WHERE APPLICABLE MUST REMAIN WITHIN DIMENSIONS				MATERIAL NUMBER	CUSTOMER
				SEE CHART	GENERAL MARKET

molex

5.08MM [.200] FIXED, EUROSTYLE, W/POLARIZING PEGS

PRODUCT CUSTOMER DRAWING

DOCUMENT NUMBER: SD-39889-003

DOC TYPE: PSD

DOC PART: 001

REVISION: A1

SHEET NUMBER: 1 OF 1