

Customer Information Sheet

DRAWING No.: Z125-901

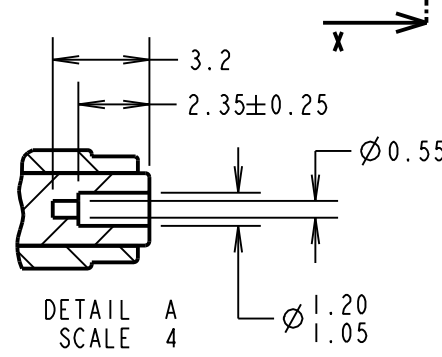
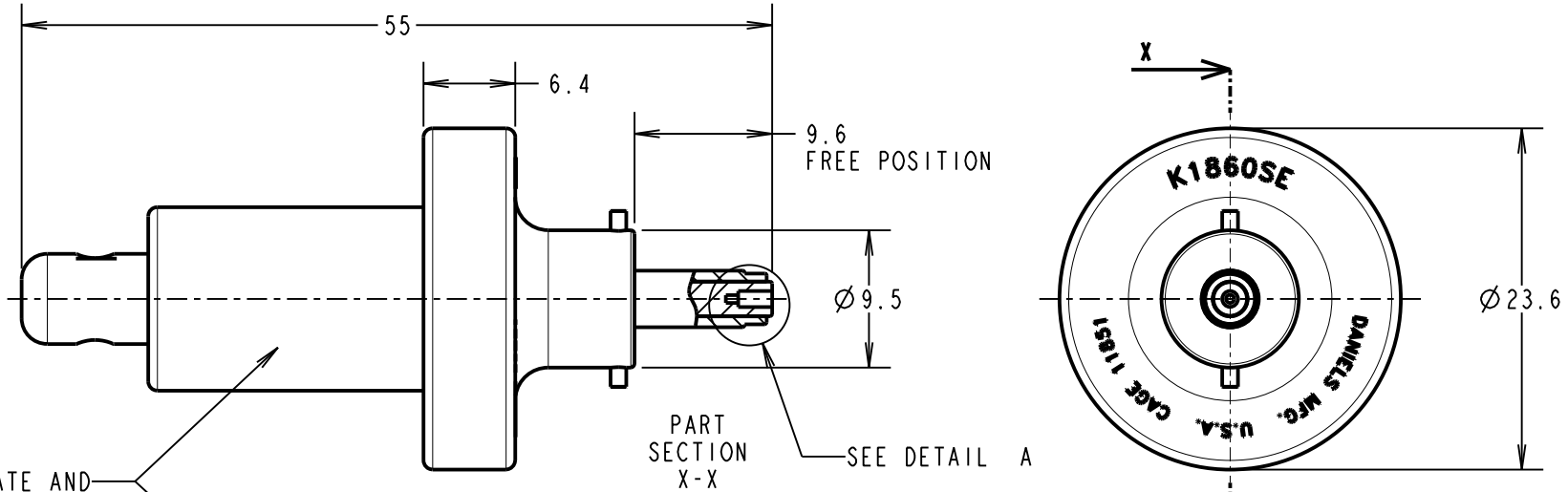
IF IN DOUBT - ASK

©

NOT TO SCALE

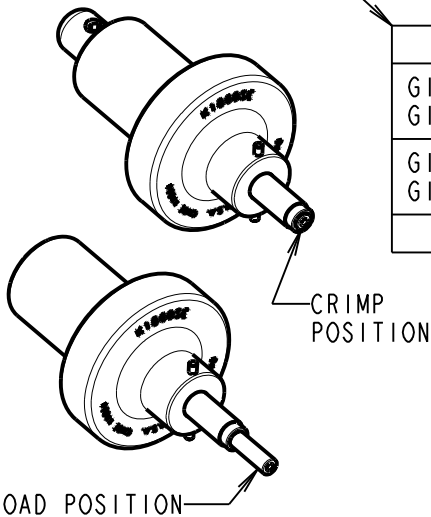
THIRD ANGLE PROJECTION

ALL DIMENSIONS IN mm



DATAPLATE AND LOCATION

HARWIN	26	28	30	32	WIRE
G125-00100XX	6				SEL. No.
G125-10100XX					
G125-00200XX		5	5	5	USE WITH MH999
G125-10200XX					



NOTES:

1. TO BE USED WITH HAND CRIMP TOOL Z125-900 (MH999).
2. SEE INSTRUCTION SHEET IS-37.
3. TO BE USED WITH CONTACTS: G125-00100XX (26 AWG), G125-00200XX (28-32 AWG), G125-10100XX (26 AWG), G125-10200XX (28-32 AWG).

MGP	1	11.07.12	11771
NAME	ISS.	DATE	C/NOTE
APPROVED: MGP			
CHECKED: SF			
DRAWN: S.FLOWER			
CUSTOMER REF.:			
ASSEMBLY DRG:			

HARWIN

www.harwin.com
technical@harwin.com

THIS DRAWING AND ANY INFORMATION OR DESCRIPTIVE MATTER SET OUT HEREON ARE CONFIDENTIAL AND COPYRIGHT PROPERTY OF THE HARWIN GROUP AND MUST NOT BE DISCLOSED, LOANED, COPIED OR USED FOR MANUFACTURING, TENDERING OR FOR ANY OTHER PURPOSE WITHOUT THEIR WRITTEN PERMISSION.

TOLERANCES

X. = ±1mm
X.X = ±0.25mm
X.XX = ±0.10mm
X.XXX = ±0.01mm
ANGLES = ±5°
UNLESS STATED

MATERIAL:

FINISH:

S/AREA:

mm²

TITLE:

G125 GECKO CRIMP CONTACT POSITIONER K1860SE

DRAWING NUMBER:

Z125-901

SHT
2 OF 2