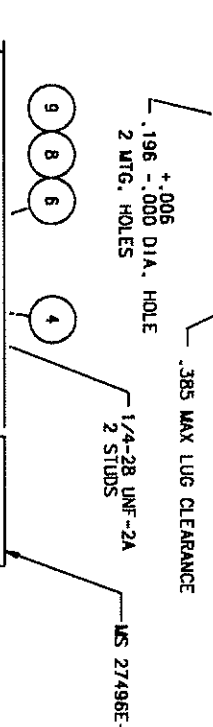
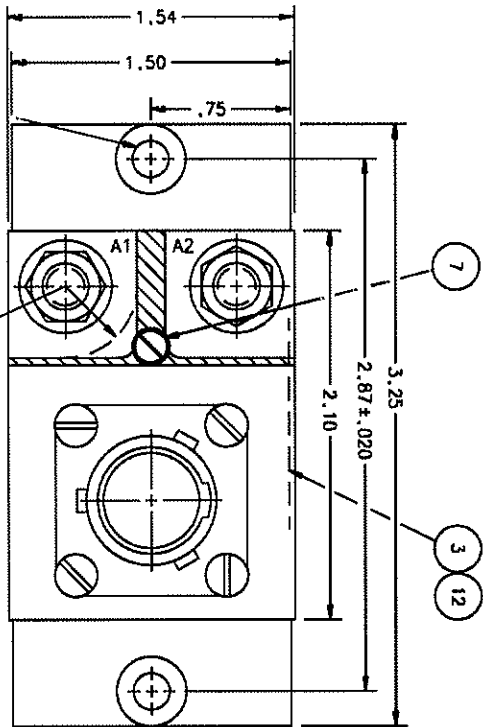


FAA/PMA

REV. M

REVISIONS		RELEASED	DATE	APPROVED
H	22298	ADDED P/N 51703-064	92/10/23	K. M.
J	28803	ADDED ITEMS TO THRU 13; ADDED SPOT-FACES TO MFG. HOLES	95/09/14	CE
K	33590	PICKUP VOLTAGE ADDED, COIL CURRENT WAS 32 AMP	97/09/02	RS
L	34055	FOUND NO 13 QTY WAS 2	97/10/23	RS
M	44341	2.87 ± .020 WAS 2.875	01/03/19	RS



CONSTRUCTION
 MAIN CONTACTS
 CONFIGURATION
 VOLTAGE-NOMINAL
 CURRENT-RES.
 IND.
 MOTOR
 OVERLOAD
 RATIO
 AUX. CONTACTS
 CONFIGURATION
 VOLTAGE
 RES.
 IND.
 LAMP

COIL DATA
 DUTY CYCLE
 NOM. COIL VOLTAGE
 CURRENT MAX.
 COIL TRANSIENT
 OPERATE TIME • 28 VDC 25°C
 RELEASE TIME • 28 VDC 25°C
 BOUNCE TIME
 PICKUP VOLTAGE
 DROPOUT

ENVIRONMENTAL DATA
 OPERATE TEMP.
 ALTITUDE
 HEIGHT MAX

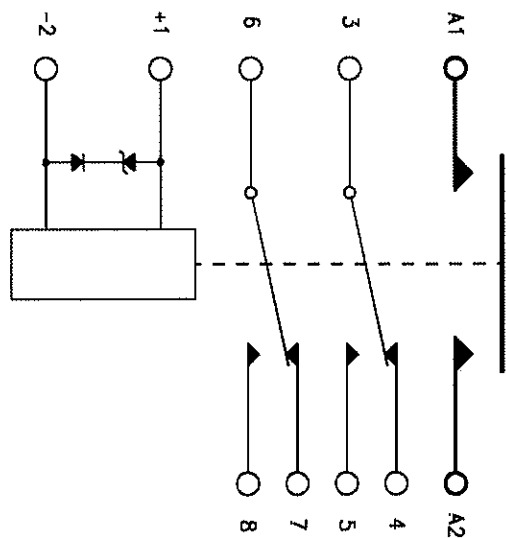
GASKET SEALED, VENTED
 SIDE STABLE

SPST (DOUBLE BREAK)
 28 VDC
 100 AMP
 75 AMP .005 L/R
 60 AMP
 800 AMP
 1000 AMP

DPDT
 115 VAC OR 28 VDC
 3 AMP
 1 AMP
 1 AMP

CONTINUOUS
 28 VDC
 .25 AMP • 25°C
 442 V
 50 MS
 30 MS
 2 MS MAX INS. 4 MS AUX.
 18 VDC MAX 25°C
 7-1.5 VDC

- 55° C TO + 71° C
 50,000 FT. MAX.
 9 OZ.



13	1	39529-024	OVERLAY			
12	1	39529-007	OVERLAY			
11	1	39529-001	OVERLAY			
10	1	38400-163	PLATE - FAA/PMA			
9	2	51807-034	WASHER - LOCK, 1/4, SPLIT			BRONZE
8	2	51703-054	WASHER - FLAT 1/2 X 17/64 X .032			BRASS
7	1	51202-250	SCREW 2-56 X 3/4 FL. HD.			BRASS
6	2	50407-074	NUT 1/4-28 X 3/8 X 3/16 HEX			BRASS
5	1	42680-010	CONTACTOR ASSEMBLY-PRIMARY			
4	1	42546-003	SHIELD - TERMINAL			
3	1	42774-001	PLATE - WRITING DIAGRAM			
2	1	16225-001	PLATE - NAME			
1	1	25695-001	PLATE - WARNING			

UNLESS OTHERWISE SPECIFIED
 DIMENSIONS ARE IN INCHES
 TOLERANCES ON

2 PL. DEC. 3 PL. DEC. ANGL. ES
 ± .06 ± .010 ± .1°
 REF.
 SAAB 2000
 S9303273-001

DIR BY	CSG	DATE
CHK BY		
ENGR		
MFG		
RELEASE		
CONTR. NO.		
GOVT APPROV.		

HARTMAN® MANSFIELD, OHIO

CONTACTOR - SPST
 100 AMP
 28 VDC
 SIDE STABLE

SIZE CODE IDENT TRNG NO.
 C 74063
 NN-307A
 SCALE 1/1
 SHEET