

Product Advisory

Issue Date: December 5, 2022

Change Type:

BOM component change only for supply continuity

Parts Affected:

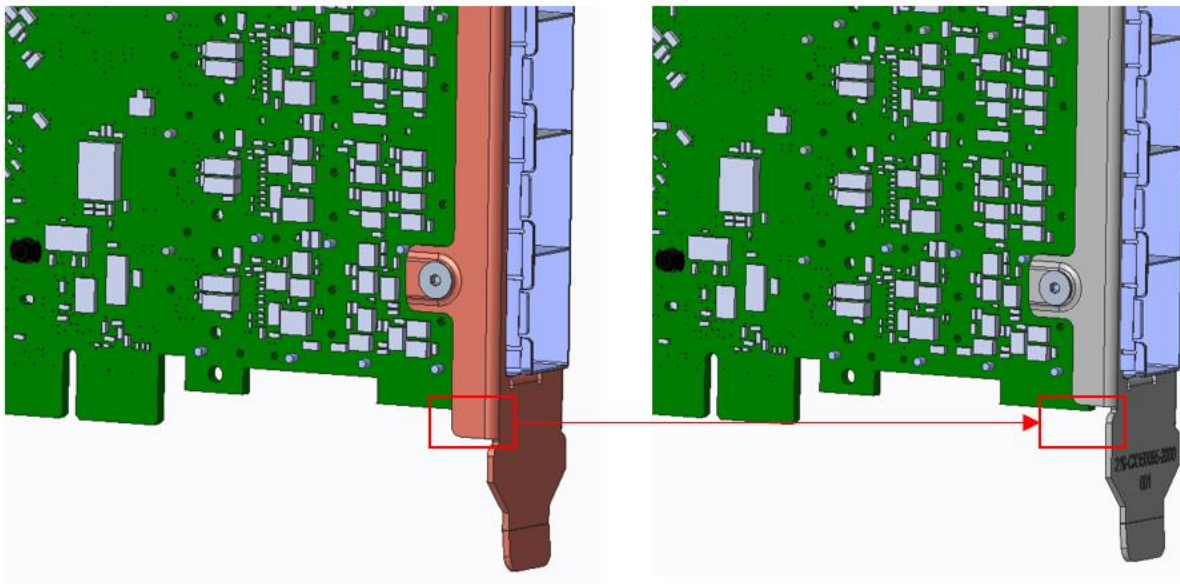
BRCM Part Number	New Revision Number
BCM957504-P425G	21
BCM957454-P425SL2	10
BCM957454-P425SL2FRU	9

Description and Extent of Change:

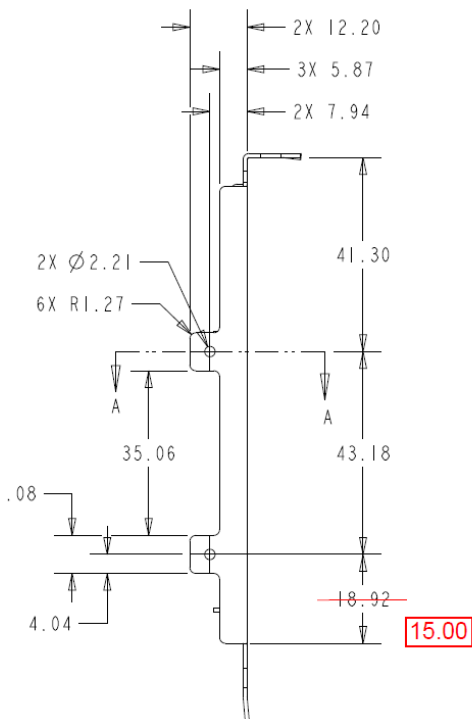
Minor modification to bracket flange

Reasons for Change:

The full-height bracket for the P425 adapter (4 x 25G PCIe NIC) is being updated to correct a minor compliance issue. The current bracket, while fine for most system chassis, may have fitment issues in a small number of system chassis designs. This has been corrected by shortening the flange as shown in the following illustrations picture. The image on the left is the current bracket design with the flange extending below the PCB edge. The image on the right is the updated bracket design with the corrected dimension.



The following drawing shows the updated dimension for the corrected bracket.



Effect of Change on Fit, Form, Function, Quality, or Reliability:

The adapter specification will remain the same with the exception of the updated bracket dimension. No changes to adapter form, fit, function, quality and reliability.

Effective Date of Change:

This will be implemented as running change starting after February 1, 2023.

Please contact your Broadcom field sales engineer or Contact Center for any questions or support requirements. Please return any response as soon as possible, but not to exceed 30 days.