



ANATECH ELECTRONICS INC
RF & Microwave Filters & Products

2595 MHz Cavity Bandpass Filter

Part Number: AB2595B1103



Electrical specifications

Center Frequency: 2595 MHz
Bandwidth: 190 MHz
Input / Output Impedance: 50 Ohms
Passband: 2500-2690MHz
Passband Insertion Loss: $\leq 0.5\text{dB}@2595\text{MHz}$,
 $\leq 1.5\text{dB}@2500-2690\text{MHz}$
Passband Return Loss: $\geq 14\text{dB}$
Rejection: $\geq 30\text{dB}@2700\text{MHz}$
Power Handling: 100W
PIM: $\geq 140\text{dBc}@2*40\text{W}$

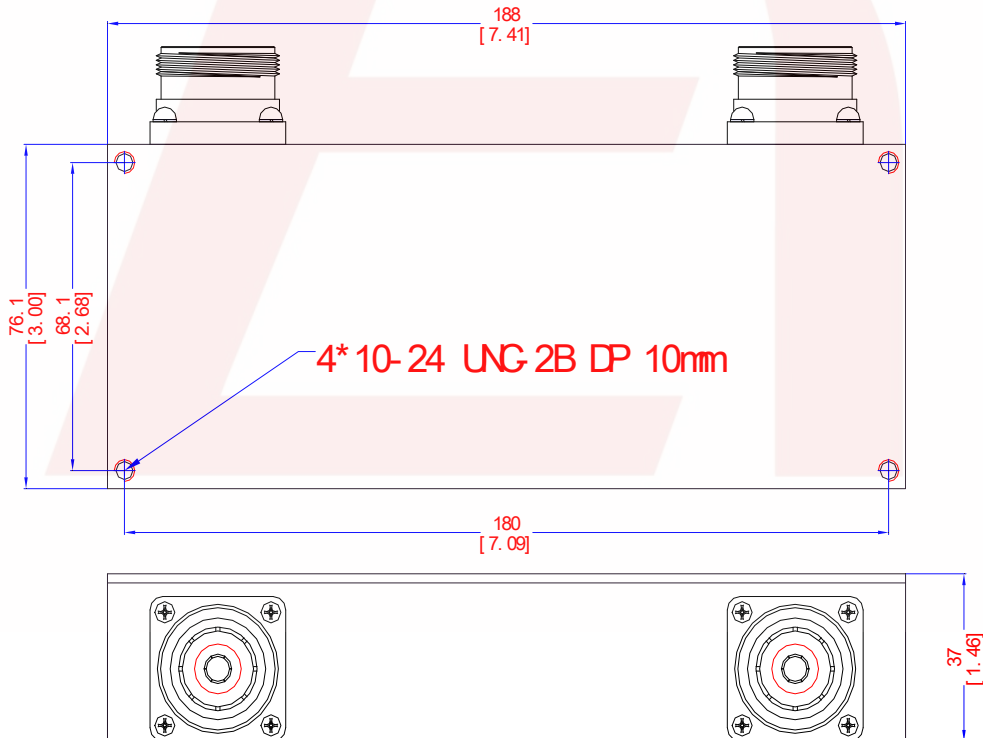
Mechanical

Connector Type: DIN-Female
Dimensions: 7.41 x 3 x 1.46 inches

Environmental

Operating Temperature: -45 to +85 deg.C
Storage Temperature: -55 to +95 deg.C
Shock: 20 G. 11ms
Vibration: 20 G. 5 to 200 Hz
Environment Class: IP65

Outline Drawing:



DS-B1103-03152018-Rev0