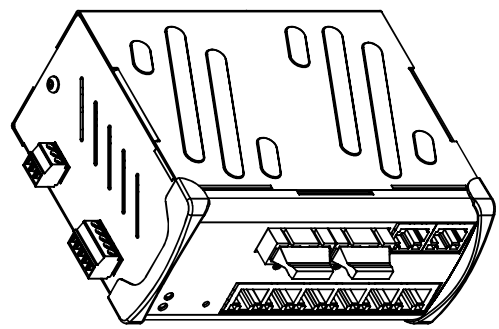
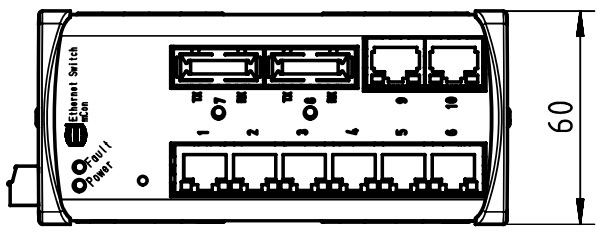
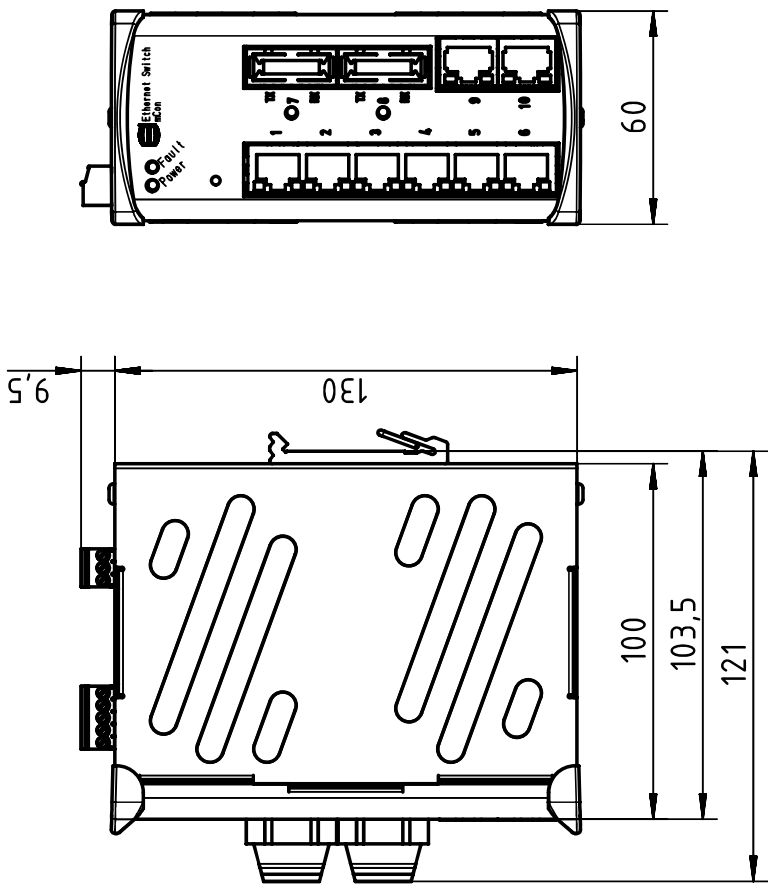


1 2 3 4 5 6



for mounting rail acc. to DIN EN 60715

| | | | | |
|---|--|-------------------------------|---------------------------|--|
| | All Dimensions in mm Original Size DIN A4 | Scale 1:2 | Free size tol. | Ref. Sub. TB 76 110 4101 v. 29.01.09 |
| | All rights reserved Department EL PD - DE | Created by ILJIN | Inspected by LOETKMANN | Date 2013-09-03 |
| HARTING Electric GmbH & Co. KG D-32339 Espelkamp | | Title Ha-VIS mCon 3082-ADV | | State Final Release |
| | | Type TB | Number 20 76 110 4101 | Doc-Key / ECM-Nr. 10017233/UGD/004/A 53000066842 |
| | | | Rev. A | Page 1/1 |