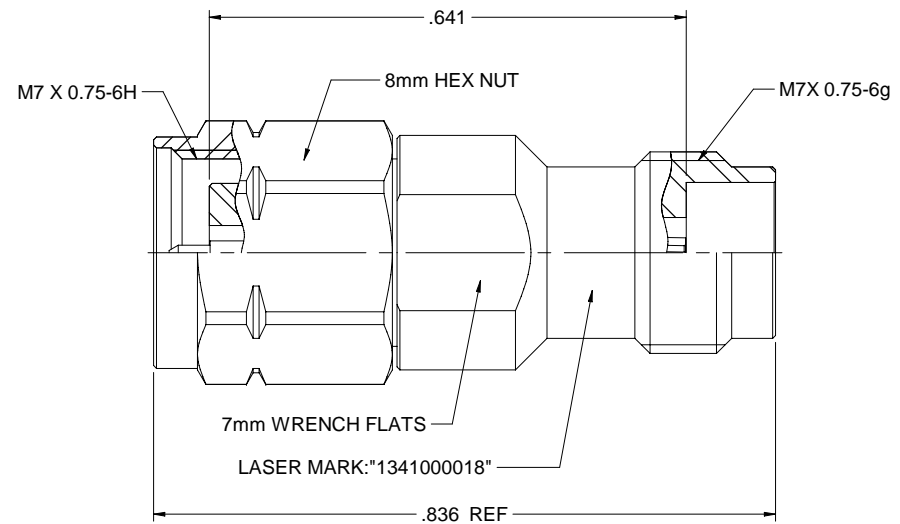


MODEL NO.	PACKAGING
134-1000-018	ONE PCS PER BAG

REV	ECO	DATE
001	ECO-17-003	12/18/2017
002	ECO-18-003	08/21/2018



NOTES: UNLESS OTHERWISE SPECIFIED

1. MATERIAL & FINISH:

- 1.1 BODY & SHELL: PASSIVATED STAINLESS STEEL
- 1.2 CONTACT PIN : GOLD PLATED BERYLLIUM COPPER
- 1.3 INSULATOR: ULTEM 1000 AMBER
- 1.4 GASKET: SILICONE RED
- 1.5 C RING: BERYLLIUM COPPER

2. ELECTRICAL:

- 2.1 IMPEDANCE: 50 OHMS
- 2.2 FREQUENCY RANGE: DC-50 GHz
- 2.3 DIELECTRIC WITHSTANDING VOLTAGE: 500 VRMS MIN
- 2.4 VOLTAGE STANDING WAVE RATIO: DC- 26.5GHz: 1.06 MAX
26.5- 40 GHz: 1.10 MAX
40 - 50 GHz: 1.15 MAX
- 2.5 CONTACT RESISTANCE: CENTER CONTACT: 4 MILLIOHMS MAX
OUTER CONTACT: 2.5 MILLIOHMS MAX
- 2.6 INSULATION RESISTANCE: 5000 MOHM MIN

3. MECHANICAL:

- 3.1 ENGAGEMENT/ DISENGAGEMENT FORCE: 0.23 NM MAX
- 3.2 COUPLING PROOF TORQUE: 1.65NM MIN (1.85MM)
- 3.3 COUPLING NUT RETENTION FORCE: 267 N MIN (1.85MM)
- 3.4 CONTACT RETENTION: 20 N MIN
- 3.5 DURABILITY: 500 CYCLES MIN

4. ENVIRONMENT:

- 4.1 THERMAL SHOCK: MIL-STD-202, METHOD 107, CONDITION B.
- 4.2 OPERATING TEMPERATURE: -65 TO 165°C
- 4.3 SHOCK: MIL-STD-202, METHOD 213, CONDITION I
- 4.4 VIBRATION: MIL-STD-202, METHOD 204, CONDITION D
- 4.5 MOISTURE RESISTANCE: MIL-STD-202, METHOD 106

	Model No. 134-1000-018	Single CODE	
	RoHS2/REACH 2011/85/EU ALL OTHERS SHALL BE COMPLIANT WITH THE RESTRICTIONS OF THE ROHS DIRECTIVE AND REACH REGULATION.		
APPROVED DRAWING BY: [Signature] DATE: 08/21/2018	DRAWN BY: Betty.Yu DATE: 08/21/2018	SIZE: C	Rev. 002 DO NOT SCALE DRAWING: NONE Sheet 1 of 1