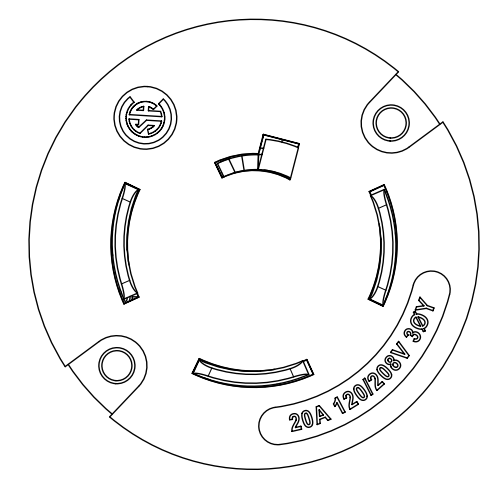
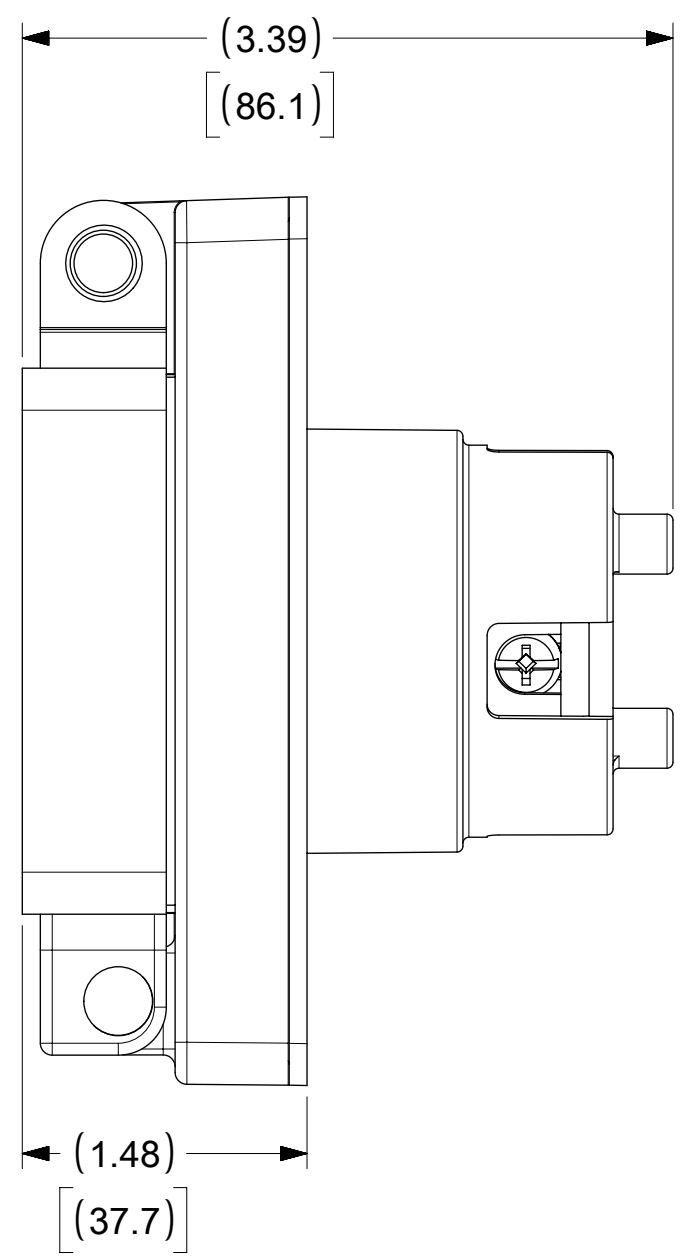
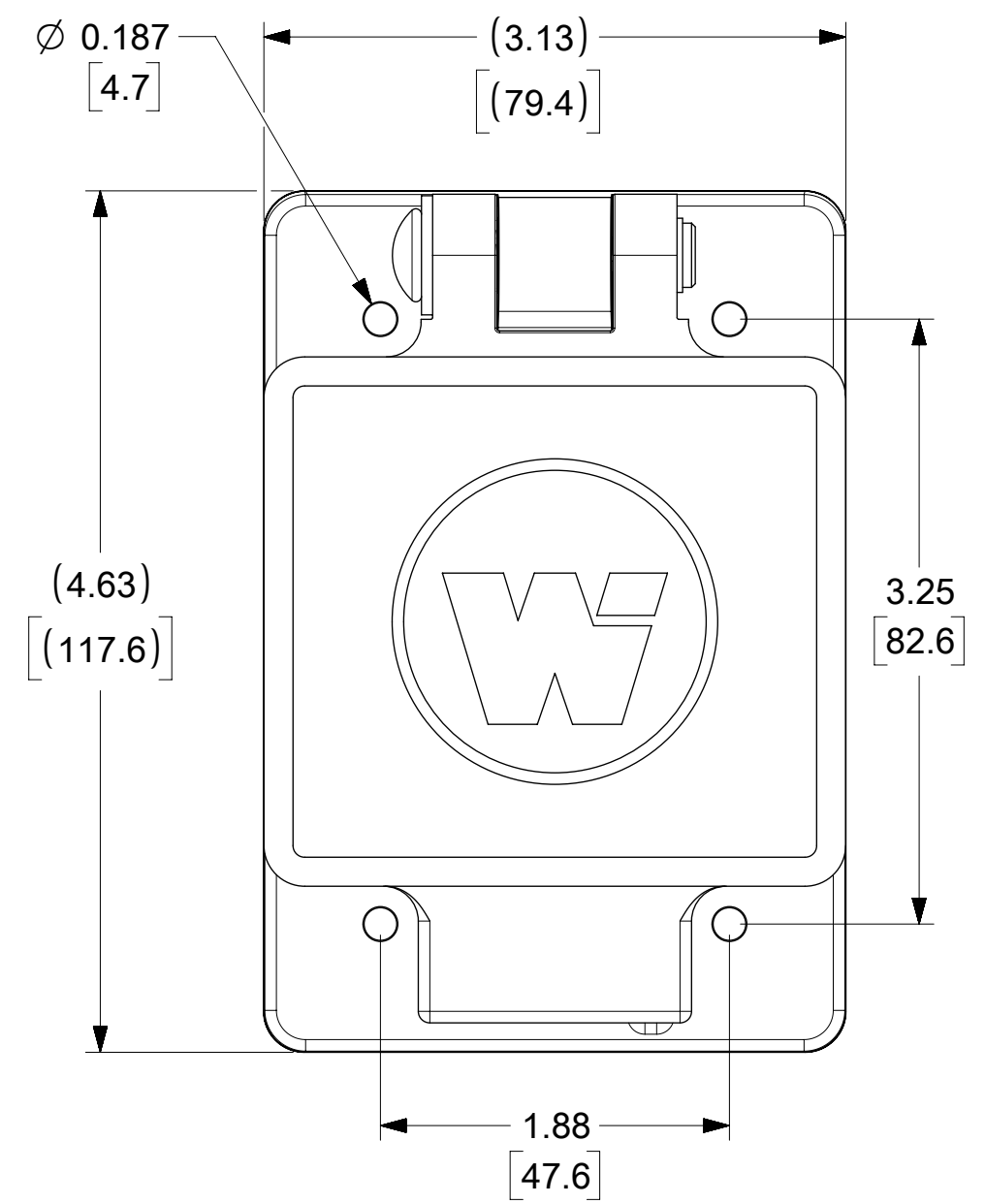
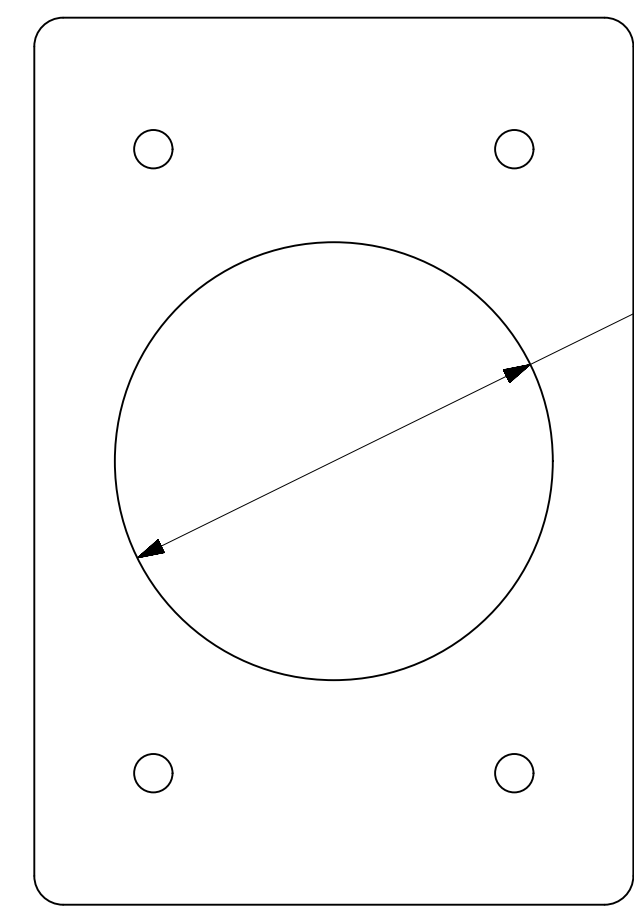
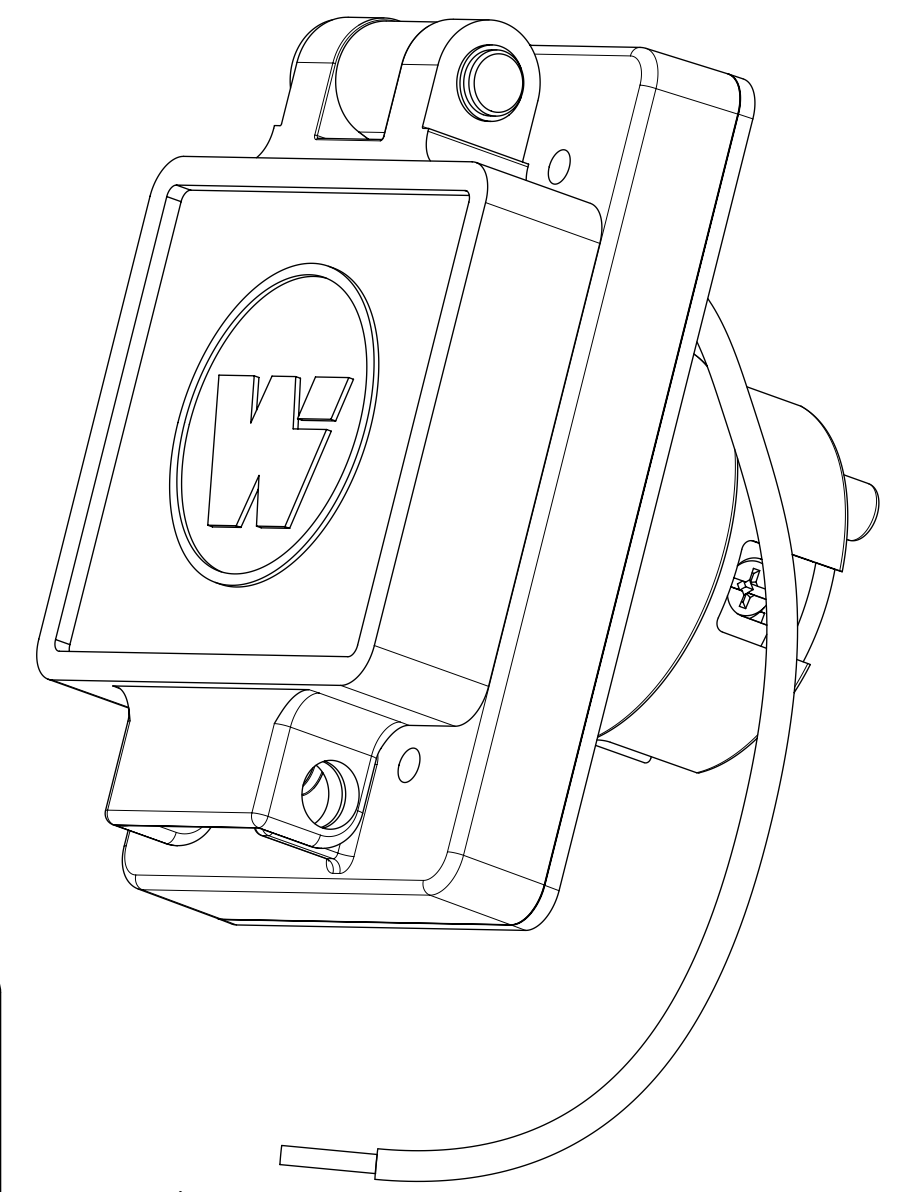


ORDER NO.	WOODHEAD NO.	COLOR
130147-0125	68W74	YELLOW



FACE VIEW



CLEARANCE HOLE (FOR PANEL MOUNT)

Ø 2.281
[57.94]

DESCRPTION	MATERIAL	QTY.
BLADES	BRASS, NICKEL PLATED	3
RETAINING SCREWS	STAINLESS STEEL	3
CLAMP AND TERMINAL SCREW ASSY.	BRASS, ZINC PLATED	3
MALE INSERT	NYLON	1
TERMINAL COVER	POLYCARBONATE	1
COVER ASSEMBLY	POLYCARBONATE, STAINLESS STEEL, ALUMINUM	1
GASKET FLIP	NEOPRENE	1
MOTOR BASE MTG ASSY	POLYCARBONATE, STAINLESS STEEL, BRASS	1
SCREW (GROUND WIRE)	STAINLESS STEEL	1
JUMPER WIRE ASSY	COPPER, BRASS (TINNED FINISH)	1

THIS DRAWING CONTAINS INFORMATION THAT IS PROPRIETARY TO MOLEX ELECTRONIC TECHNOLOGIES, LLC AND SHOULD NOT BE USED WITHOUT WRITTEN PERMISSION									
SYMBOLS		DIMENSION UNITS		SCALE		CURRENT REV DESC: MIGRATE TO ECTR/NX			
▽ = 0	INCH	[MM]	NTS			<p>molex</p> <p>WATERTITE MOTOR BASE COVERPLATE 4P4W NON-NEMA</p> <p>PRODUCT CUSTOMER DRAWING</p> <p>DOCUMENT NUMBER: 1301470125 DOC TYPE: PSD DOC PART: 000 REVISION: A</p> <p>MATERIAL NUMBER: SEE TABLE CUSTOMER: GENERAL MARKET SHEET NUMBER: 1 OF 1</p>			
▽ = 0	GENERAL TOLERANCES (UNLESS SPECIFIED)								
▽ = 0		MM	INCH						
▽ = 0	4 PLACES	±	±						
▽ = 0	3 PLACES	±	±			<p>EC NO: 613948</p> <p>DRWN: SRPATIL 2018/12/27</p> <p>CHK'D: DNGUYEN62 2019/03/19</p> <p>APPR: HKNEELAND 2019/03/22</p>			
▽ = 0	2 PLACES	±	±			<p>INITIAL REVISION:</p> <p>DRWN: SRPATIL 2018/12/27</p> <p>APPR: HKNEELAND 2019/03/22</p>			
▽ = 0	1 PLACE	±	±						
▽ = 0	0 PLACES	±	±						
▽ = 0	ANGULAR TOL ± °								
▽ = 0	DRAFT WHERE APPLICABLE MUST REMAIN WITHIN DIMENSIONS			THIRD ANGLE PROJECTION		DRAWING SERIES		C-SIZE 130147	