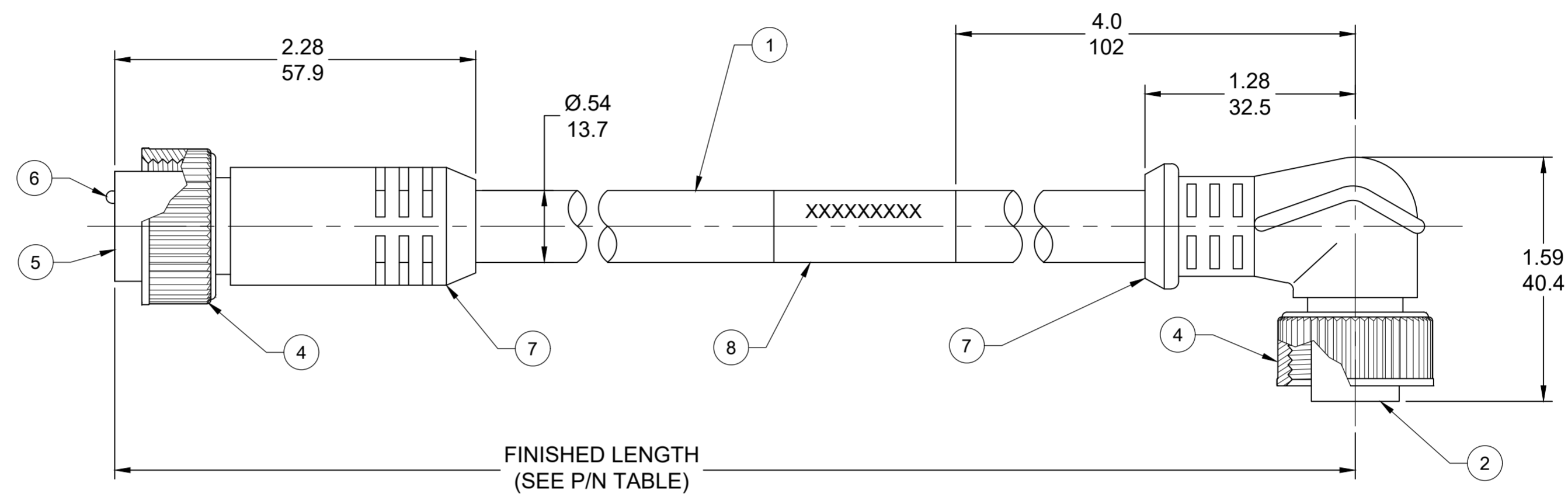
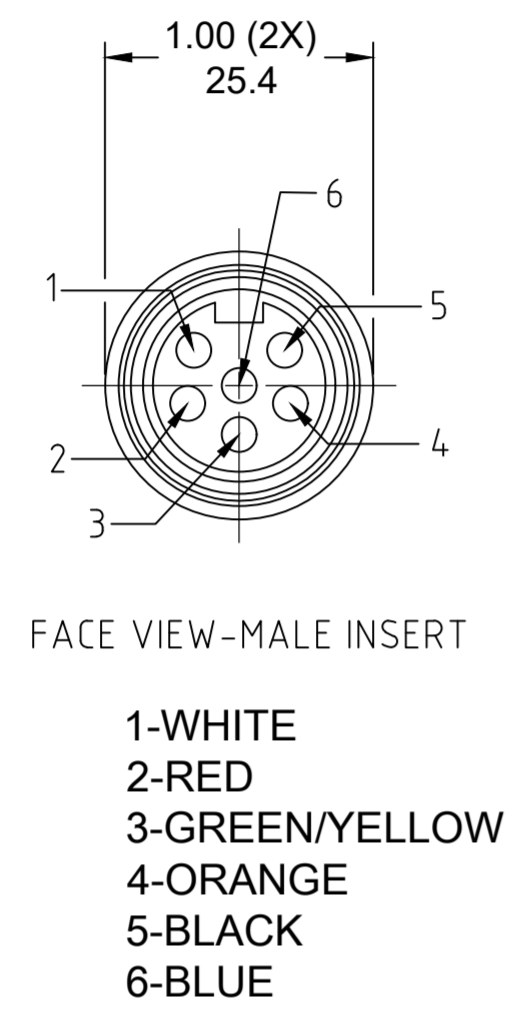
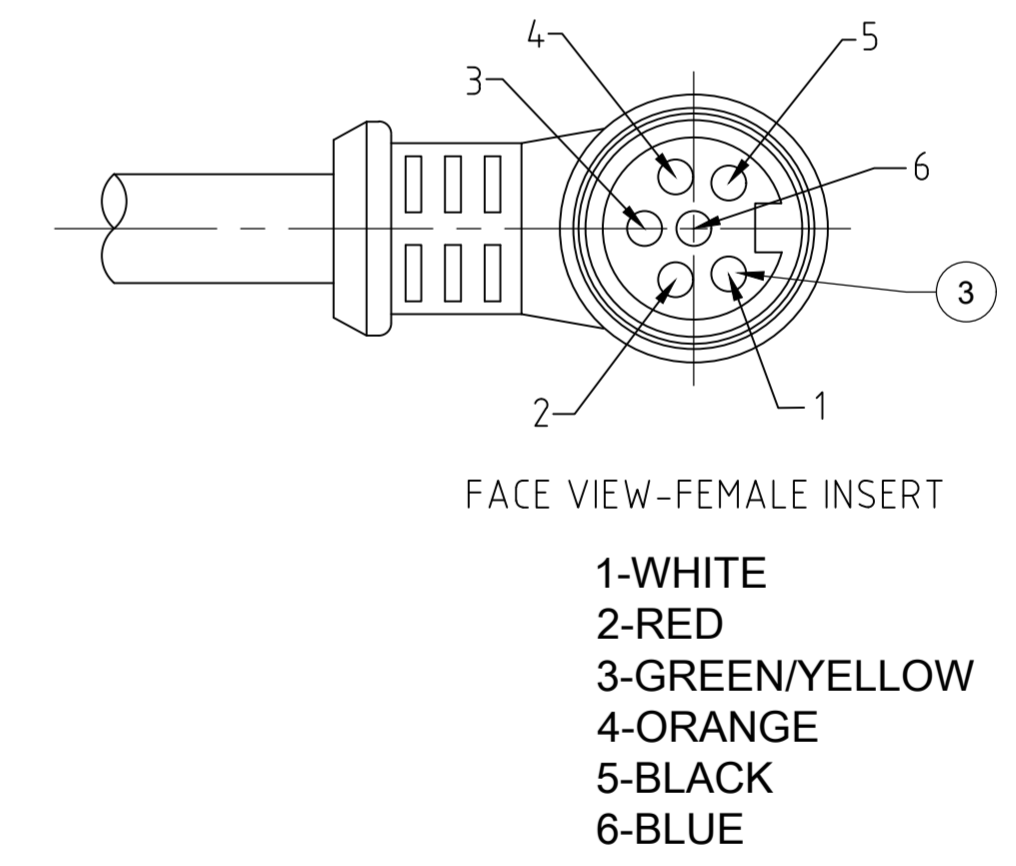
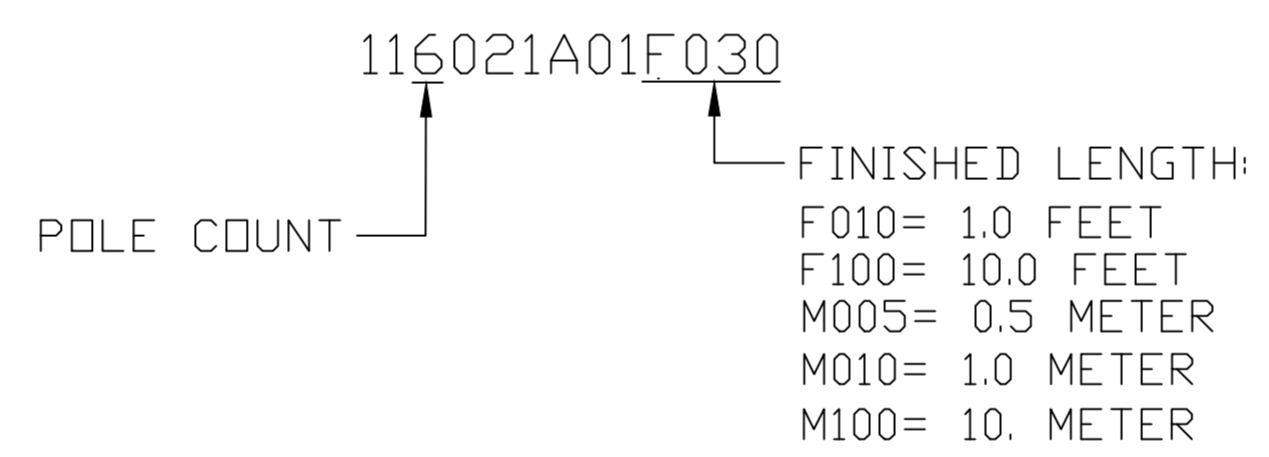


PART NO.	ENGINEERING NO.	FINISHED LENGTH
1300101385	116021A01F030	3.0 FT [0.9M]
1300101386	116021A01F060	6.0 FT [1.8M]
1300101388	116021A01F120	12.0 FT [3.7M]

CABLE LENGTH TOLERANCES	
>.3M [1FT]:	+19mm-0 [+.75in-0]
.3 - .9M [1 - 3FT]:	+44.5mm-0 [+1.75in-0]
.9 - 1.8M [3 - 6FT]:	+55.6mm-0 [+2.19in-0]
1.8 - 3.7M [6 - 12FT]:	+88.9mm-0 [+3.50in-0]
3.7 - 7.3M [12 - 24FT]:	+165.1mm-0 [+6.50in-0]
7.3-14.6M [24 - 48FT]:	+317.5mm-0 [+12.50in-0]
14.6 - 30.5M [48-100FT]:	+622.3mm-0 [+24.50in-0]
OVER 30M [100FT]	+2% OF FINISHED LENGTH



PART NUMBER LEGEND



- NOTES:**
- MATERIAL: AS NOTED
 - FINISH: AS NOTED
 - ELECTRICAL:
VOLTAGE: 400V PER IEC 60664
600V PER UL 2238
CURRENT: 8A
 - TEMP RATING: -20°C TO +105°C
 - PROTECTION: IP67 (WHEN MATED)
 - COUPLING THREAD: 7/8-16 UN
 - UL RECOGNIZED FILE: E152210
CSA FILE: LR6837
 - ALL DIMS ARE FOR REFERENCE UNLESS TOLERANCED OR NOTED OTHERWISE

PRE-RELEASE
REFERENCE
USE ONLY

ITEM	DESCRIPTION	MATERIAL	FINISH
8	FLAG LABEL	VINYL	BLACK/YELLOW
7	OVERMOLD	TPE	YELLOW
6	CONTACT PIN	COPPER ALLOY	GOLD PLATED
5	MALE INSERT (A-SIZE)	TPE	YELLOW
4	COUPLING, INT. THRD	ZINC DIE-CAST	BLACK
3	CONTACT SOCKET	COPPER ALLOY	GOLD PLATED
2	FEMALE INSERT (A-SIZE)	TPE	YELLOW
1	CABLE, 16AWG (ST00W)	PVC JACKET	YELLOW

SYMBOLS		THIS DRAWING CONTAINS INFORMATION THAT IS PROPRIETARY TO MOLEX ELECTRONIC TECHNOLOGIES, LLC AND SHOULD NOT BE USED WITHOUT WRITTEN PERMISSION		CURRENT REV DESC: RELEASED	
▽ = 0	4 PLACES ±----	DIMENSION UNITS: INCH/MM	SCALE: 1:1	EC NO: ----	
▽ = 0	3 PLACES ±----	GENERAL TOLERANCES (UNLESS SPECIFIED)		DRWN: RSTONE 2019/10/22	
▽ = 0	2 PLACES ±----	mm	INCH	CHK'D: MZIELINSKI 2019/10/31	
▽ = 0	1 PLACE ±----	ANGULAR TOL ± ---- °		APPR: ----	
▽ = 0	0 PLACES ±----	DRAFT WHERE APPLICABLE MUST REMAIN WITHIN DIMENSIONS		INITIAL REVISION: DRWN: RSTONE 2019/10/22 APPR: ----	
▽ = 0		THIRD ANGLE PROJECTION	DRAWING: C-SIZE	SERIES: 130010	DOCUMENT NUMBER: 1300101385
					DOC TYPE: PSD
					DOC PART: 000
					REVISION: 1
					SHEET NUMBER: 1 OF 1

DOCUMENT STATUS	RV	RELEASE DATE	2019/10/31	22:20:46
-----------------	----	--------------	------------	----------