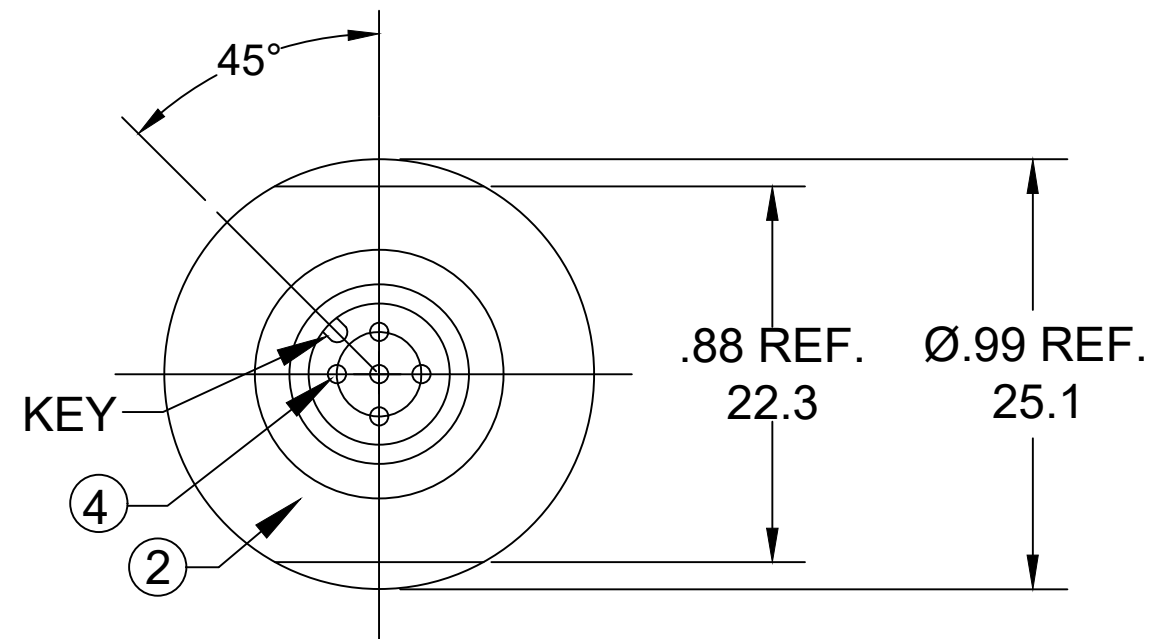
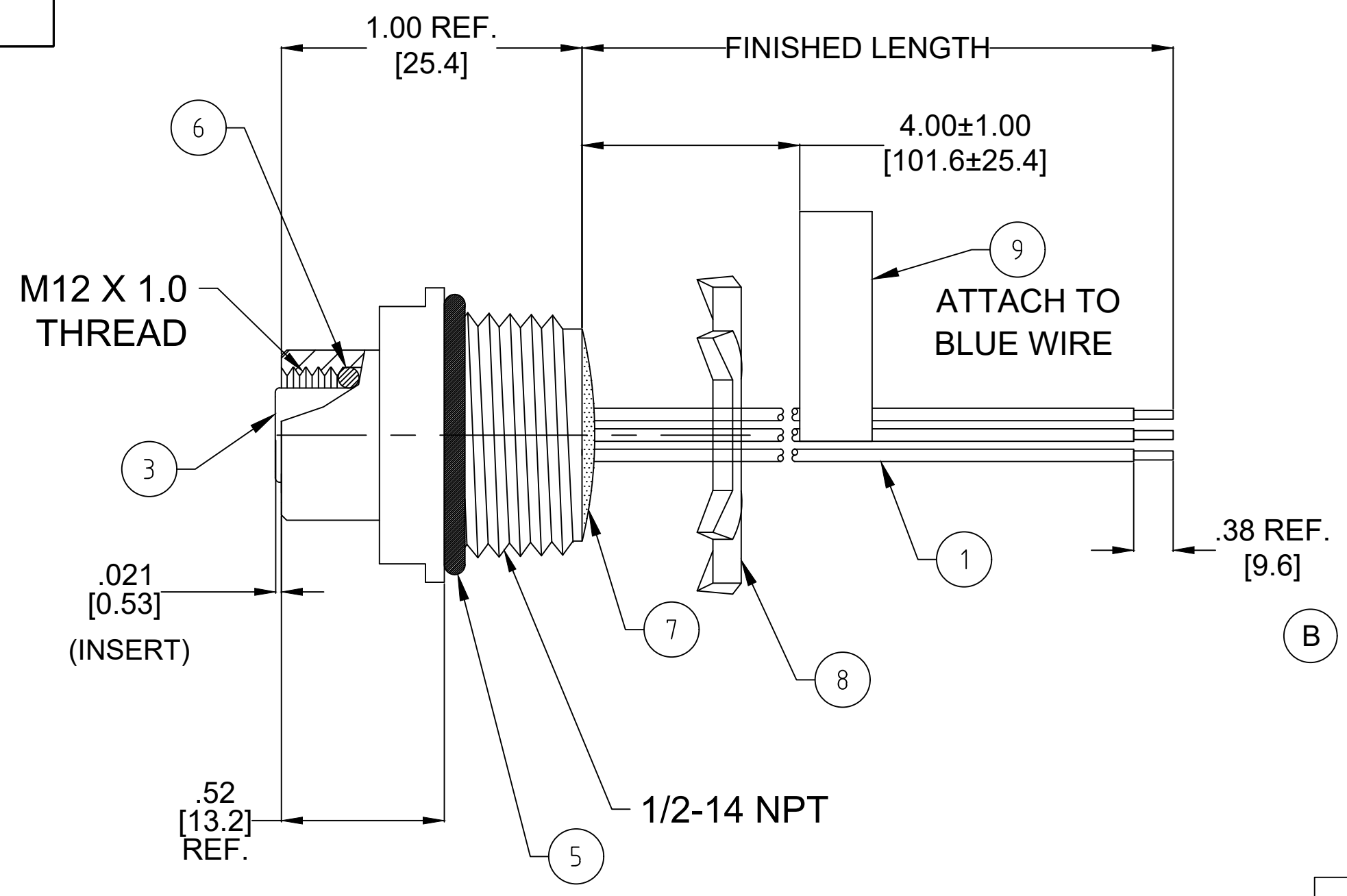


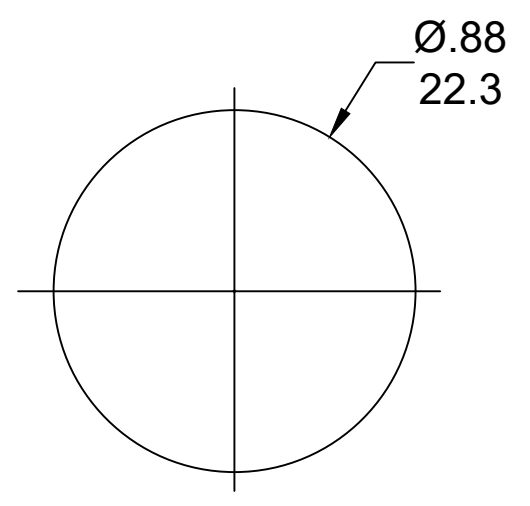
SAP P/N #	ENGINEERING P/N	FINISHED LENGTH
1200700168	8R4000A16M005	0.5M [1FT 8 IN]
1200704013	8R5000A16M030	3M [9FT 10 IN]
1200700172	8R4000A16M060	6M [19FT 8 IN]



- NOTES:**
- MATERIAL: AS NOTED
 - FINISH: AS NOTED
 - ELECTRICAL:
VOLTAGE: 4 & 5P 250V
CURRENT: 4A
 - TEMP RATING: -20°C TO +105°C
 - PROTECTION: IP67 (WHEN MATED)
 - CSA CERTIFIED FILE: LR6837
 - ALL DIMENSIONS ARE FOR REFERENCE UNLESS TOLERANCED OR NOTED OTHERWISE



KNOCKOUT HOLE



ITEM	COMPONENT	MATERIAL	FINISH
9	LABEL	VINYL	BLACK/YELLOW
8	LOCKNUT	STEEL	ZINC PLATED
7	POTTING MATERIAL	EPOXY	
6	O-RING (MATING)	VITON	RED
5	O-RING (PANEL)	NITRILE	BLACK
4	CONTACT SOCKET	COPPER ALLOY	GOLD OVER NICKEL
3	FEMALE INSERT	NYLON	BLACK
2	SHELL FM M12x1	ZINC DIE CAST	YELLOW
1	WIRE #18	PVC	SEE FACE VIEW

PART NO. LEGEND

8R4000A16M005

POLES (4, 5) LENGTH:
M005= 0.5 METER
M010= 1 METER
M100= 10 METER

CABLE LENGTH TOLERANCES

<.3M [1FT]:	+19mm-0 [+.75in-0]
.3 - .9M [1 - 3FT]:	+44.5mm-0 [+1.75in-0]
.9 - 1.8M [3 - 6FT]:	+55.6mm-0 [+2.19in-0]
1.8 - 3.7M [6 - 12FT]:	+88.9mm-0 [+3.50in-0]
3.7 - 7.3M [12 - 24FT]:	+165.1mm-0 [+6.50in-0]
7.3-14.6M [24 - 48FT]:	+317.5mm-0 [+12.50in-0]
14.6 - 30.5M [48-100FT]:	+622.3mm-0 [+24.50in-0]
OVER 30M [100FT]	+2% OF FINISHED LENGTH

FUNCTIONAL SYMBOLS	THIS DRAWING CONTAINS INFORMATION THAT IS PROPRIETARY TO MOLEX ELECTRONIC TECHNOLOGIES, LLC AND SHOULD NOT BE USED WITHOUT WRITTEN PERMISSION																
	DIMENSION UNITS	SCALE		CURRENT REV DESC: UPDATED BOM, CORRECTED CABLE LENGTH TOLERANCES, CORRECTED STRIPPED WIRE DIM													
INCH/MM	1:1		GENERAL TOLERANCES (UNLESS SPECIFIED)						MICRO-CHANGE RECEPTACLE, A-SIZE, 4-5 POLE, FEMALE, STRAIGHT, SINGLE KEY, 18 AWG								
DIVISIONAL SYMBOLS	mm		INCH		EC NO: 727352						DOCUMENT NUMBER						
	4 PLACES	±----	±----	±----	DRWN: SAMB12 2022/11/03						SD-120070-043						
2 PLACES				±----		±----		CHK'D: RSTONE 2022/11/03						DOC TYPE/DOC PART/REVISION			
1 PLACE				±----		±----		APPR: BWOODMAN 2022/11/03						PSD 001 B			
0 PLACES				±----		±----		INITIAL REVISION:						MATERIAL NUMBER			
ANGULAR TOL ± ---- °				±----		±----		DRWN: RSTONE 2012/11/05						CUSTOMER			
DRAFT WHERE APPLICABLE MUST REMAIN WITHIN DIMENSIONS				THIRD ANGLE PROJECTION		DRAWING		SERIES		MATERIAL NUMBER						SHEET NUMBER	
						C-SIZE		120070		GENERAL MARKET						1 OF 1	