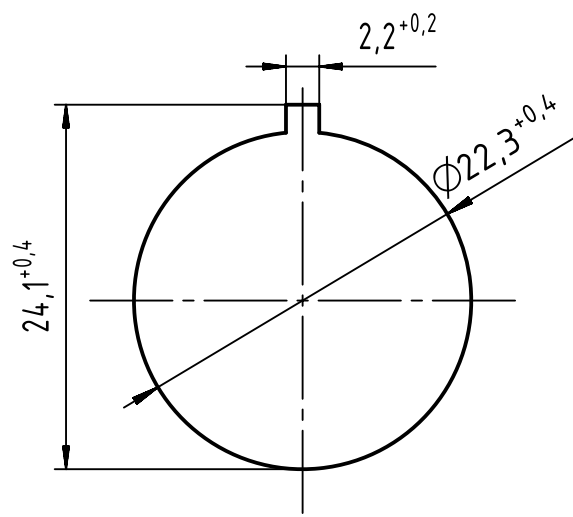
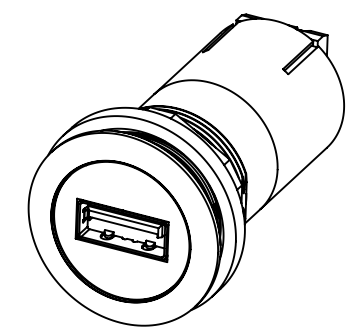
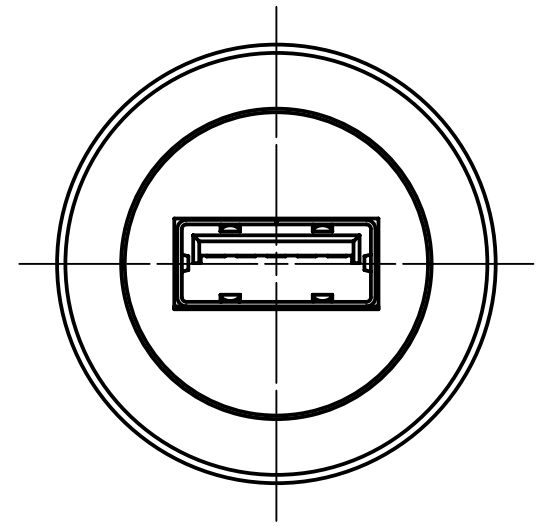
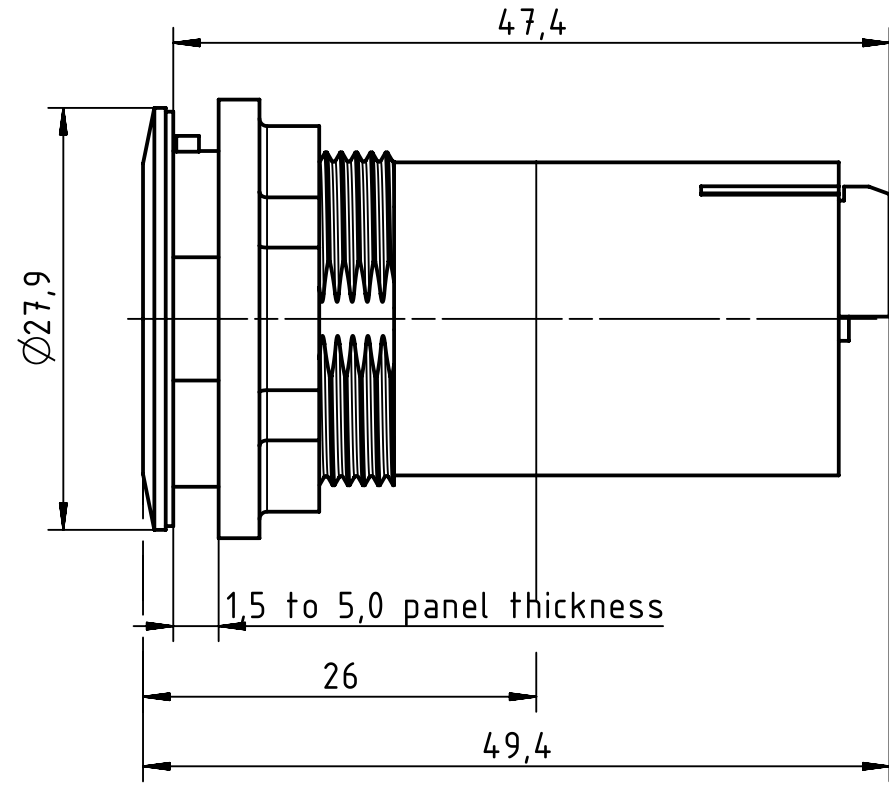


PANEL CUT DIMENSIONS



	All rights reserved		Created by FARCASIU		Inspected by PRIESTER		Standardisation SCHMIDTM		Date 2018-08-28		State Final Release	
	Department EL PD		Title har-port USB charger 5V/1,5A black		Number 09 45 452 1980		Doc-Key / ECM-Nr. 100797768/UGD/000/A 500000138284		Rev. A		Page 1/1	
HARTING Electric GmbH & Co. KG D-32339 Espelkamp			All Dimensions in mm Original Size DIN A4		Scale 1:1 Free size tol.		Ref. Sub.					