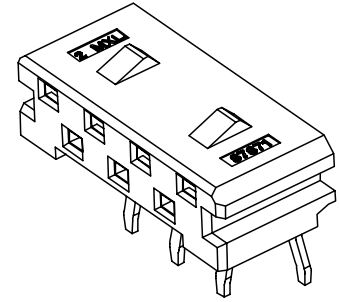
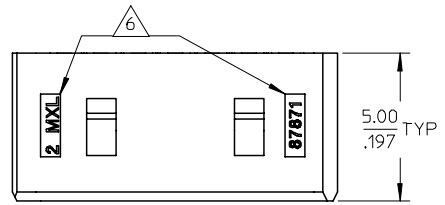
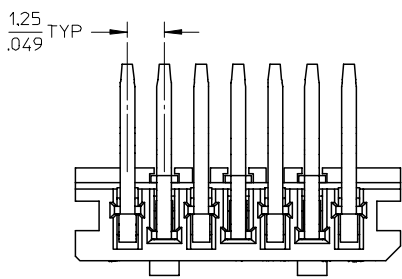
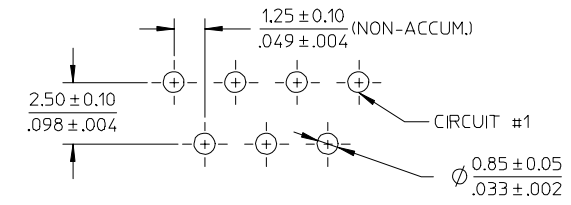
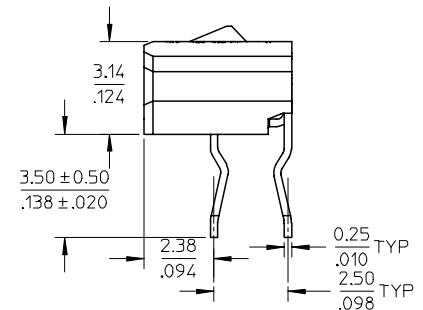
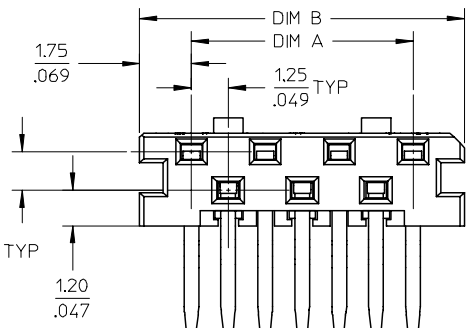


10 9 8 7 6 5 4 3 2 1



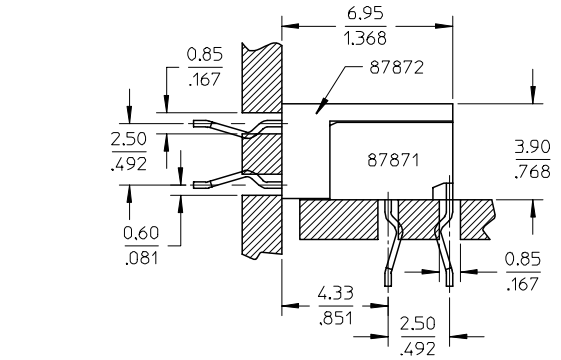
PART NUMBER IN T&R	PART NUMBER IN TUBE	CKT SIZE	DIM A	DIM B
87871-2403	87871-2203	3	2.5	6.0
87871-2405	87871-2205	5	5.0	8.5
87871-2407	87871-2207	7	7.5	11.0
87871-2409	87871-2209	9	10.0	13.5
87871-2411	87871-2211	11	12.5	16.0
87871-2413	87871-2213	13	15.0	18.5
87871-2415	87871-2215	15	17.5	21.0
87871-2417	87871-2217	17	20.0	23.5
87871-2419	87871-2219	19	22.5	26.0
87871-2421	87871-2221	21	25.0	28.5
87871-2423	87871-2223	23	27.5	31.0



RECOMMENDED PCB LAYOUT
(BOARD THICKNESS : 1.6MM)

NOTES

- MATERIAL : HOUSING - HIGH TEMP THERMOPLASTIC, GLASS FILLED, UL94 V-0, COLOR : NATURAL
TERMINAL - PHOSPHOR BRONZE
- FINISHES : TERMINAL - TIN OVERALL
THICKNESS=3.0 MICROMETER/118 MICRONCH MINIMUM
- PRODUCT SPECIFICATION : PS-87871-006
- PART MATEABLE TO 87872-11**
- PARTS ARE PACKED IN TUBE.
- PART NUMBER & CAVITY IDENTIFICATION NUMBER

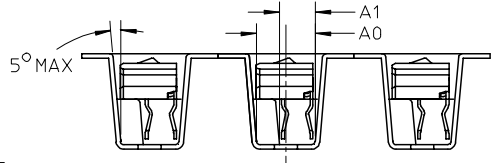
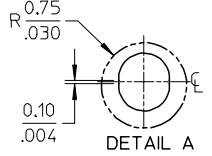
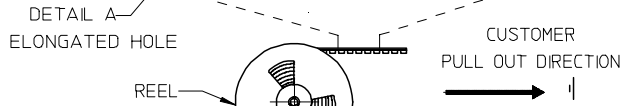
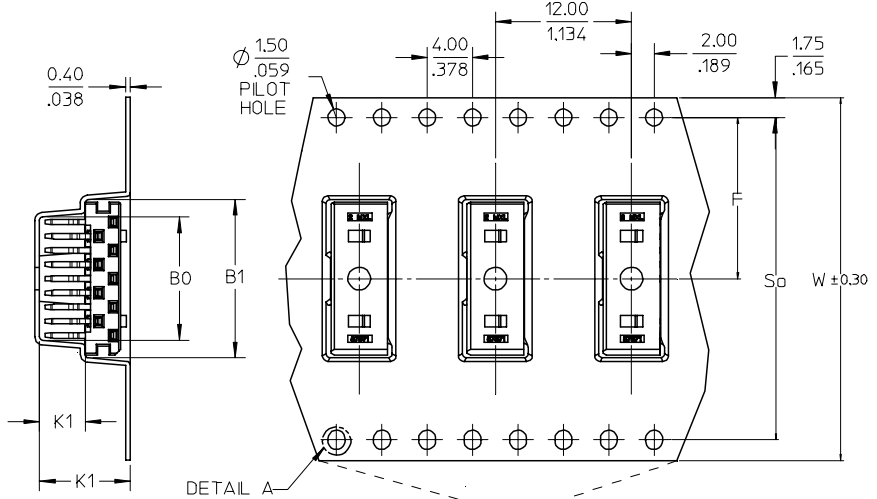


ADD PART NO. EC NO: S2006-0462 DRWN:KFLM 2005/10/26 CHKD:BLW 2005/10/26 APPR:PTLIM 2005/10/27	QUALITY SYMBOLS ▽=0 ▽=0	GENERAL TOLERANCES (UNLESS SPECIFIED)		DIMENSION STYLE		SCALE	DESIGN UNITS	THIRD ANGLE PROJECTION			
				MM/IN		NTS	METRIC				
						DRAWN BY		TITLE			
						DATE		SALES, ZIGZAG, 1.25MM BTB, RECEPTACLE WITH FRICTION LOCK (LEADFREE)			
				4 PLACES ± --- ± ---		BHLW		2004/03/03		MOLEX INCORPORATED	
				3 PLACES ± --- ± ---		CHECKED BY		DATE			
				2 PLACES ± 0.20 ± ---		PTLIM		2004/04/14			
				1 PLACE ± --- ± ---		APPROVED BY		DATE			
				ANGULAR ± 3 °		SCLOW		2004/04/14			
				DRAFT WHERE APPLICABLE MUST REMAIN WITHIN DIMENSIONS		MATERIAL NO.		DOCUMENT NO.		SHEET NO.	
						SEE TABLE		SD-87871-001		1 OF 2	
						SIZE		THIS DRAWING CONTAINS INFORMATION THAT IS PROPRIETARY TO MOLEX INCORPORATED AND SHOULD NOT BE USED WITHOUT WRITTEN PERMISSION			
						A3					

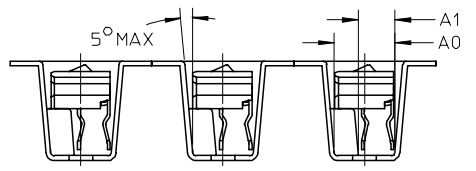
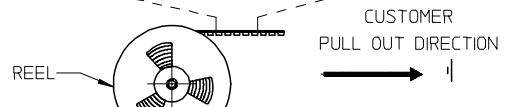
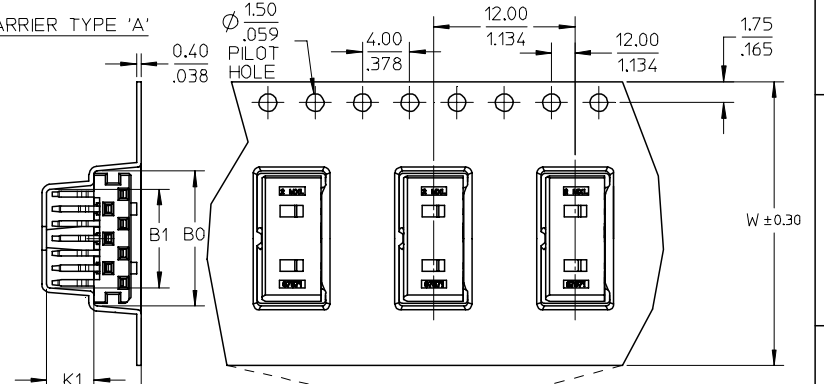
9 8 7 6 5 4 3 2 1

10 9 8 7 6 5 4 3 2 1

EMBOSSED CARRIER TYPE 'B'

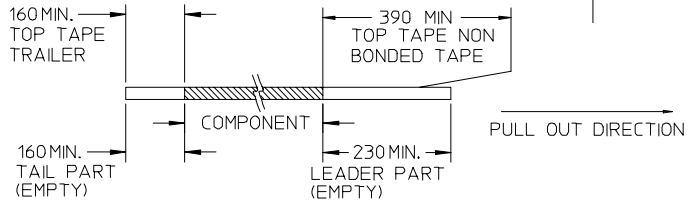


EMBOSSED CARRIER TYPE 'A'

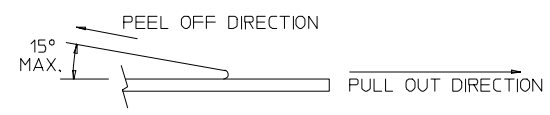


P/N IN T&R	CKT SIZE	W	F	B1	B0	S0	A1	A0	K1	K0	TYPE
87871-2403	3	24	11.50	3.30	6.40	-	3.10	5.10	4.00	8.00	A
87871-2405	5	24	11.50	5.80	8.90	-	3.10	5.10	4.00	8.00	A
87871-2407	7	24	11.50	8.30	11.40	-	3.10	5.10	4.00	8.00	A
87871-2409	9	32	14.20	10.80	13.90	28.4	3.10	5.10	4.00	8.00	B
87871-2411	11	32	14.20	13.30	16.40	28.4	3.10	5.10	4.00	8.00	B
87871-2413	13	32	14.20	15.80	18.90	28.4	3.10	5.10	4.00	8.00	B
87871-2415	15	32	14.20	18.30	21.40	28.4	3.10	5.10	4.00	8.00	B
87871-2417	17	44	20.20	20.80	23.90	40.40	3.10	5.10	4.00	8.00	B
87871-2419	19	44	20.20	23.30	26.40	40.40	3.10	5.10	4.00	8.00	B
87871-2421	21	44	20.20	25.80	28.90	40.40	3.10	5.10	4.00	8.00	B
87871-2423	23	44	20.20	28.30	31.40	40.40	3.10	5.10	4.00	8.00	B

NOTES:
1. LEADER AND TRAILER TAPE



2. PEELING OFF FORCE OF THE TOP TAPE: 20 - 80gf.
(PEELING DIRECTION AS SHOWN IN FOLLOWING FIGURE)



3. TAPE AND REEL SPECIFICATION IS AS PER EIA-481.
4. THE TAPE IS TREATED FOR ANTI-STATIC.

ADD NEW SHEET EC NO: S2006-0462 DRWN:KELIM CHKD:BLHOW APPR:PTLIM	2005/10/26	2005/10/26	2005/10/27
	DESCRIPTION	QUALITY SYMBOLS	REV
	DESCRIPTION	QUALITY SYMBOLS	REV
	A2		

GENERAL TOLERANCES (UNLESS SPECIFIED)	DIMENSION STYLE MM/IN	
	mm	INCH
4 PLACES	± ---	± ---
3 PLACES	± ---	± ---
2 PLACES	± 0.20	± ---
1 PLACE	± ---	± ---
ANGULAR ± 3°		
DRAFT WHERE APPLICABLE MUST REMAIN WITHIN DIMENSIONS		

DRAWN BY BHLOW	DATE 2004/03/03	TITLE SALES, ZIGZAG, 1.25MM BTB, RECEPTACLE WITH FRICTION LOCK (LEADFREE)
CHECKED BY PTLIM	DATE 2004/04/14	MOLEX INCORPORATED
APPROVED BY SCLW	DATE 2004/04/14	
MATERIAL NO.	DOCUMENT NO. SD-87871-001	SHEET NO. 2 OF 2
THIS DRAWING CONTAINS INFORMATION THAT IS PROPRIETARY TO MOLEX INCORPORATED AND SHOULD NOT BE USED WITHOUT WRITTEN PERMISSION		

9 8 7 6 5 4 3 2 1