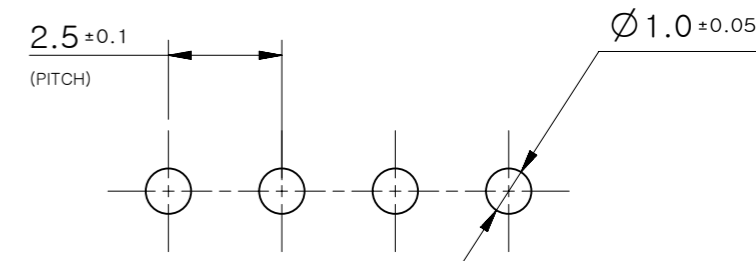


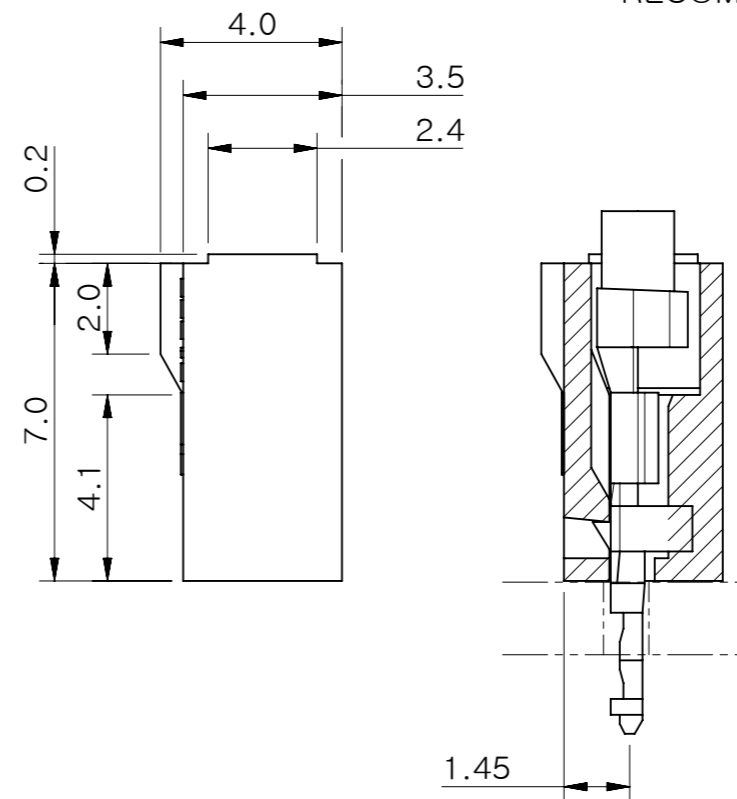
NOTES.

1. APPLICABLE TERMINAL : 500978\*00
2. TRADE MARK IS FORMED BY MXJ AND BY 1-2 DIGIT NUMBER (TO CAVITY NO.) AND BY 1 LETTER OD ALPHABET (TO MOLD NO.)
3. ELV AND RoHS COMPLIANT

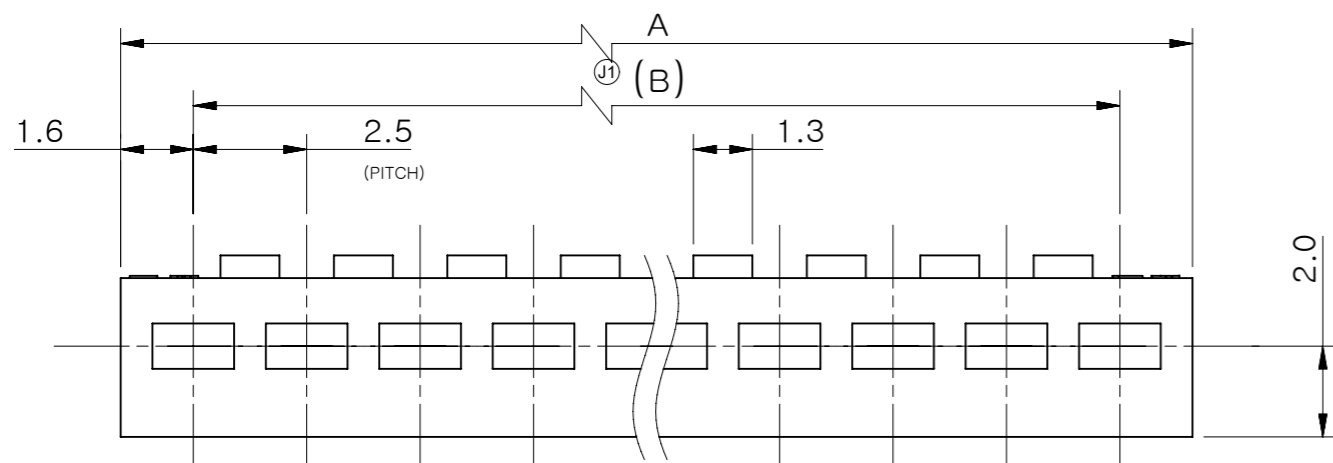
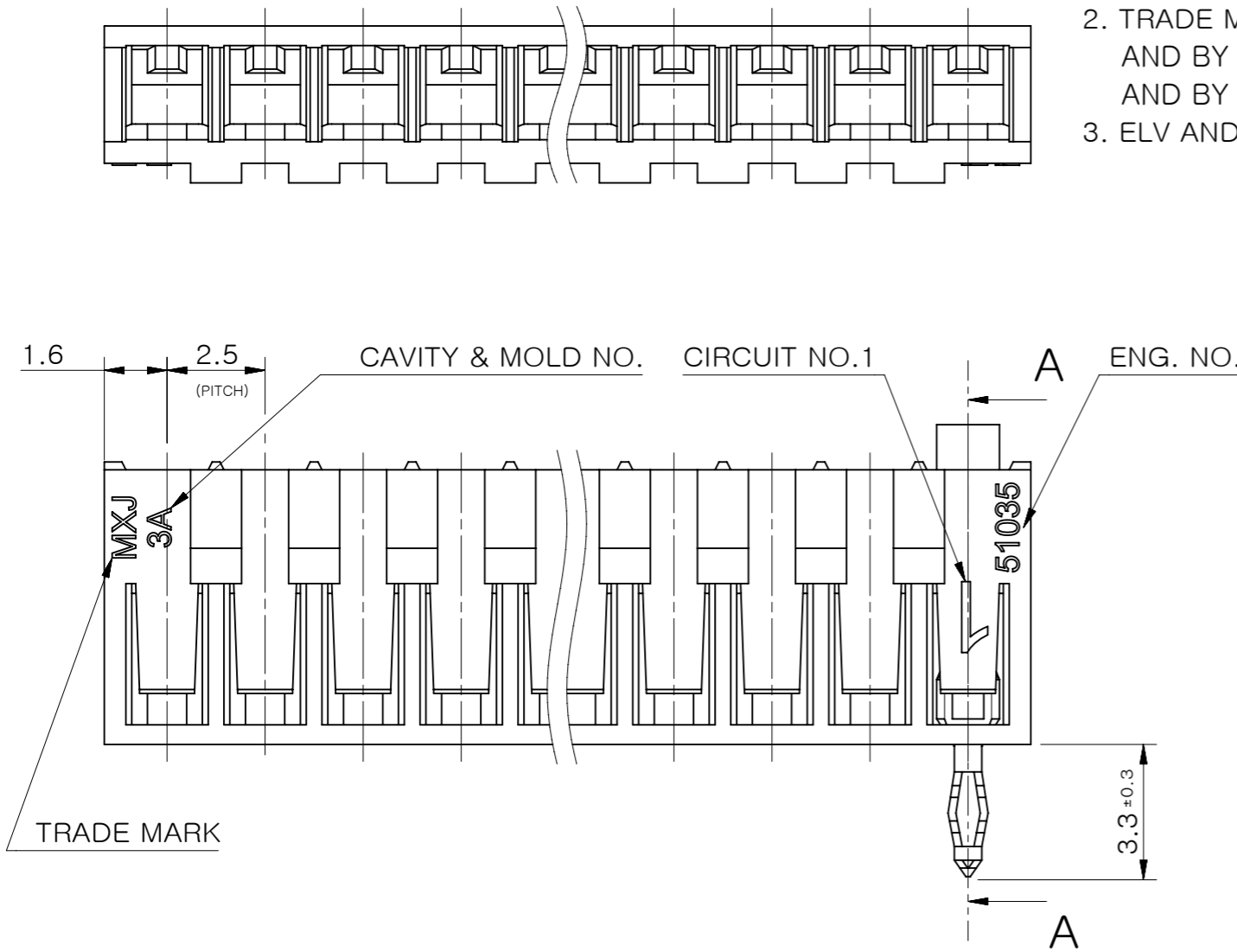
(NON-ACCUMULATIVE)



RECOMMENDED PC BOARD HOLE DIMENSION (THICKNESS : 1.6mm)



35.0	38.2	510351500	15
32.5	35.7	510351400	14
30.0	33.2	510351300	13
27.5	30.7	510351200	12
25.0	28.2	510351100	11
22.5	25.7	510351000	10
20.0	23.2	510350900	9
17.5	20.7	510350800	8
15.0	18.2	510350700	7
12.5	15.7	510350600	6
10.0	13.2	510350500	5
7.5	10.7	510350400	4
5.0	8.2	510350300	3
2.5	5.7	510350200	2
B	A	ORDER NO.	CKT.



GENERAL TOLERANCES (UNLESS SPECIFIED)	
10 UNDER	±0.2
10 OVER 30 UNDER	±0.25
30 OVER	±0.3
DRAFT WHERE APPLICABLE MUST REMAIN WITHIN DEMENSIONS	

MATERIAL	POLYAMIDE, UL94V-0
WIRE RANGE	AWG #24 ~ 20 KV 0.2 ~ 0.5 AVS 0.3 ~ 0.5
INS. RANGE	Ø1.3 ~ Ø2.1

FUNCTIONAL SYMBOLS	THIS DRAWING CONTAINS INFORMATION THAT IS PROPRIETARY TO MOLEX ELECTRONIC TECHNOLOGIES, LLC AND SHOULD NOT BE USED WITHOUT WRITTEN PERMISSION																											
<table border="1"> <tr><td>√A = 0</td><td>mm</td><td>SCALE 6:1</td></tr> <tr><td>√E = 0</td><td colspan="2">GENERAL TOLERANCES (UNLESS SPECIFIED)</td></tr> <tr><td>√F = 0</td><td colspan="2">ANGULAR TOL ± 3.0°</td></tr> <tr><td>4 PLACES ±</td><td colspan="2"></td></tr> <tr><td>3 PLACES ±</td><td colspan="2"></td></tr> <tr><td>2 PLACES ±</td><td colspan="2"></td></tr> <tr><td>1 PLACE ±</td><td colspan="2"></td></tr> <tr><td>0 PLACES ±</td><td colspan="2"></td></tr> <tr><td colspan="3">DRAFT WHERE APPLICABLE MUST REMAIN WITHIN DIMENSIONS</td></tr> </table>	√A = 0	mm	SCALE 6:1	√E = 0	GENERAL TOLERANCES (UNLESS SPECIFIED)		√F = 0	ANGULAR TOL ± 3.0°		4 PLACES ±			3 PLACES ±			2 PLACES ±			1 PLACE ±			0 PLACES ±			DRAFT WHERE APPLICABLE MUST REMAIN WITHIN DIMENSIONS			<p>CURRENT REV DESC:</p> <p>EC NO: 659039 DRWN: JDPARK01 CHK'D: SCHONG03 APPR: JBJIN</p> <p>INITIAL REVISION: DRWN: RHORI APPR: NUKITA</p> <p>THIRD ANGLE PROJECTION</p> <p>DRAWING A3-SIZE</p> <p>SERIES 51035</p>
√A = 0	mm	SCALE 6:1																										
√E = 0	GENERAL TOLERANCES (UNLESS SPECIFIED)																											
√F = 0	ANGULAR TOL ± 3.0°																											
4 PLACES ±																												
3 PLACES ±																												
2 PLACES ±																												
1 PLACE ±																												
0 PLACES ±																												
DRAFT WHERE APPLICABLE MUST REMAIN WITHIN DIMENSIONS																												
<p>2021/03/24</p> <p>2021/03/24</p> <p>2021/03/24</p> <p>2011/05/12</p> <p>2011/05/16</p>																												
<p><b>molex</b></p> <p>2.5 BOARD IN CONN. HOUSING</p> <p>PRODUCT CUSTOMER DRAWING</p>																												
<p>DOCUMENT NUMBER: SD-51035-001</p> <p>DOC TYPE: PSD</p> <p>DOC PART: 001</p> <p>REVISION: J1</p>																												
<p>MATERIAL NUMBER: GENERAL MARKET</p> <p>CUSTOMER: GENERAL MARKET</p> <p>SHEET NUMBER: 1 OF 1</p>																												