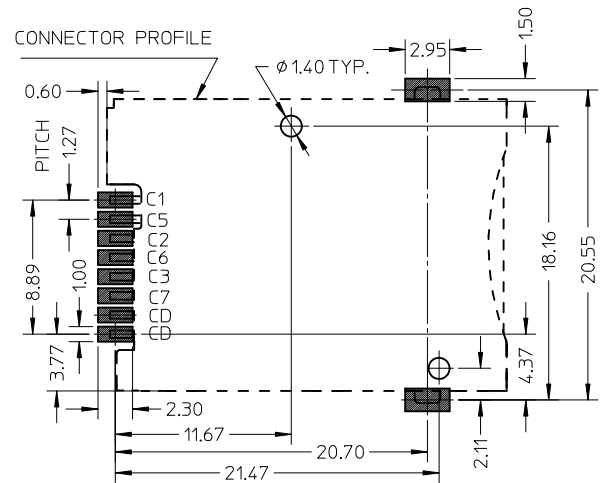
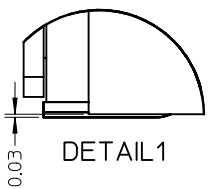
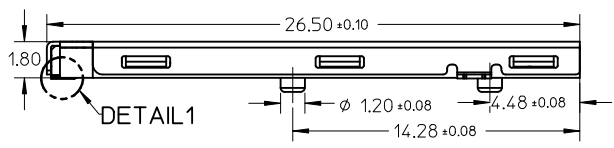
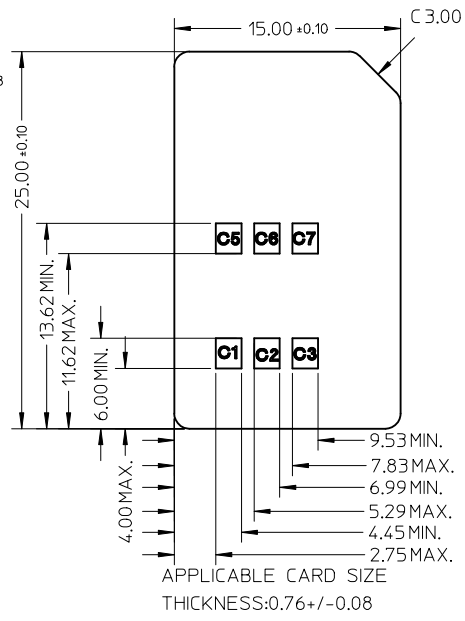
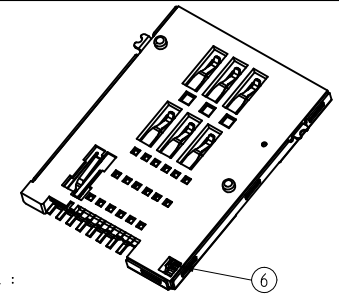
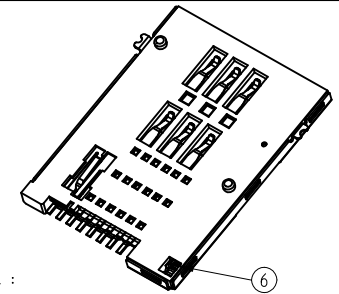
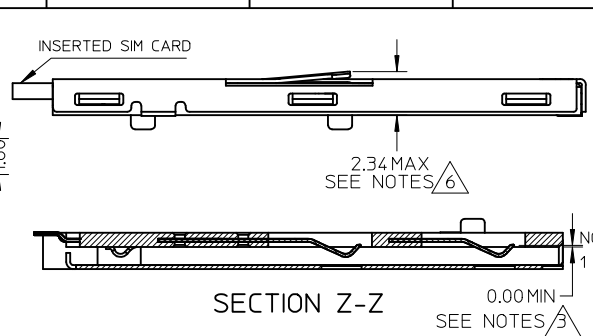
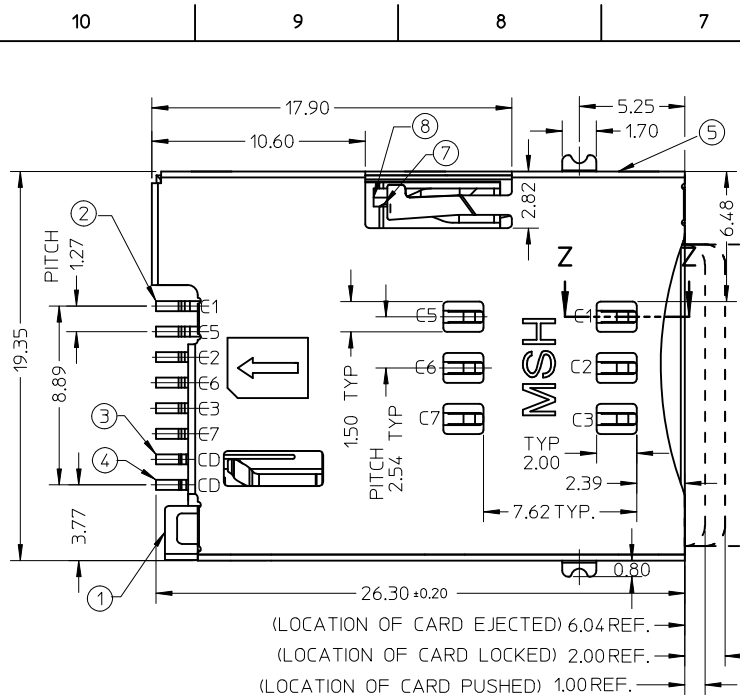


- NOTES:
- 1 FINISH:
 - 1-1 TERMINAL :
 - 50~200μ NICKEL UNDER PLATED
 - 15μ GOLD PLATING ON CONTACT AREA
 - 3μ MIN GOLD FLASH ON SOLDERING AREA
 - 1-2 SHELL :
 - 50~200μ NICKEL UNDER PLATED
 - 3μ MIN GOLD FLASH ON SOLDERING AREA
 - 1-3 DETECT PIN :
 - 50~200μ NICKEL UNDER PLATED
 - 3μ MIN GOLD PLATING ON CONTACT AREA
 - 3μ MIN GOLD PLATING ON SOLDERING AREA
 - 2 SOLDER TAIL COPLANARITY: 0.08MM MAX.
 - 3 TERMINAL TIP MUST SINK INTO HOUSING
 - 4 PRODUCT COMPLIANT TO ROHS DIRECTIVE 2002/95/EC AND ELV DIRECTIVE 2000/53/EC
 - 5 DETECT SWITCH: INSERT CARD=ON (NORMAL=OPEN)
 - 6 SPRING RISE UP DURING PUSH-PUSH PERIOD
 - 7 PACKAGE DRAWING: PK-47553-001
 - 8 PRODUCT SPECIFICATION: PS-47553-201

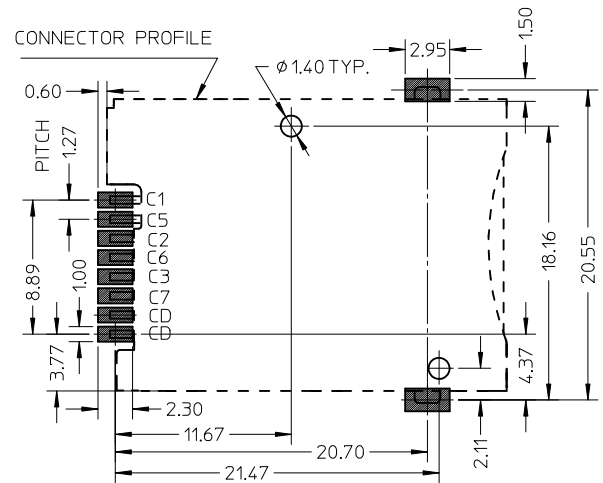
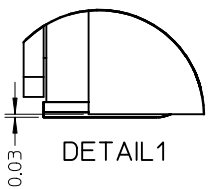
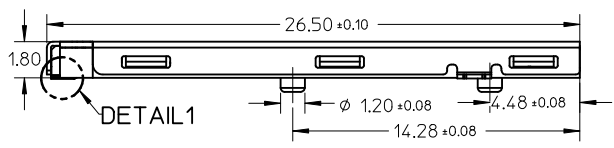
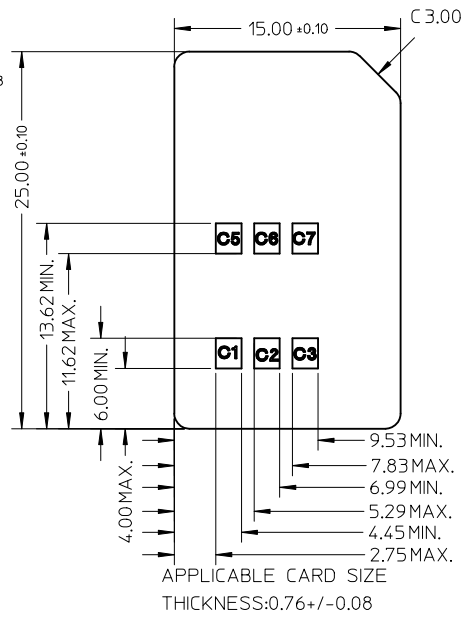


CARD INSERTED		WITHOUT CARD	
NO.	DESCRIPTION	Q'TY	MATERIAL
1	HOUSING	1	HIGH TEMPERATURE THERMOPLASTIC
2	TERMINAL	6	COPPER ALLOY
3	DETECT PIN LOWER	1	COPPER ALLOY
4	DETECT PIN UPPER	1	COPPER ALLOY
5	SHELL	1	STAINLESS STEEL
6	COIL SPRING	1	PIANO WIRE
7	HEART CAM	1	HIGH TEMPERATURE THERMOPLASTIC
8	CAM PIN	1	STAINLESS STEEL

NEW DIM TOL CTRL EC NO: DRW/KHL/IM CHKD: JTAN02 APPR: 2011/05/27	QUALITY SYMBOLS ▽=0 ◻=0	GENERAL TOLERANCES (UNLESS SPECIFIED)		DIMENSION STYLE MM ONLY		SCALE NTS	DESIGN UNITS METRIC	THIRD ANGLE PROJECTION	
		4 PLACES ± --- ± --- 3 PLACES ± --- ± --- 2 PLACES ± 0.15 ± --- 1 PLACE ± --- ± ---	mm INCH	DRAWN BY LHSNEN	DATE 2007/07/09	TITLE PUSH PUSH 6 PINS SIM WITH DETECT PIN&POST SALES DRAWING			
		ANGULAR ± --- °		CHECKED BY XUXIANG	DATE 2007/08/30	MOLEX INCORPORATED			
		DRAFT WHERE APPLICABLE MUST REMAIN WITHIN DIMENSIONS		APPROVED BY HWWANG	DATE 2007/08/30	MATERIAL NO. 475532001	DOCUMENT NO. SD-47553-201	SHEET NO. 1 OF 1	



- NOTES:
- 1 FINISH:
 - 1-1 TERMINAL :
 - 50~200μ NICKEL UNDER PLATED
 - 15μ GOLD PLATING ON CONTACT AREA
 - 3μ MIN GOLD FLASH ON SOLDERING AREA
 - 1-2 SHELL :
 - 50~200μ NICKEL UNDER PLATED
 - 3μ MIN GOLD FLASH ON SOLDERING AREA
 - 1-3 DETECT PIN :
 - 50~200μ NICKEL UNDER PLATED
 - 3μ MIN GOLD PLATING ON CONTACT AREA
 - 3μ MIN GOLD PLATING ON SOLDERING AREA
 - 2 SOLDER TAIL COPLANARITY: 0.08MM MAX.
 - 3 TERMINAL TIP MUST SINK INTO HOUSING
 - 4 PRODUCT COMPLIANT TO ROHS DIRECTIVE 2002/95/EC AND ELV DIRECTIVE 2000/53/EC
 - 5 DETECT SWITCH: INSERT CARD=ON (NORMAL=OPEN)
 - 6 SPRING RISE UP DURING PUSH-PUSH PERIOD
 - 7 PACKAGE DRAWING: PK-47553-001
 - 8 PRODUCT SPECIFICATION: PS-47553-201



RECOMMENDED PCB LAYOUT TOLERANCE +/-0.05MM

CARD INSERTED		WITHOUT CARD	
NO.	DESCRIPTION	Q'TY	MATERIAL
1	HOUSING	1	HIGH TEMPERATURE THERMOPLASTIC
2	TERMINAL	6	COPPER ALLOY
3	DETECT PIN LOWER	1	COPPER ALLOY
4	DETECT PIN UPPER	1	COPPER ALLOY
5	SHELL	1	STAINLESS STEEL
6	COIL SPRING	1	PIANO WIRE
7	HEART CAM	1	HIGH TEMPERATURE THERMOPLASTIC
8	CAM PIN	1	STAINLESS STEEL

NEW DIM TOL CTRL EC NO: DRW/KHL/IM CHKD: JIAN02 APPR: REV	2011/05/27	DESCRIPTION	QUALITY SYMBOLS
			▽=0 ∇=0

GENERAL TOLERANCES (UNLESS SPECIFIED)	
	mm INCH
4 PLACES	± --- ± ---
3 PLACES	± --- ± ---
2 PLACES	± 0.15 ± ---
1 PLACE	± --- ± ---
ANGULAR ± --- °	
DRAFT WHERE APPLICABLE MUST REMAIN WITHIN DIMENSIONS	

DIMENSION STYLE	
MM ONLY	
DRAWN BY	DATE
LHSHEN	2007/07/09
CHECKED BY	DATE
XUXIANG	2007/08/30
APPROVED BY	DATE
HWWANG	2007/08/30
MATERIAL NO.	
475532001	
SIZE	THIS DRAWING CONTAINS INFORMATION THAT IS PROPRIETARY TO MOLEX INCORPORATED AND SHOULD NOT BE USED WITHOUT WRITTEN PERMISSION
A3	

SCALE	DESIGN UNITS	THIRD ANGLE PROJECTION	
NTS	METRIC		
TITLE			
PUSH PUSH 6 PINS SIM WITH DETECT PIN&POST SALES DRAWING			
MOLEX MOLEX INCORPORATED		DOCUMENT NO.	
		SD-47553-201	
		SHEET NO.	
		1 OF 1	