

REVISION HISTORY		
01/27/10	1	INITIAL RELEASE
5/3/10	1.1	MOVE SPEAKER OUTPUT, ADD CAP, REWORK SUPERCAP
5/18/10	2	INCORPORATE REWORK INTO ARTWORK AND CHANGE ACCELEROMETERS, CHANGE PWR LED TO STATUS, DNL D5, ENLARGE MTG HOLES, REWORK BOARD AND BOARD DESIGN
04/01/11	3	MODIFICATIONS TO SUPPORT LPC1788 & TO MORE CLOSELY MATCH THE U10007

NOTE: ECO: 10-066 REV 3
SCHEMATIC DEFAULT IS LPC2478 FOR DNL PARTS

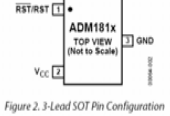
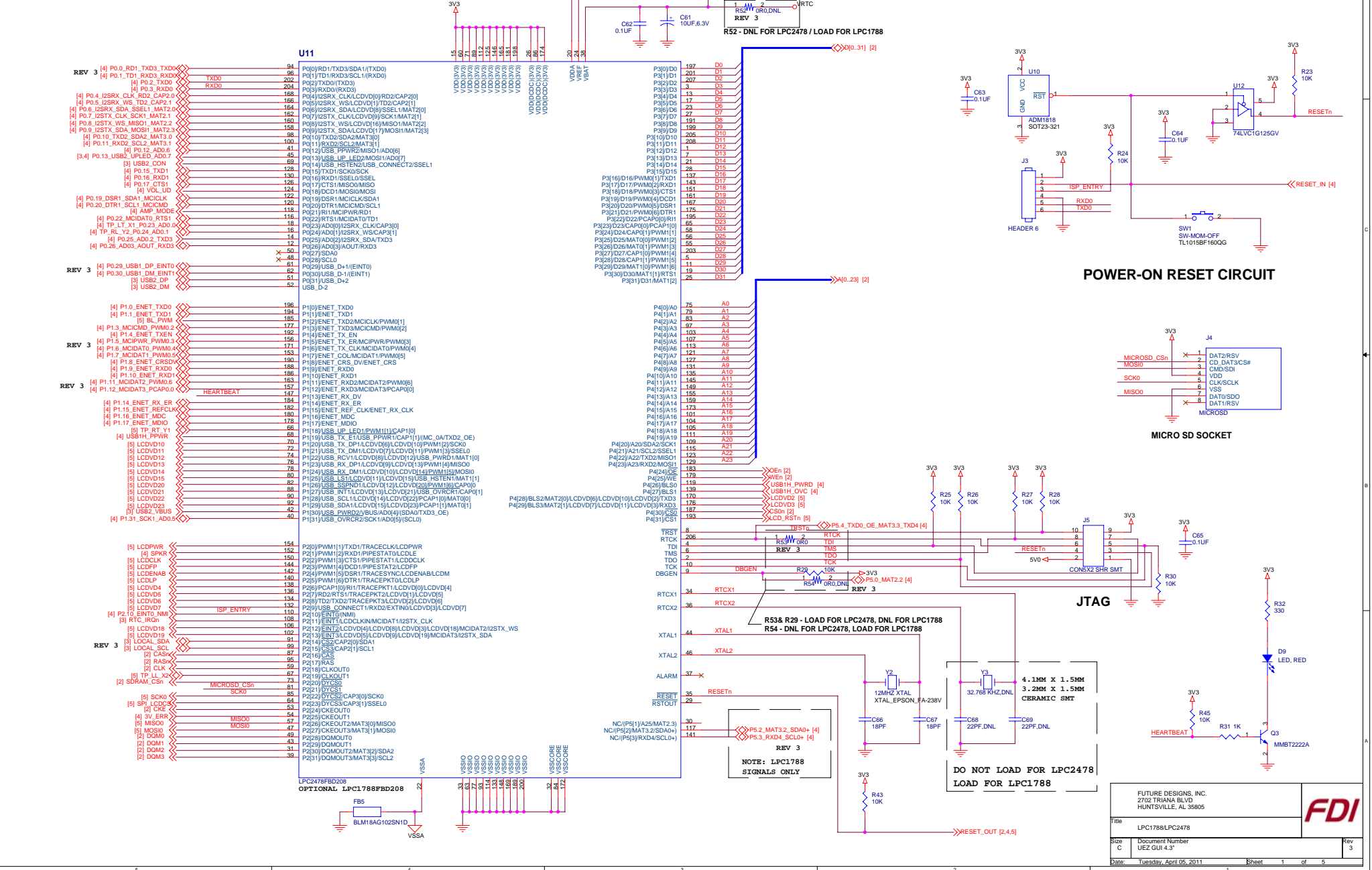


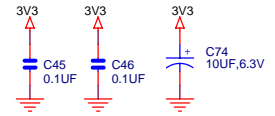
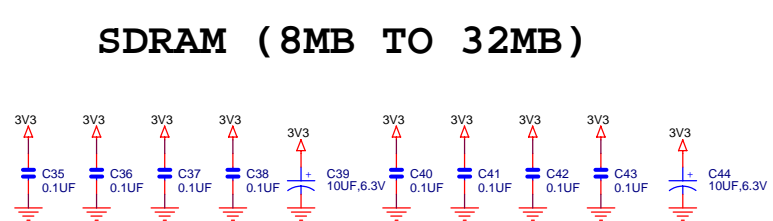
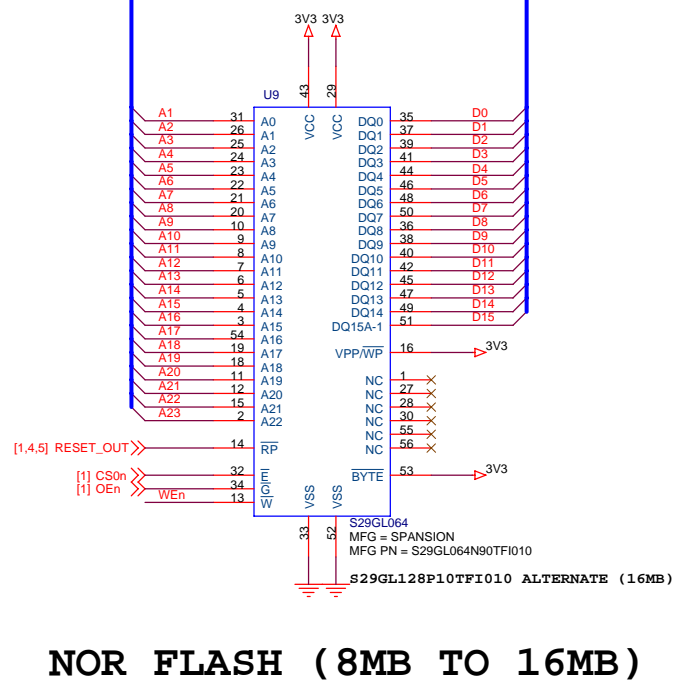
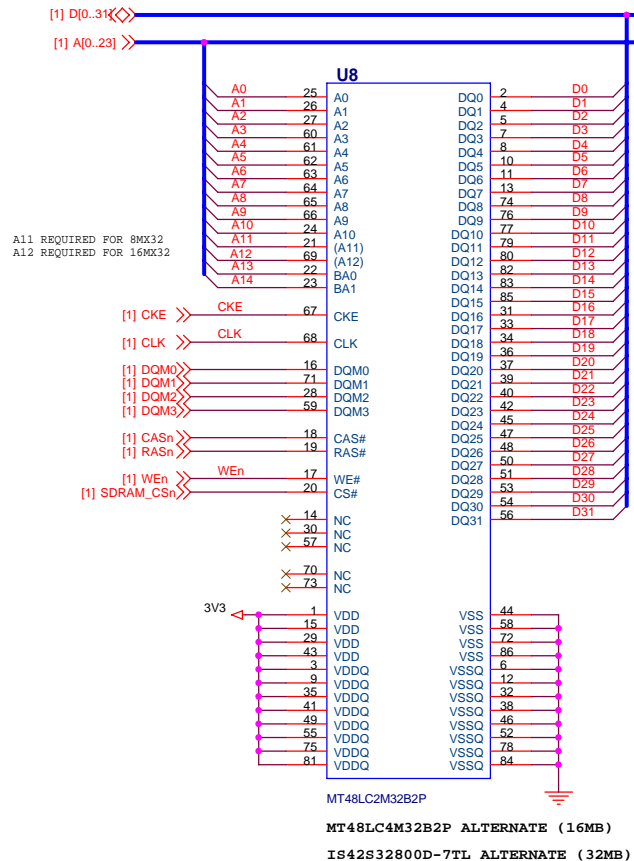
Figure 2.3-Lead SOT Pin Configuration

FUTURE DESIGNS, INC.
2702 TRIANA BLVD
HUNTSVILLE, AL 35805

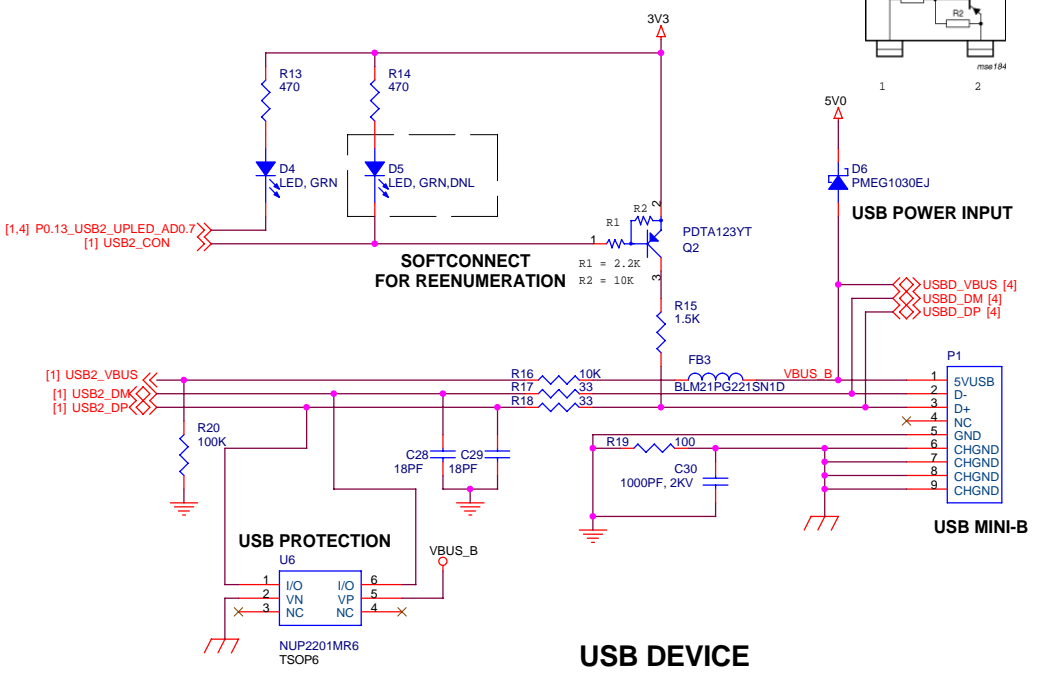
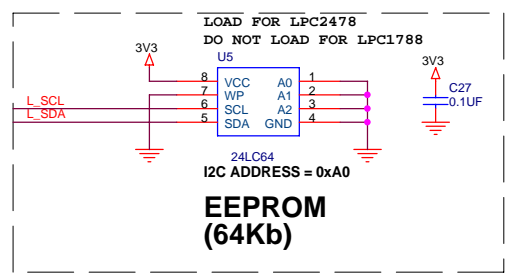
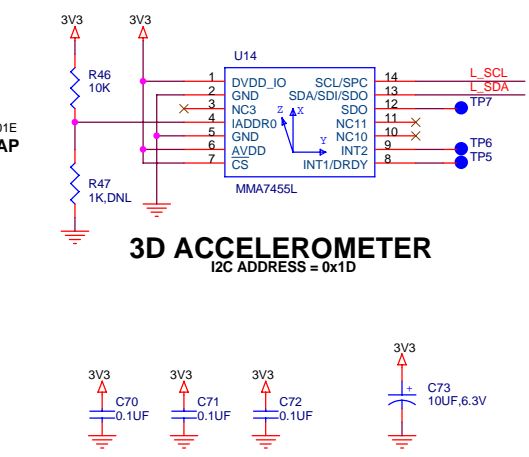
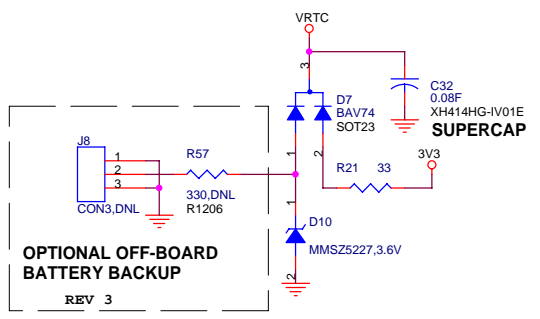
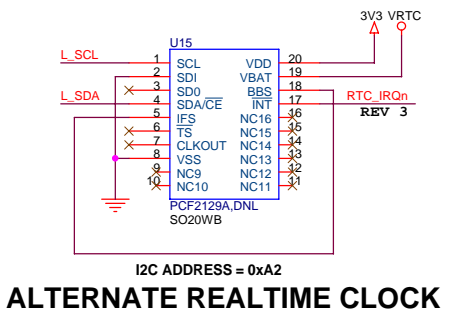
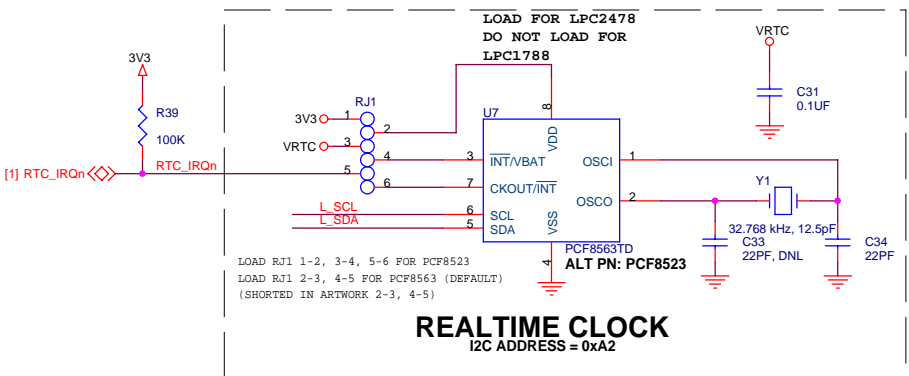
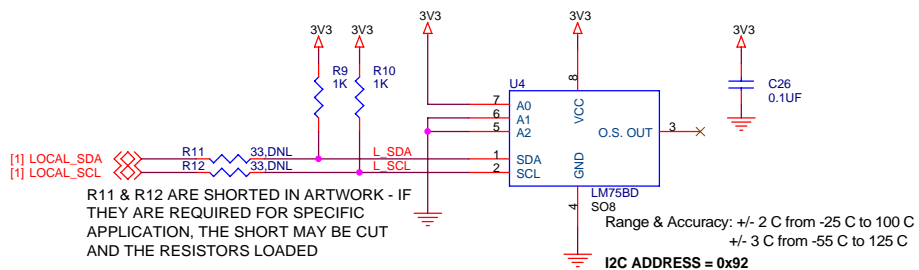
File: LPC1788LPC2478

Size C Document Number UEZ GUI 4.3

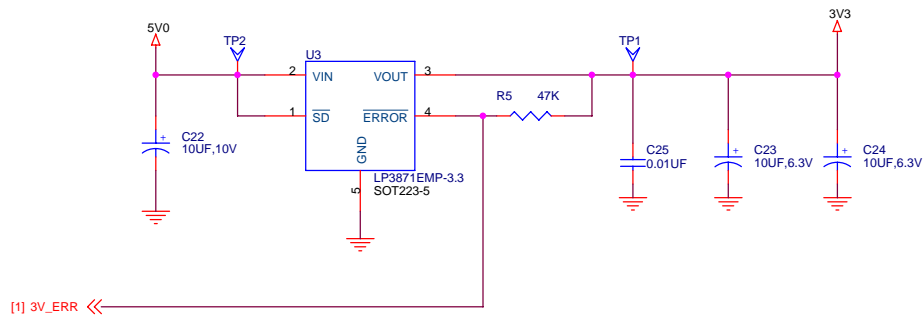
Date: Tuesday, April 05, 2011 Sheet 1 of 5



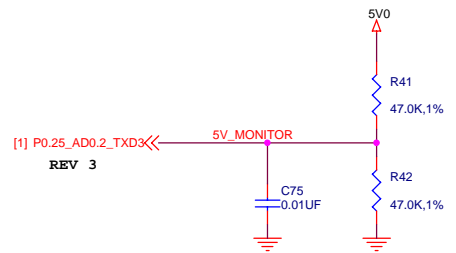
FUTURE DESIGNS, INC. 2702 TRIANA BLVD HUNTSVILLE, AL 35805			FDI
Title UEZ GUI 4.3"			
Size B	Document Number		Rev 3
Date:	Friday, April 01, 2011	Sheet	2 of 5



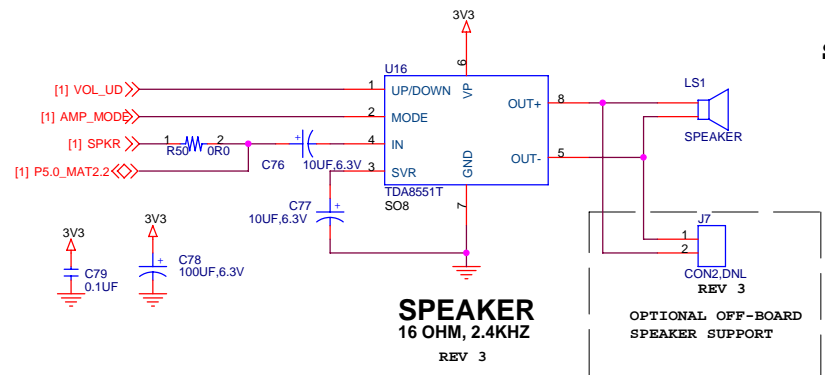
FUTURE DESIGNS, INC. 2702 TRIANA BLVD HUNTSVILLE, AL 35805		FDI
Title	UEZ GUI 4.3*	
Size	Document Number	Rev
B	<Doc>	3
Date:	Friday, April 01, 2011	Sheet 3 of 5



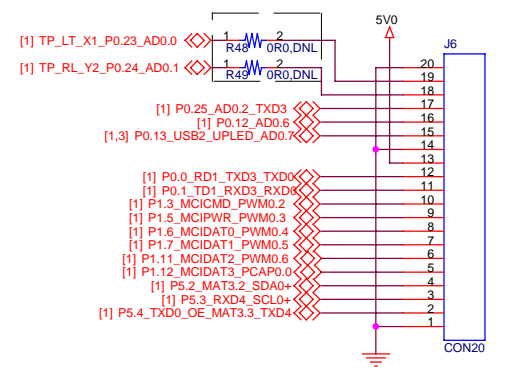
3.3V REGULATOR, 0.8A



5V INPUT MONITOR VIA ADC

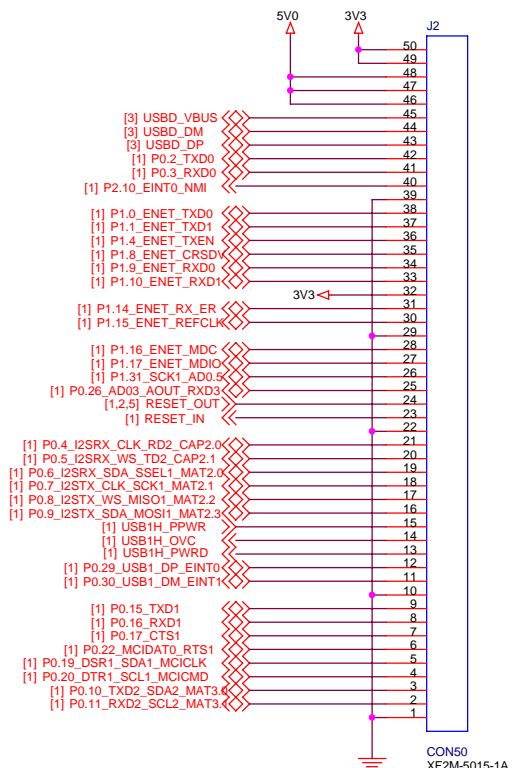


**SPEAKER
16 OHM, 2.4KHZ
REV 3**

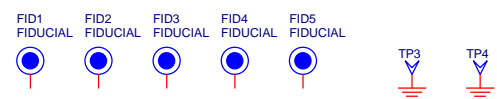


SECONDARY EXPANSION CONNECTOR

REV 3

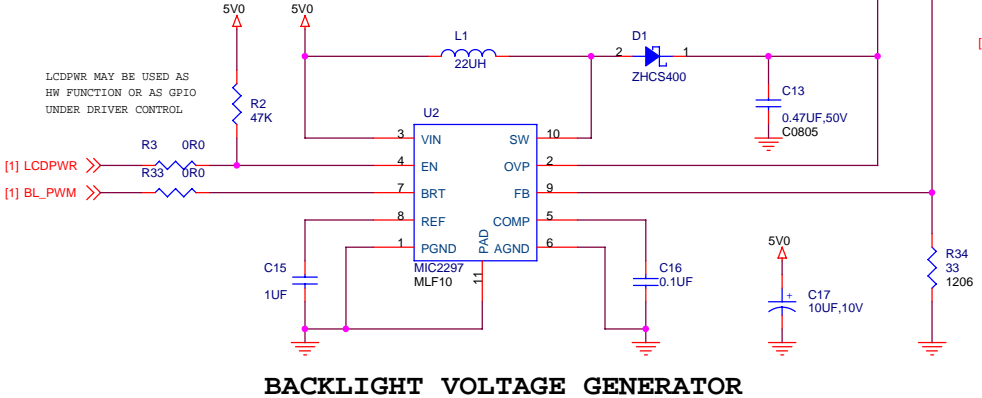
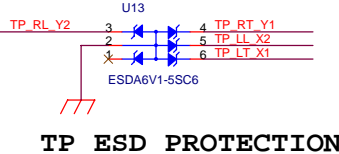


EXPANSION CONNECTOR

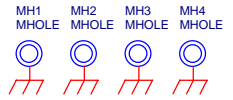
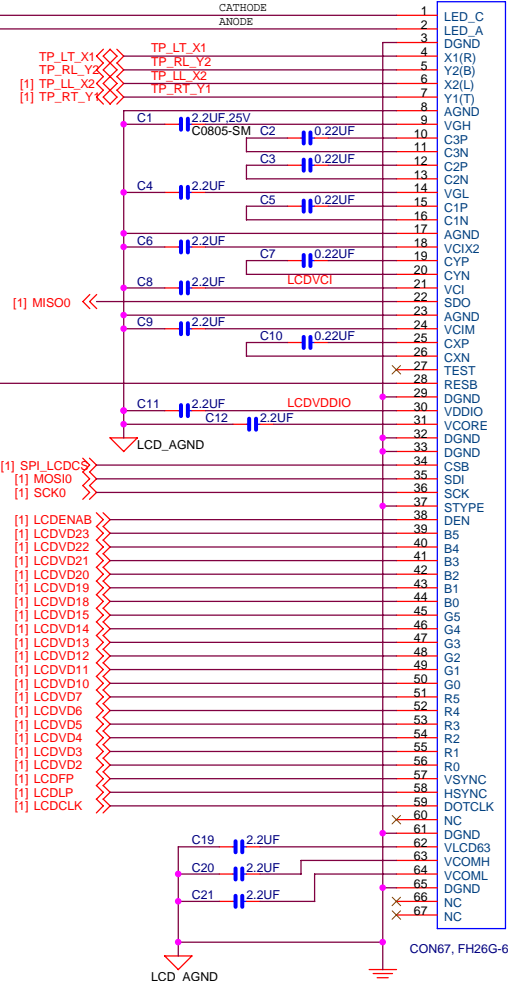
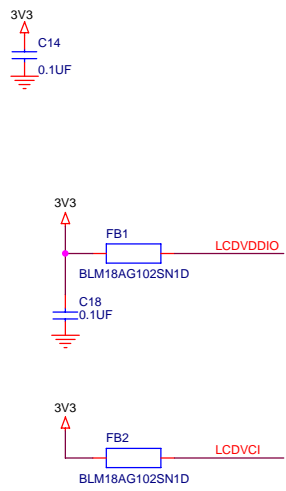
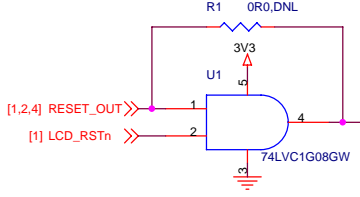


FUTURE DESIGNS, INC. 2702 TRIANA BLVD HUNTSVILLE, AL 35805		FDI
Title: VREG, IO CONN, & SPEAKER		
Size: B	Document Number: UEZ GUI 4.3*	Rev: 3
Date: Friday, April 01, 2011	Sheet: 4	of 5

SHARP LCD



SUPPORT FOR CPU RESET CONTROL OF LCD MODULE LOAD U1 AND DNL R1



NOTE: SHIELD LCD_AGND AND CONNECT TO GND AT A SINGLE POINT

FUTURE DESIGNS, INC. 2702 TRIANA BLVD HUNTSVILLE, AL 35805		FDI
Title	UEZ GUI 4.3"	
Size B	Document Number <Doc>	Rev 3
Date: Friday, April 01, 2011	Sheet 5 of 5	