

### FEATURES



- Compatible with WPC Qi Standard,
- Operating temperature -40°C to +85°C
- Assembled with thin and flexible sintered ferrite sheet
- Optimized Q for highest possible charging efficiency

### APPLICATIONS

- Mobile phones
- Hand-held electronic devices
- Battery pack or any devices that need contactless power

### ELECTRICAL PERFORMANCE

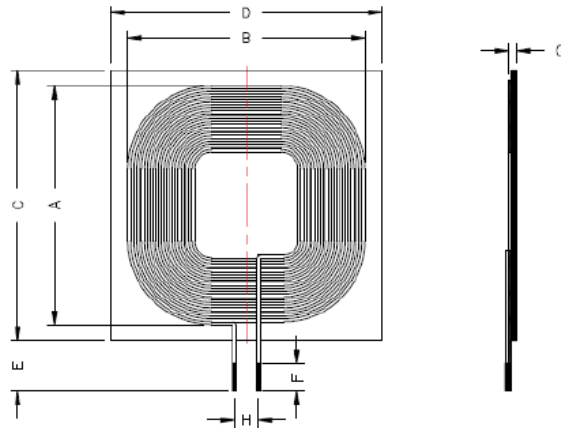
PART NUMBER	L (μH) @ 100KHz	Q @100KHz Min	DCR (mΩ) Max
SWC4242KB120-100	12.5 ± 10%	20	240

1. Inductance tested at 100KHz, 1V
2. Operating temperature range: -40°C ~ +85°C (Including self-heating)
3. Storage temperature range (packaging conditions): -10°C ~ +40°C and RH 70%(MAX)

### SHAPES AND DIMENSIONS

Unit:mm

PART NUMBER	A	B	C	D	G
SWC4242KB120-100	38.00±1.00	38.00±1.00	42 Max	42 Max	0.7 Max



### PART NUMBER SYSTEM EXAMPLE

<u>SWC</u>	<u>4242</u>	<u>KB</u>	<u>120</u>	-	<u>100</u>
Coil Type	Part Size Code	Height Code	Inductance Code		Catalog or Custom Information

USA: +1.423.308.1690  
Europe: +42.0.4885.7511.1  
Asia: +86.757.2563.8860

MCP-DS-WPC RX REV1.4 1114

Any information furnished by Laird Technologies, Inc. and its agents is believed to be accurate and reliable. All specifications are subject to change without notice. Responsibility for the use and application of Laird Technologies materials rests with the end user. Laird Technologies makes no warranties as to the fitness, merchantability, suitability or non-infringement of any Laird Technologies materials or products for any specific or general uses. Laird Technologies shall not be liable for incidental or consequential damages of any kind. All Laird Technologies products are sold pursuant to the Laird Technologies Terms and Conditions of sale in effect from time to time, a copy of which will be furnished upon request. © Copyright 2014 Laird Technologies, Inc. All Rights Reserved. Laird, Laird Technologies, the Laird Technologies Logo, and other marks are trademarks or registered trademarks of Laird Technologies, Inc. or an affiliate company thereof. Other product or service names may be the property of third parties. Nothing herein provides a license under any Laird Technologies or any third party intellectual property rights. Version A01