

TDK Corporation

Piezo & Protection Devices B. Grp.

3-9-1, Shibaura, Minato-ku, Tokyo,

108-0023, Japan

TEL. 03-6852-7300



NTCG

**NTC Chip Thermistor
Temperature Sensing Device**

PRODUCT:NTCG104EF104FT1SX

**This product is compliant with the
AEC-Q200 standard.**

PAGE NO.: 1 OF 1

Dimensions and construction

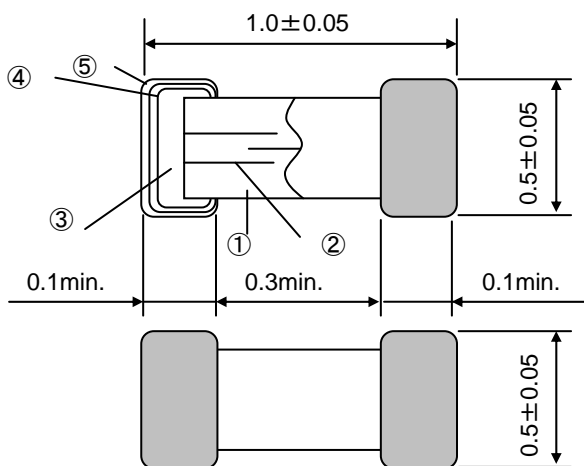


TABLE1. Parts List

	Part Name	Material
①	Element	Manganese, Nickel-oxide base Ceramics materials
②	Inner electrodes	Palladium
③	Terminal	Silver base
④	electrodes	Nickel-plating
⑤		Tin-plating

Operating temperature range

-40 ~ +150°C

TABLE 2. Electric Performance:

Item	Symbol	Specification
Nominal resistance and tolerance	R25	100kΩ ± 1%
B value and tolerance	B25/50	4250K ± 1%
Maximum rated power (condition: PCB)	P25	125 mW / 25°C in still air

TABLE 3. Resistance - Temperature Characteristics (condition: chip in silicone oil)

Temp (°C)	Min (kΩ)	Nom (kΩ)	Max (kΩ)	Temp (°C)	Min (kΩ)	Nom (kΩ)	Max (kΩ)	Temp (°C)	Min (kΩ)	Nom (kΩ)	Max (kΩ)
-40.0	4054	4251	4458	25.0	99.00	100.0	101.0	90.0	7.235	7.500	7.774
-35.0	2875	3005	3140	30.0	78.26	79.23	80.21	95.0	6.122	6.357	6.600
-30.0	2063	2149	2238	35.0	62.26	63.18	64.10	100.0	5.202	5.410	5.626
-25.0	1497	1554	1613	40.0	49.84	50.68	51.54	105.0	4.438	4.623	4.815
-20.0	1097	1135	1175	45.0	40.13	40.90	41.68	110.0	3.801	3.966	4.137
-15.0	812.0	837.8	864.3	50.0	32.50	33.19	33.90	115.0	3.269	3.415	3.568
-10.0	606.6	624.1	642.0	55.0	26.47	27.09	27.72	120.0	2.821	2.952	3.088
-5.0	457.3	469.1	481.2	60.0	21.67	22.22	22.78	125.0	2.444	2.561	2.683
0.0	347.6	355.6	363.8	65.0	17.84	18.32	18.82	130.0	2.124	2.229	2.339
5.0	266.4	271.8	277.3	70.0	14.75	15.18	15.63	135.0	1.853	1.947	2.046
10.0	205.8	209.4	213.1	75.0	12.26	12.64	13.04	140.0	1.622	1.707	1.795
15.0	160.1	162.5	164.9	80.0	10.24	10.58	10.92	145.0	1.425	1.501	1.581
20.0	125.5	127.0	128.6	85.0	8.587	8.887	9.195	150.0	1.255	1.324	1.397