



Features >>>

- Full Gigabit Ethernet ports
- Nonblocking architecture, line rate for all packet sizes
- Fully integrated packet buffer
- DIP switch alarm setting for Port's break
- Power loss alarm
- Supports 9216 Byte jumbo frames
- Supports Auto Negotiation and Auto MDI/MDI-X
- Supports Dual +12 ~ 48 VDC power input and 1 relay output
- Supports operating temperatures from -40 ~ +75 °C
- DIN-Rail Mounting, Wall Mounting (optional)

Introduction

The NSM-316G has 16 Ethernet ports that support 10/100/1000 Base-TX, with a 10/100/1000M auto negotiation feature and auto MDI/MDI-X function. It can connect 16 workstations and automatically switches the transmission speed (10 Mbps or 100 or 1000 Mbps) for corresponding connections.

All Ethernet ports have memory buffers that support the store-and-forward mechanism, which assures that data can be transmitted properly. The NSM-316G supports advanced network standards to optimize network performance, reduce maintenance costs, and secure network safety.

The flow control mechanism is also negotiated. There is link/Act LEDs for each port to aid troubleshooting. Port connectors are shielded RJ-45. DIP switch setting alarm for for each port loss link or break.

Specifications

Technology	
Standards	IEEE802.3, 802.3u, 802.3x, 802.3az
Processing Type	Store & forward, wire speed switching
MAC Addresses	8K
Packet Buffer Memory	512 KByte
Jumbo Frame	9216 Byte
Flow Control	IEEE 802.3x flow control, back pressure flow control
Interface	
RJ-45 Ports	10/100/1000 Base-TX auto negotiation speed, F/H duplex mode, and auto MDI/MDI-X connection
LED Indicators	PWR1, PWR2, Power fail, Link, Act
Ethernet Isolation	1500 V _{rms} 1 minute
Power	
Reverse Polarity Protection	Yes
Input Range	+12 ~ +48 Vdc
Redundant Power Inputs	Yes
Consumption	0.16A @ 48VDC Idle without loading; 0.2A @ 48VDC with full loading (0.12 W per ports) 0.31A @ 24VDC idle without loading; 0.39A @ 24VDC with full loading (0.12 W per ports)
Alarm Contact	Yes, Relay 1 A @ 30 Vdc

Mechanical	
Casing	Metal (IP30 Protection)
Dimensions (W x L x H)	DIN-rail mounting: 51 mm x 164 mm x 128 mm Wall mounting: 51 mm x 202 mm x 120 mm
Installation	DIN-rail mounting or wall mounting (optional)
Environmental	
Operating Temperature	-40 °C ~ +75 °C
Storage Temperature	-40 °C ~ +85 °C
Ambient Relative Humidity	10 ~ 90% RH, non-condensing

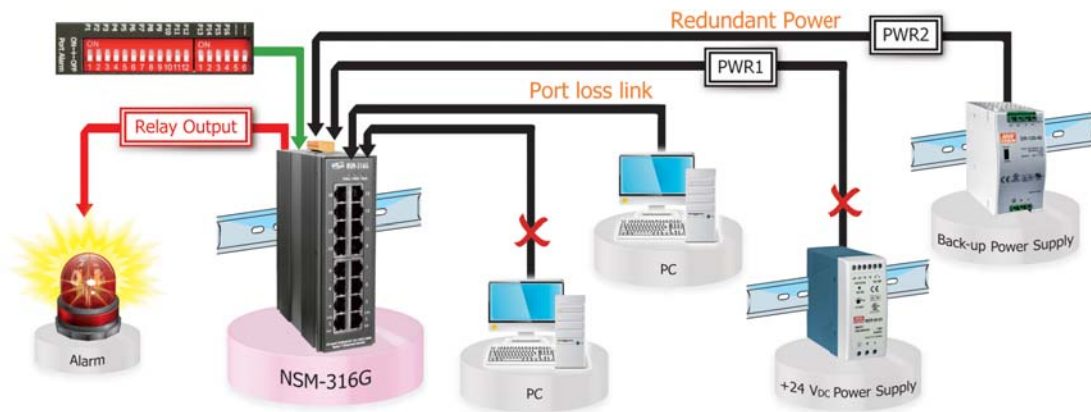
Redundant Power Input & Port Alarm Setting

Both power inputs can be connected simultaneously to live DC power sources.

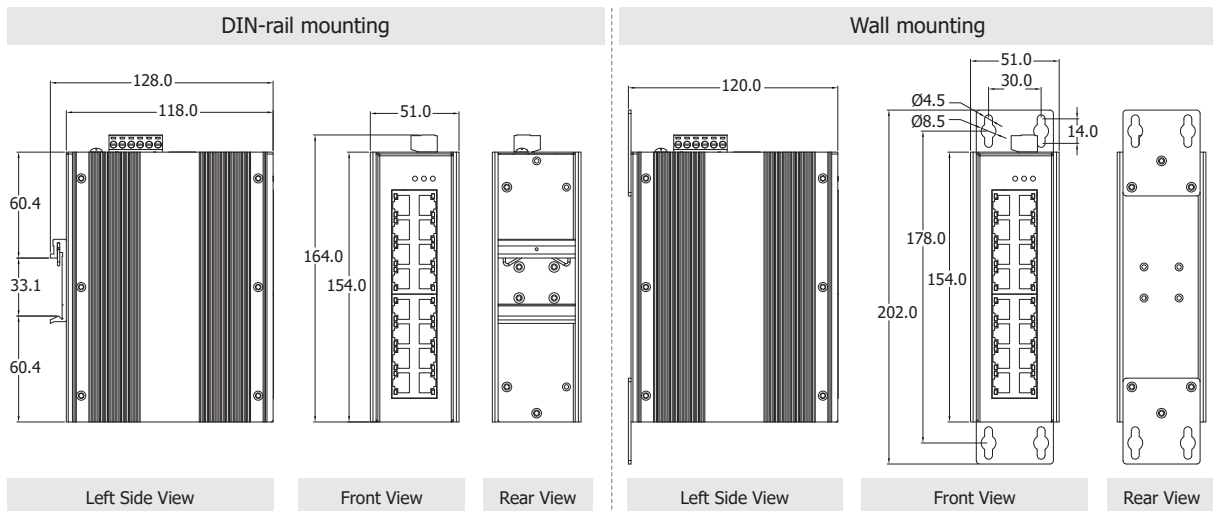
If one power source fails, the other live source will act as a backup, and automatically supplies all of NSM-316G series power needs.

If the port's DIP switch have been set, when it loss link or break connection, it will output alarm from the relay.

DIP Switch	Setting	Description
Port Alarm Function (P1 to P16)	ON	Enables the PORT Alarm. When the port's loss link, the relay will forced an close circuit, and the fault LED will light up.
	OFF	Disable the PORT Alarm. When the port's loss link, there will no action from the relay, and it remain in open circuit, nd the fault LED will not light up.



Dimensions (Units: mm)



Ordering Information

NSM-316G CR	16-port GBE Ethernet Unmanaged Switch (RoHS)
-------------	----------------------------------------------

Accessories

ASO-0023 CR	Wall Mount Kit (W:44mm) (RoHS)	
CA-090510 CR	DB9 Female to RJ-45 Cable, 1M (RoHS)	