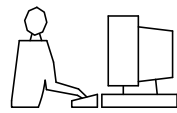


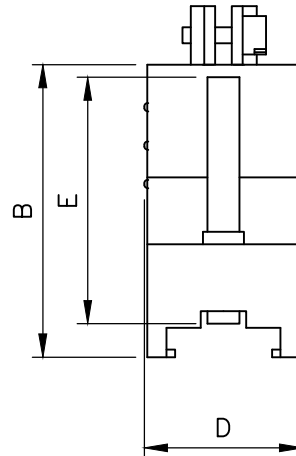
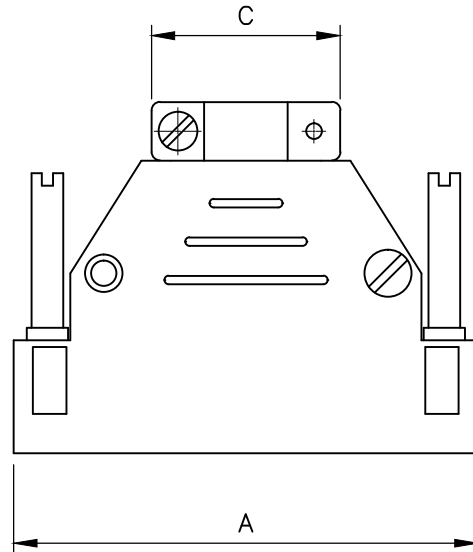
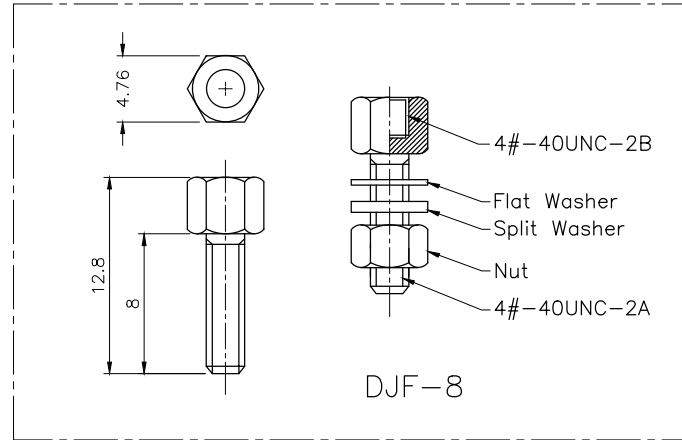
THIS IS A C.A.D. GENERATED DRAWING
DO NOT MAKE MANUAL REVISIONS TO MASTER.



* UNLESS OTHERWISE SPECIFIED TOLERANCES
ON DECIMAL IS:
UNIT: MM

BACKSHELL KIT INCLUDES:

- (2)BACKSHELL HALVES
- (2)CLAMPS
- (2)CLAMP SCREWS
- (2)SHELL SCREWS
- (2)JACKSCREWS
- (1)DJF-8



DIMENSIONS(mm)					
SIZE	A±1.0	B±0.8	C±0.6	D±1.0	E±0.5
09	31.4	24.0	16.1	18.2	25.7
15	42.0	30.0	21.1	18.2	25.7
25	55.5	36.0	24.0	18.2	25.7
37	69.8	38.0	30.7	18.2	25.7

Ordering information: Female Jackscrews

SIZE	P/N-Kitted	Product Code
9-WAY Female JS	2801-0102-11-8	MHED-D09TF-K
15-WAY Female JS	2801-0102-12-8	MHED-D15TF-K
25-WAY Female JS	2801-0102-13-8	MHED-D25TF-K
37-WAY Female JS	2801-0102-14-8	MHED-D37TF-K

BACKSHELL MATERIAL: ABS
SCREWS: STEEL, ZINC PLATED

THESE DRAWINGS AND SPECIFICATIONS ARE THE PROPERTY OF MH CONNECTORS LTD. AND SHALL NOT BE REPRODUCED, COPIED OR USED AS THE BASIS FOR THE MANUFACTURE OR SALE OF APPARATUS WITHOUT WRITTEN PERMISSION.

DRAWN HALEY	DATE 07-30-14
----------------	------------------

APPROVED	DATE
----------	------



THIS SERIES FULLY CONFORMS TO THE EUROPEAN UNION DIRECTIVES 2002/95/EC AND 2002/96/EC FOR RoHS COMPLIANCY.



MH CONNECTORS LTD.

SCALE NTS	SHEET OF 1 OF 1	REV: 3.0
--------------	--------------------	-------------

DRAWING No MHED-DXXTF-K
