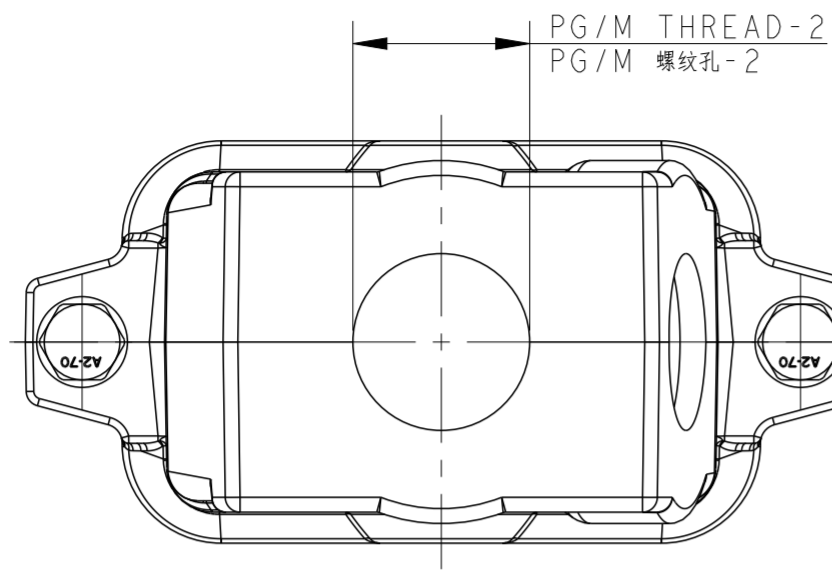


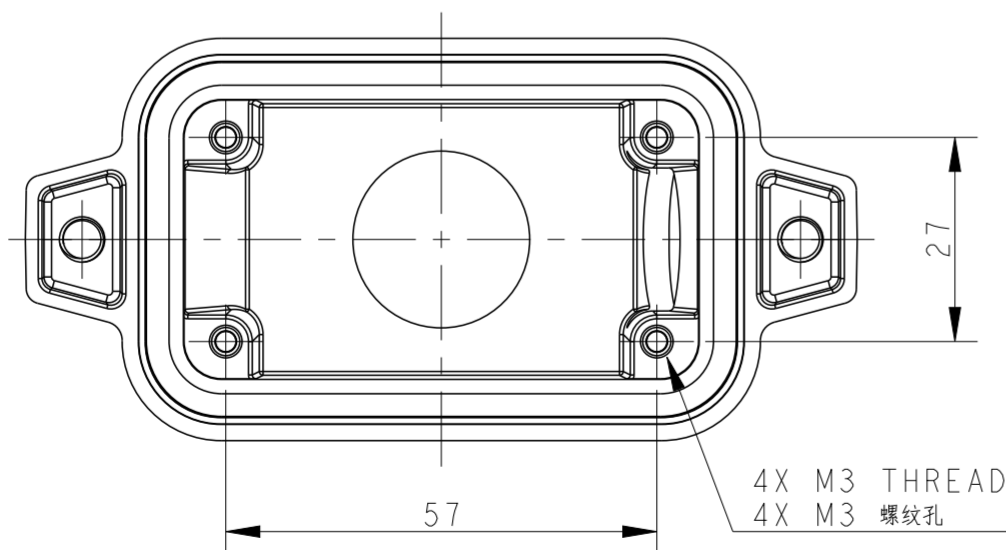
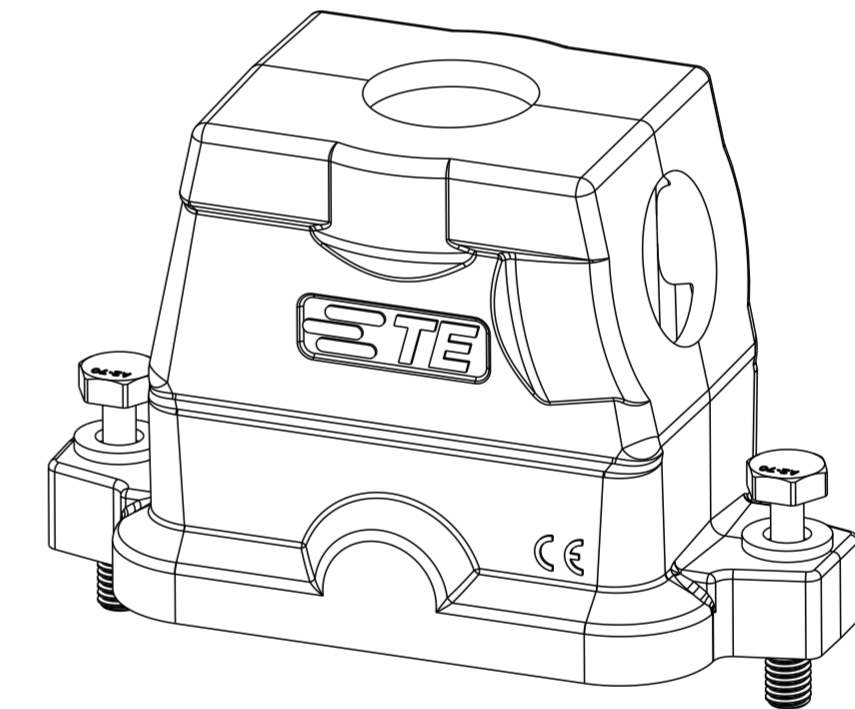
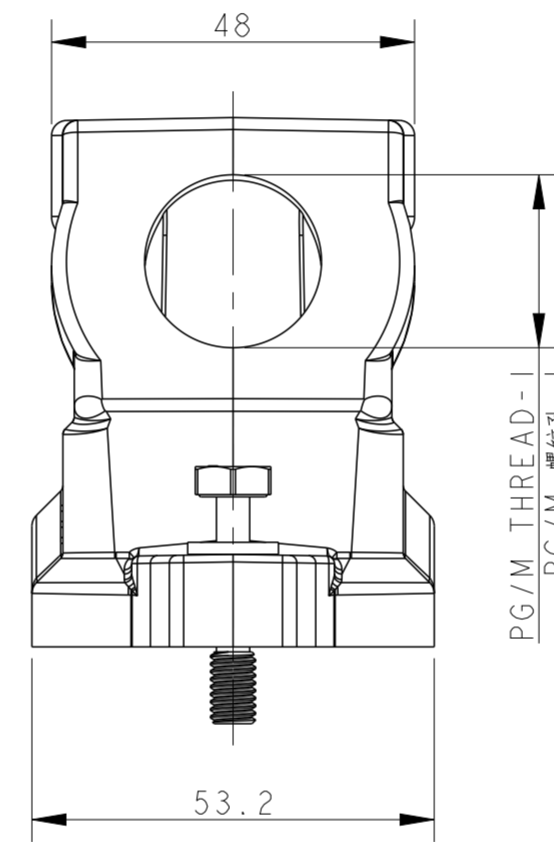
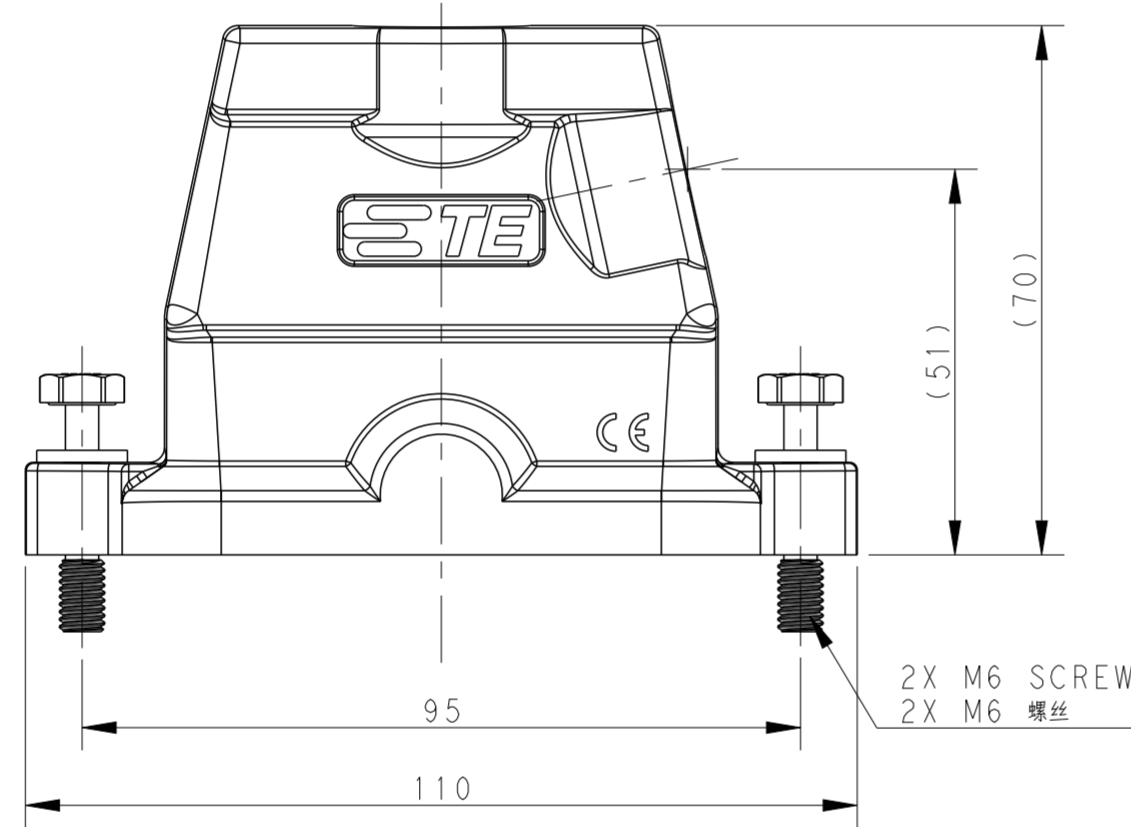
THIS DRAWING IS UNPUBLISHED. RELEASED FOR PUBLICATION 20
 © COPYRIGHT 20 BY - ALL RIGHTS RESERVED.

REVISIONS					
P	LTR	DESCRIPTION	DATE	DWN	APVD
A		INITIAL RELEASE	14OCT2016	DW	CW
B		ECR-20-016312	03JUN2021	BS	CW
B1		ECR-22-138033	09MAY2022	AC	CW



NOTES:
 1. TECHNICAL CHARACTERISTICS:
 HOOD MATERIAL: DIE CAST ALUMINIUM ALLOY
 SURFACE: SEE TABLE
 DEGREE OF PROTECTION: IP68 (MATED)

注释
 1. 技术参数:
 壳体材料: 铝合金
 表面处理: 见表格
 防护等级: IP68 (配合)




THIS DRAWING IS A CONTROLLED DOCUMENT.		DWN 14OCT2016 DAVID WANG	STE TE Connectivity		
DIMENSIONS: mm		CHK 14OCT2016 CHRIS WANG			
TOLERANCES UNLESS OTHERWISE SPECIFIED:		APVD 14OCT2016 XIANG XU	PRODUCT SPEC 108-137191		
0 PLC ±		1 PLC ±	APPLICATION SPEC 114-137191		
2 PLC ±		3 PLC ±	WEIGHT -		
3 PLC ±		4 PLC ±	SIZE A2	CAGE CODE -	DRAWING NO. C-T190210XXXX009
4 PLC ±		ANGLES ±	RESTRICTED TO -		
FINISH -		FINISH -	SCALE 1:1 SHEET 1 OF 2 REV B1		
MATERIAL -		FINISH -	Customer Drawing		

THIS DRAWING IS UNPUBLISHED. RELEASED FOR PUBLICATION 20
 © COPYRIGHT 20 BY - ALL RIGHTS RESERVED.

REVISIONS				
P	LTR	DESCRIPTION	DATE	APVD
-		SEE SHEET 1	-	-

NOTES:
SEE SHEET 1

T1902102232-009	H10BPR-TS/GHC-2M32-EMC-C	H10BPR HOOD,CENTER LOCKING, SIDE/TOP ENTRY 2M32, POWDER COATED, GREY H10BPR中部锁定侧顶出上壳2M32 灰色	M32	M32
T1902102229-009	H10BPR-TS/GHC-2PG29-EMC-C	H10BPR HOOD,CENTER LOCKING, SIDE/TOP ENTRY 2PG29, POWDER COATED, GREY H10BPR中部锁定侧顶出上壳2PG29 灰色	PG29	PG29
T1902102225-009	H10BPR-TS/GHC-2M25-EMC-C	H10BPR HOOD,CENTER LOCKING, SIDE/TOP ENTRY 2M25, POWDER COATED, GREY H10BPR中部锁定侧顶出上壳2M25 灰色	M25	M25
T1902101232-009	H10BPR-TS/GHC-2M32-EMC-C	H10BPR HOOD,CENTER LOCKING, SIDE/TOP ENTRY 2M32, POWDER COATED, SILVER WHITE H10BPR中部锁定侧顶出上壳2M32 银白色	M32	M32
T1902101229-009	H10BPR-TS/GHC-2PG29-EMC-C	H10BPR HOOD,CENTER LOCKING, SIDE/TOP ENTRY 2PG29, POWDER COATED, SILVER WHITE H10BPR中部锁定侧顶出上壳2PG29 银白色	PG29	PG29
T1902101225-009	H10BPR-TS/GHC-2M25-EMC-C	H10BPR HOOD,CENTER LOCKING, SIDE/TOP ENTRY 2M25, POWDER COATED, SILVER WHITE H10BPR中部锁定侧顶出上壳2M25 银白色	M25	M25
T1902100232-009	H10BPR-TS/GHC-2M32-EMC-C	H10BPR HOOD,CENTER LOCKING, SIDE/TOP ENTRY 2M32, POWDER COATED, BLACK H10BPR中部锁定侧顶出上壳2M32 黑色	M32	M32
T1902100229-009	H10BPR-TS/GHC-2PG29-EMC-C	H10BPR HOOD,CENTER LOCKING, SIDE/TOP ENTRY 2PG29, POWDER COATED, BLACK H10BPR中部锁定侧顶出上壳2PG29 黑色	PG29	PG29
T1902100225-009	H10BPR-TS/GHC-2M25-EMC-C	H10BPR HOOD,CENTER LOCKING, SIDE/TOP ENTRY 2M25, POWDER COATED, BLACK H10BPR中部锁定侧顶出上壳2M25 黑色	M25	M25
PART NUMBER 料号		DESCRIPTION 描述	PG/M THREAD-2 PG/M 螺纹-2	PG/M THREAD-1 PG/M 螺纹-1

THIS DRAWING IS A CONTROLLED DOCUMENT.		DWN DAVID WANG 14OCT2016	 TE Connectivity	
		CHK CHRIS WANG 14OCT2016		
DIMENSIONS: mm		APVD XIANG XU 14OCT2016	NAME H10BPR-TS/GHC-PG/M-EMC-C	
TOLERANCES UNLESS OTHERWISE SPECIFIED:		PRODUCT SPEC 108-137191	RESTRICTED TO	
0 PLC ±-		APPLICATION SPEC 114-137191	SIZE A2	CAGE CODE -
1 PLC ±-		WEIGHT -	DRAWING NO. C-T190210XXXX009	
2 PLC ±-		Customer Drawing	SCALE 1:1	SHEET 2 OF 2
3 PLC ±-			REV B1	
4 PLC ±-				
ANGLES ±-				
FINISH -				
-				