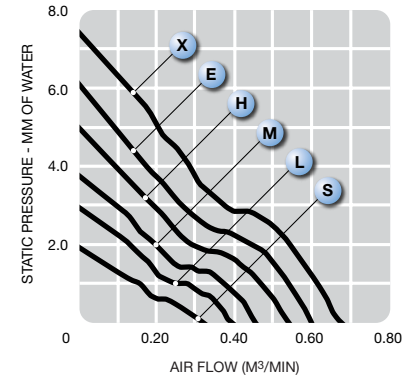
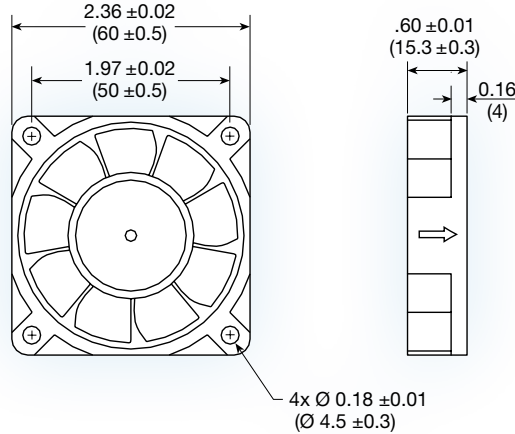


## G6015-G series

**(60 x 60 x 15 mm)**

2.36 x 2.36 x 0.60 inches

**Features:** high static pressure impeller design

Construction: UL94V-0 PBT impeller &amp; frame

Bearing option: ball bearing

Connection: AWG 26, UL1007 lead wires

Frame: ribbed

Protection: thermal

Options: tachometer output or locked rotor alarm signal; encapsulated motor; PWM speed control

Model No.	Rated Voltage V	Current mA			Speed RPM	Air Volume		Max. Static Pressure (H <sub>2</sub> O)		Sound Noise dBa	Weight g
		5	12	24		M <sup>3</sup> /Min.	CFM	MM	INCH		
<b>G6015S-G</b>	5/12	90	70	-	2,800	0.32	11.0	1.94	0.08	21	26
<b>G6015L-G</b>	5/12/24	130	90	65	3,400	0.39	14.0	2.96	0.12	25	26
<b>G6015M-G</b>	5/12/24	220	110	75	4,000	0.46	16.0	3.78	0.15	28	26
<b>G6015H-G</b>	5/12/24	280	130	95	4,600	0.54	19.0	5.00	0.20	30	26
<b>G6015E-G</b>	5/12/24	350	180	110	5,200	0.60	21.0	6.12	0.24	32	26
<b>G6015X-G</b>	12/24	-	230	130	5,800	0.68	24.0	7.45	0.29	35	26

