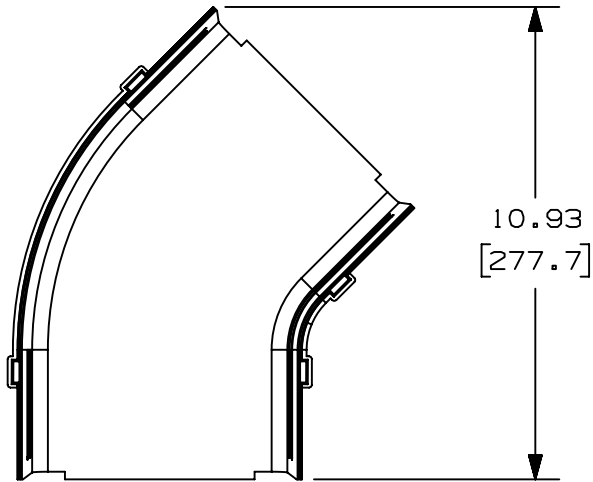


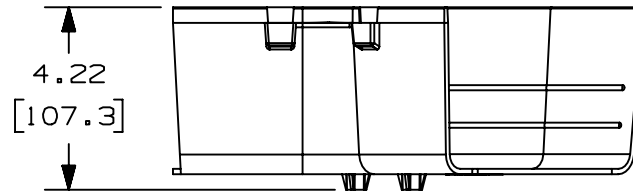
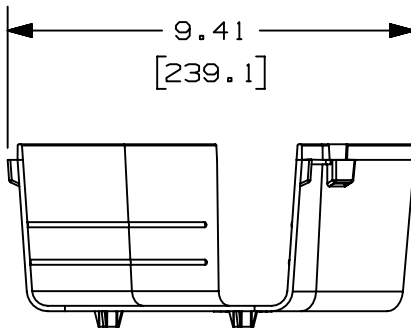
THIS COPY IS PROVIDED ON A RESTRICTED BASIS AND IS NOT TO BE USED IN ANY WAY DETRIMENTAL TO THE INTERESTS OF PANDUIT CORP.

**NOTES:**

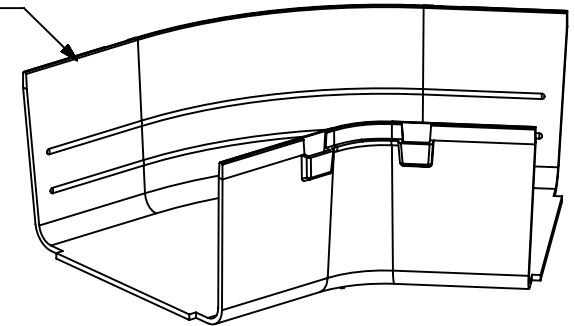
1. SEE CURRENT CATALOG FOR ADDITIONAL PART SUFFIXES TO INDICATE COLOR AND/OR PACKAGE QUANTITY.
2. THE FIBERRUNNER 6x4 HORIZONTAL 45° ANGLE FITTING IS DESIGNED WITH A MINIMUM 2" (50.8) BEND RADIUS TO PROTECT FIBER OPTIC CABLES.
3. DIMENSIONS IN PARENTHESES ARE IN METRIC.
4. PARTS SUPPLIED:  
(1)- 45° HORIZONTAL ANGLE



PANDUIT PART NUMBER	WEIGHT	MATERIAL
FRH456X4**	0.69 LB/EACH (314g/EACH)	ABS
FRH456X4L**	0.69 LB/EACH (314g/EACH)	PC/ABS



45° HORIZONTAL ANGLE



**TITLE**  
**FIBERRUNNER 6x4 HORIZONTAL 45° ANGLE FITTING**  
**(FRH456X4\*\*, FRH456X4L\*\*)**

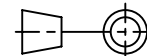
**ITEM REVISION NAME**  
**D37686BF/03**

**DATASET FILE NAME**  
**D37686BF\_DC/03B**



**MATERIAL:**  
**SEE PART NUMBER**  
**TABLE ABOVE**

**DRAWING NUMBER:**  
**37686-05**



**THIRD ANGLE**  
**PROJECTION**

REV	DATE	BY	CHK	APR	DESCRIPTION	ECN
03B	8/21/20	MEX-JAGC	DWR	DWR	ADDED PART NUMBER	V09002DZ/11

<b>DRAWN BY</b> JHNU	<b>DATE</b> 8-18-00	<b>CHK</b> HIW	<b>SCALE</b> NONE	<b>SHT 1 OF 1</b>	<b>SIZE</b> A
-------------------------	------------------------	-------------------	----------------------	-------------------	------------------

D10.100DA/20