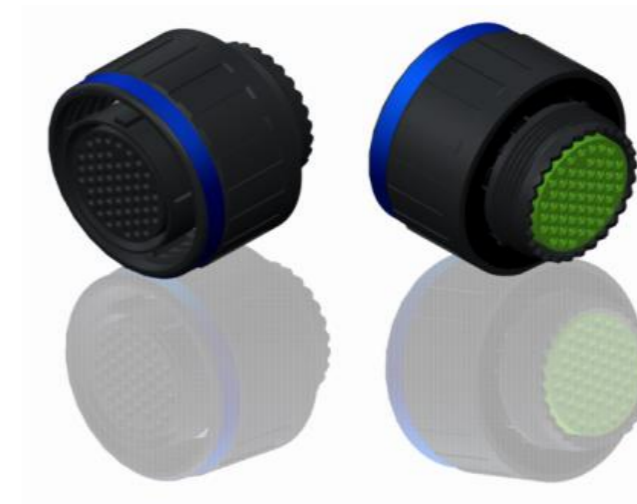
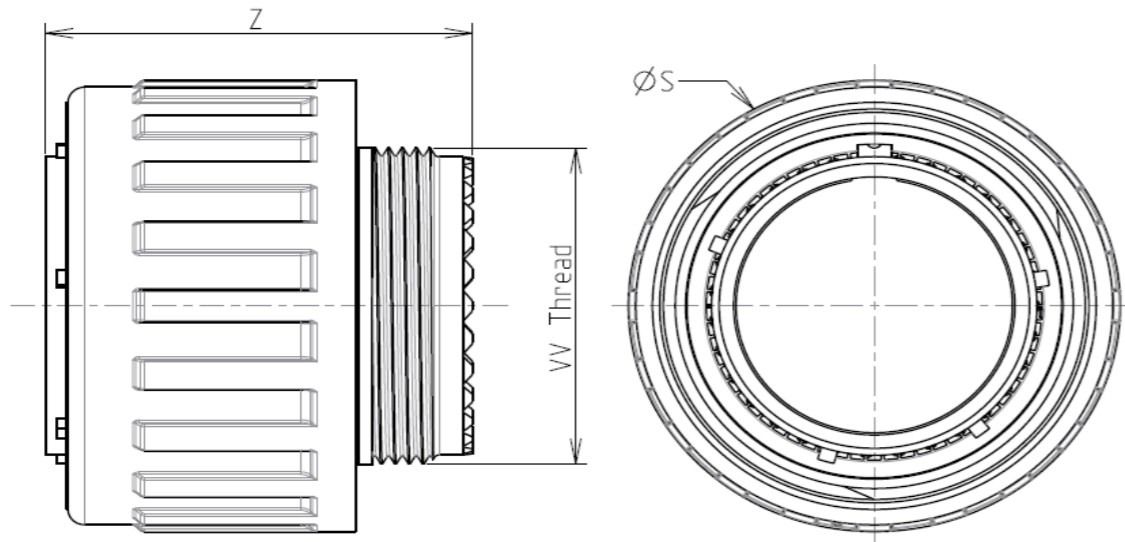


H G F E D C B A



LAYOUT SHOWN AS EXAMPLE

Keying Shown as example

CHARACTERISTICS

- Standard : Based on MIL-DTL-38999 Series III
- Shell Material : Composite
- Shell Plating : Without Plating
- Insulator : Thermoplastic
- Contacts : Copper Alloy
- Seals & Grommet : Silicon Elastomer
- Contact Plating : Gold over copper Alloy 0.8µm minimum
- Durability : 500 Mating cycles
- Delivered with Souriau contacts and Accessories
- Temperature Range : -65°C to +175°C
- Salt Spray : 2000 hours
- Mass : 21.8 g ± 10%

| Connector dimension | |
|---------------------|----------|
| Dim | Nominal |
| ØS | 29.4 Max |
| Z | 31 Max |
| VV THREAD | M18x1-6g |

SOURIAU shall not be liable for any non-conformity or damage due to a use of the Products which does not comply with the Specifications issued by either of the Parties or by a third party (professional recommendation, technical notice.)

| Country | Jurisdiction & Control List |
|---------|-----------------------------|
| FR | Not Listed |

PN: 8D513X98SA

| | | | |
|---|------------------------------------|--------------------------------|-------------------------------|
| A | 19-10-2016 | First Release | |
| ISS | DATE | Latest modification - by | MOD N° |
| Designed By: | | Date: | CUSTOMER DRAWING |
| TITLE | | Composite Plug 8D series | |
| SCALE | NA | General linear Tolerances: ±-- | NPRDS / PROJECT 859 |
| SOURIAU | | WWW.SOURIAU.COM | |
| This document is the property of SOURIAU it must not be reproduced or communicated without permission | | | |
| FORMAT | SOURIAU DRG N° 8D513X98SA-C | | SHEET 1/2 |

| | | | | | | | | |
|----------------|-------------------------|---|---|----|---|----|---|------------------------------------|
| BASIC SERIES: | 8D | 5 | - | 13 | X | 98 | S | A |
| SHELL TYPE : | Plug with RFI Shielding | | | | | | | |
| CONTACT TYPE : | Standard Crimp Contact | | | | | | | |
| SHELL SIZE : | 13 | | | | | | | |
| PLATING : | X = Without Plating | | | | | | | |
| | | | | | | | | ORIENTATION : A |
| | | | | | | | | CONTACT TYPE : SOCKET(500 Matings) |
| | | | | | | | | CONTACT LAYOUT : 13-58 |

4
3

2

1

4
3

2

1

H G F E D C B A

Contact Layout



| Contact position ID | Location | |
|---------------------|-------------|-------------|
| | X-axis (mm) | Y-axis (mm) |
| A | +000 (0.00) | +195 (4.95) |
| B | +125 (3.18) | +150 (3.81) |
| C | +193 (4.90) | +030 (0.76) |
| D | -104 (4.17) | -105 (2.67) |
| E | +000 (0.00) | -135 (3.43) |
| F | -164 (4.17) | -105 (2.67) |
| G | -193 (4.90) | +030 (0.76) |
| H | -125 (3.18) | +150 (3.81) |
| J | +065 (1.65) | -015 (0.38) |
| K | -065 (1.65) | -015 (0.38) |

| Shell size | Arrangement no. | Number of contacts | Size contacts | Service rating | Contact location | Supersedes |
|------------|-----------------|--------------------|---------------|----------------|------------------|------------|
| 13 | -98 | 10 | 20 | I | All | MS20051-98 |

SOURIAU shall not be liable for any non-conformity or damage due to a use of the Products which does not comply with the Specifications issued by either of the Parties or by a third party (professional recommendation, technical notice.)

| Country | Jurisdiction & Control List |
|---------|-----------------------------|
| FR | Not Listed |

PN: 8D513X98SA

| | | | |
|----------------|------------------------------------|----------------------------|---|
| A | 19-10-2016 | First Release | |
| ISS | DATE | Latest modification - by | MOD N° |
| Designed By: | | Date: | CUSTOMER DRAWING |
| TITLE | Composite Plug 8D series | | |
| SCALE | | General linear Tolerances: | NPRDS / PROJECT |
| NA | | ±-- | 859 |
| SOURIAU | WWW.SOURIAU.COM | | This document is the property of SOURIAU it must not be reproduced or communicated without permission |
| FORMAT | SOURIAU DRG N° 8D513X98SA-C | | SHEET 2/2 |