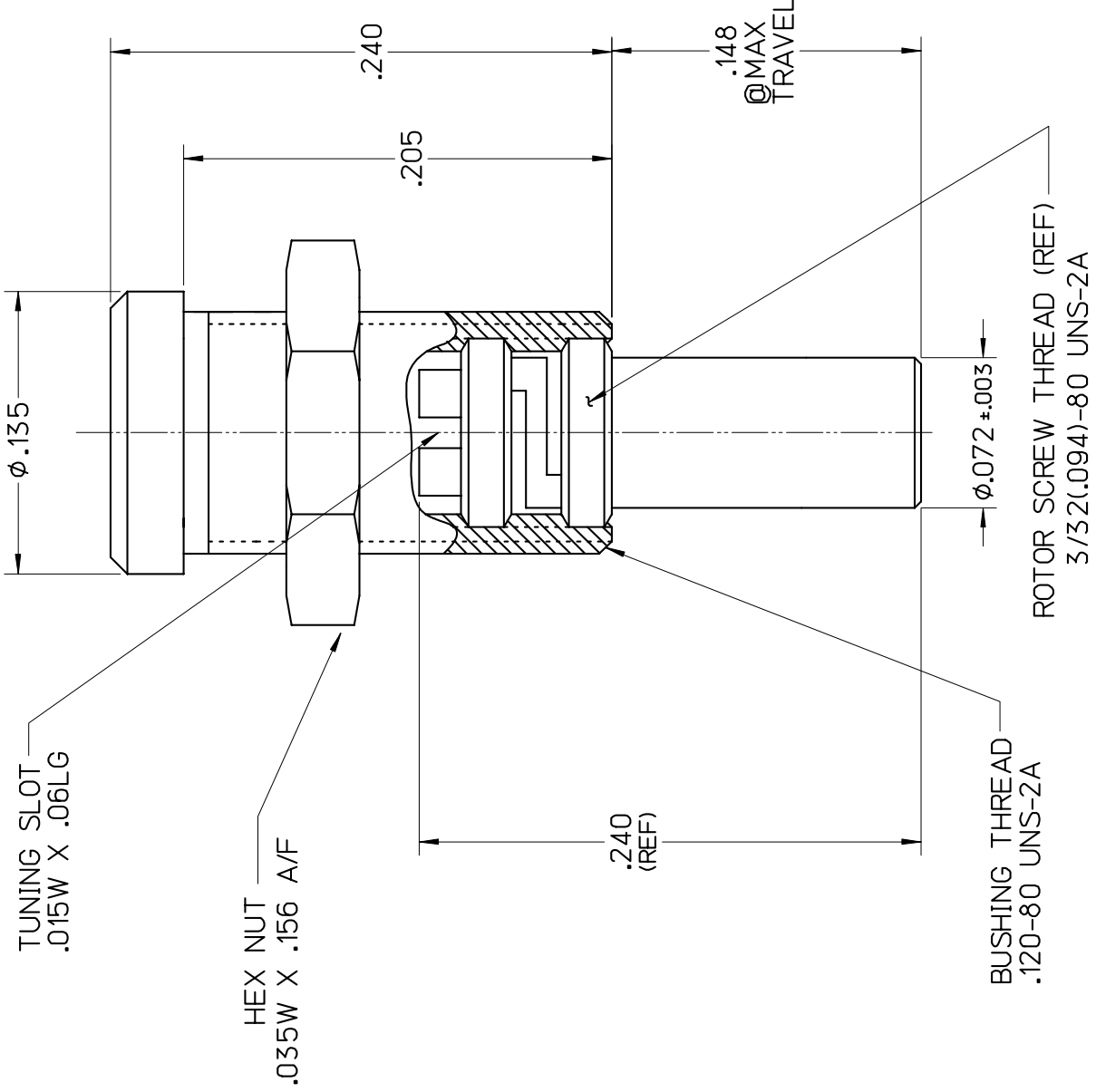


6924-0 R

TUNING ELEMENT

SPECIFICATIONS		FILE: AIROUT
LOW CONTACT RESISTANCE	< 0.01 OHMS	
ROTATIONAL LIFE	> 1000 REVOLUTIONS	
TUNING	0.3 TO 3.0 OZ. IN.	
NUT MOUNTING	10 OZ. IN. MAX	
CLEARANCE HOLE	$\phi \frac{.125}{.123}$	
THREADED HOLE	JMC TAP P/N 7060 (.120-80 UNS-2)	
BRASS STRUCTURE		
APPLICATIONS: FOR HIGH Q VARIABLE REACTANCE TUNING OF MICROWAVE CAVITIES, FILTERS, AND OTHER RESONANT STRUCTURES.		



R	06/07/01	MLD	-	-	010-073
LEVEL	DATE	DRN.	CHK.	APP.	ECN
REVISIONS					
DRN.	MLD	CHK.	MAI	APP.	SCALE
				JHT	12"=1"
DATE	DATE	DATE	DATE	DATE	
06/07/01	06/07/01	06/19/01	06/19/01	06/19/01	.XX ± .015 .XXX ± .005

JOHANSON MANUFACTURING CORPORATION
 ROCKAWAY VALLEY ROAD, BOONTON, N.J. 07005 (973)334-2676 FAX (973)334-2954
 ELECTRONIC ACCURACY THROUGH MECHANICAL PRECISION

Johanson

PROPRIETARY INFORMATION CONTAINED NOT TO BE USED WITHOUT JOHANSON MANUFACTURING CORPORATION APPROVAL