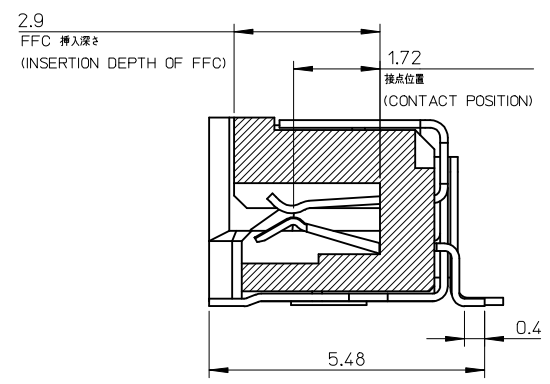
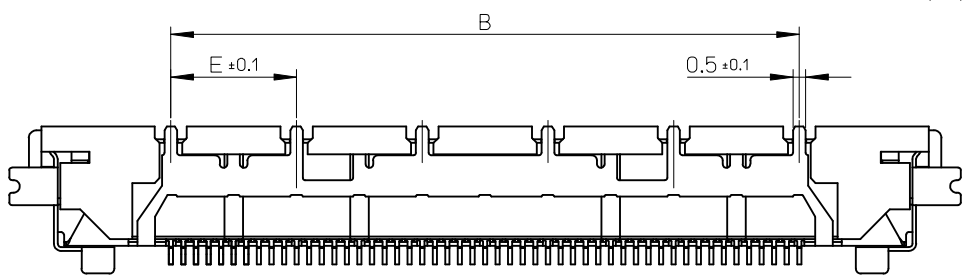
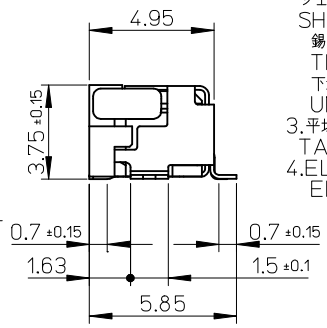
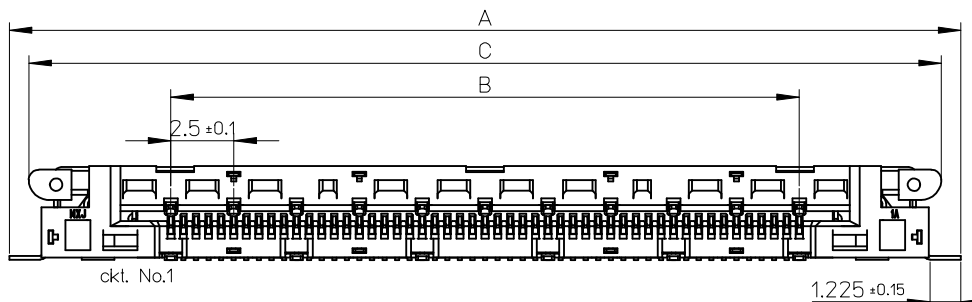
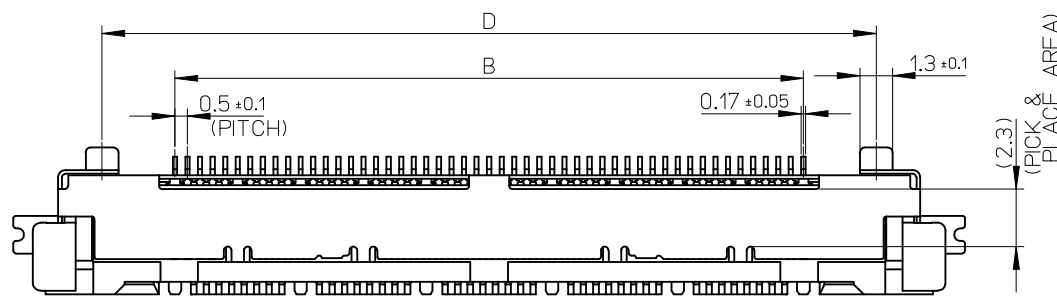
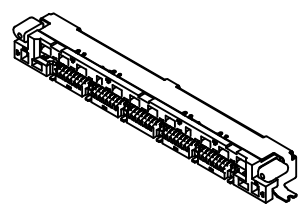


10 9 8 7 6 5 4 3 2 1



注記
NOTES:
1.材質
MATERIAL
ハウジング:LCP(液晶ポリマー)、黒色、ガラス充填、UL94V-0
HOUSING:LIQUID CRYSTAL POLYMER,BLACK
GLASS FILLED,UL94V-0
ターミナル:銅合金(t=0.2)
TERMINAL:COPPER ALLOY(t=0.2)
シェル:燐青銅(t=0.15)
SHELL:PHOSPHOR BRONZE(t=0.15)
2.めっき仕様
PLATING
ターミナル
TERMINAL
接点部:金めっき 0.1μm以上
CONTACT AREA: GOLD 0.1 MICROMETER MINIMUM
半田付け部:金めっき
SOLDER TAIL AREA: GOLD
下地めっき:ニッケル 1.0μm以上
UNDER PLATING:NICKEL 1.0 MICROMETER MINIMUM
シェル
SHELL
錫めっき 1.0μm以上
TIN PLATING 1.0 MICROMETER MINIMUM
下地めっき:ニッケル 1.0μm以上
UNDER PLATING:NICKEL 1.0 MICROMETER MINIMUM
3.平坦度は、0.1ミリ以下とする。
TAILS COPLANARITY TO BE 0.1 MAXIMUM.
4.ELV及びRoHS適合品
ELV AND RoHS COMPLIANT

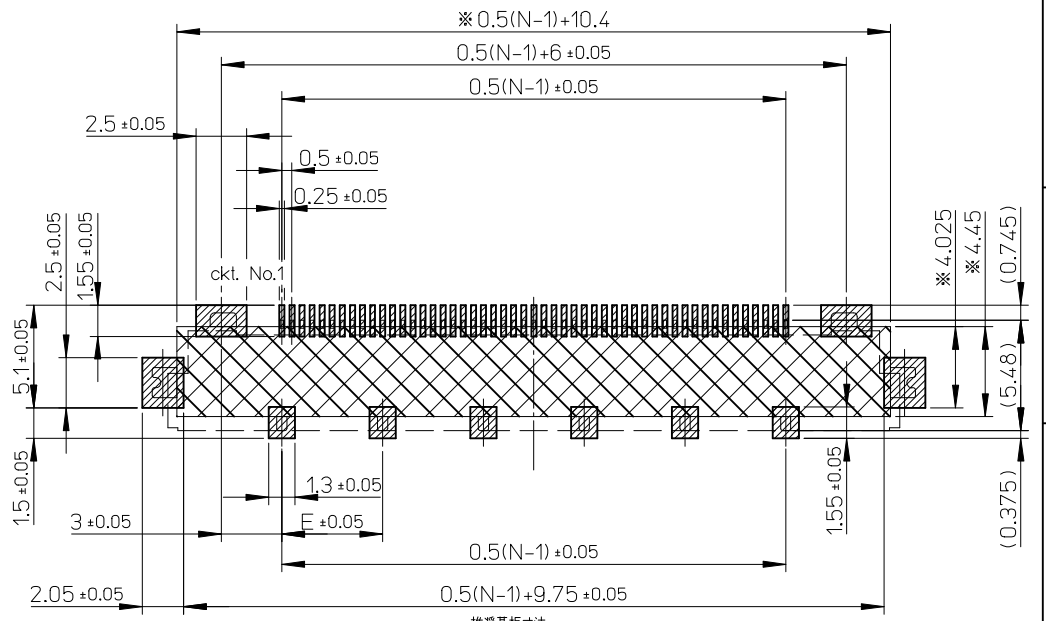
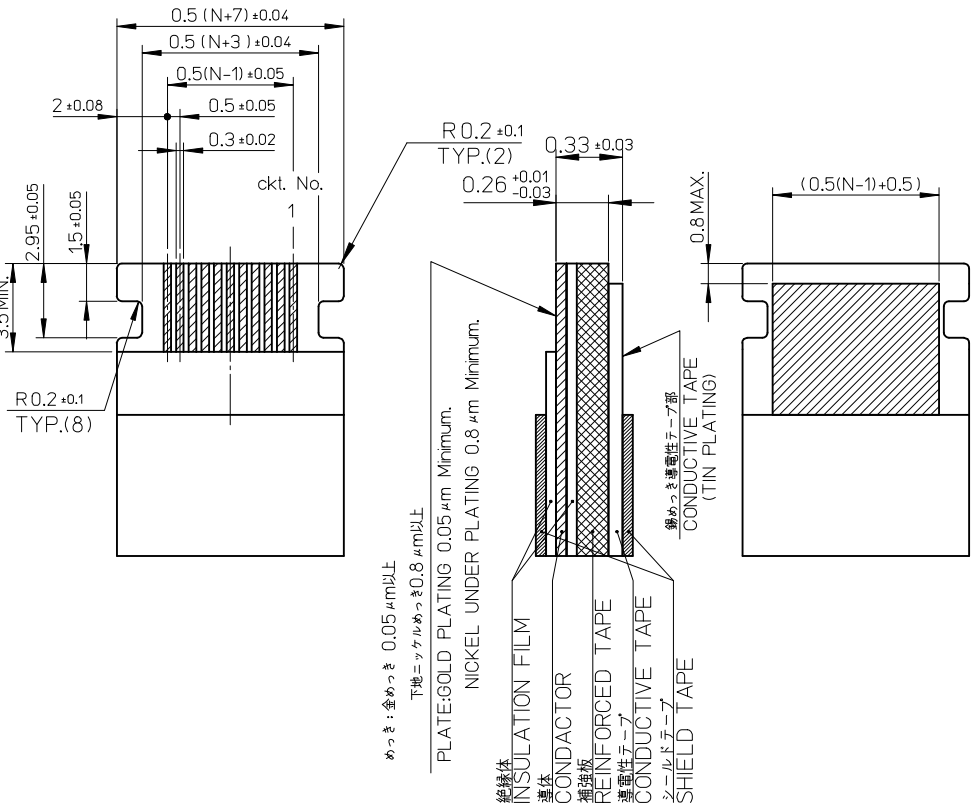


5	30.8	36	25	37.85	503908-5100	51
4	25.8	31	20	32.85	503908-4100	41
E	D	C	B	A	EMBOSSED TAPE PACKAGE	極数
ORDER No.						CIRCUIT

CONNECTOR SERIES No. 503908-**-00

REVISED EC NO.: J2015-0405 DRMKNAGUNO 2014/09/22 CHKDH I J IMA 2014/09/22 APPR: YNOGAWA 2014/09/22	GENERAL TOLERANCES (UNLESS SPECIFIED)		DIMENSION STYLE MM ONLY	SCALE 5:1	DESIGN UNITS METRIC	THIRD ANGLE PROJECTION
	10 UNDER	±0.2	DRAWN BY MOKANO	DATE 2014/07/31	TITLE 0.5 FFC CONN. R/A NON-ZIF ASS'Y	
	10 OVER 30 UNDER	±0.25	CHECKED BY H I I J I M A	DATE 2014/08/06		
	30 OVER	±0.3	APPROVED BY YNOGAWA	DATE 2014/08/07		
REV A	DESCRIPTION	ANGULAR ±1 °	MATERIAL NO. SEE CHART	DOCUMENT NO. SD-503908-001	SHEET NO. 1 OF 2	
		DRAFT WHERE APPLICABLE MUST REMAIN WITHIN DIMENSIONS	THIS DRAWING CONTAINS INFORMATION THAT IS PROPRIETARY TO MOLEX INCORPORATED AND SHOULD NOT BE USED WITHOUT WRITTEN PERMISSION			

9 8 7 6 5 4 3 2



推奨基板寸法
RECOMMENDED P.W.B. PATTERN LAYOUT

※パターン禁止エリア
PATTERN PROHIBITION AREA

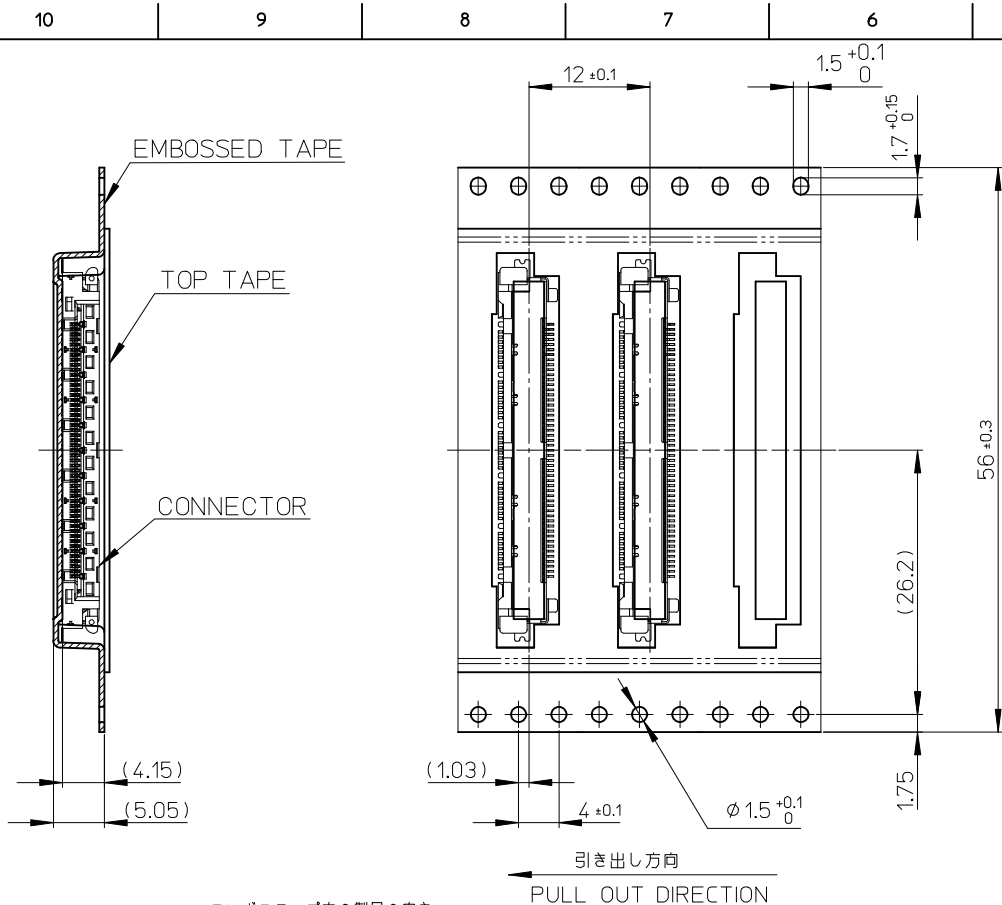
推奨メタルマスク厚: t=0.12mm
RECOMMENDED METAL MASK THICKNESS: t=0.12mm
メタルマスク開口率: 100%
APERTURE RATIO OF METAL MASK: 100%

適合する金めっきFFC推奨寸法

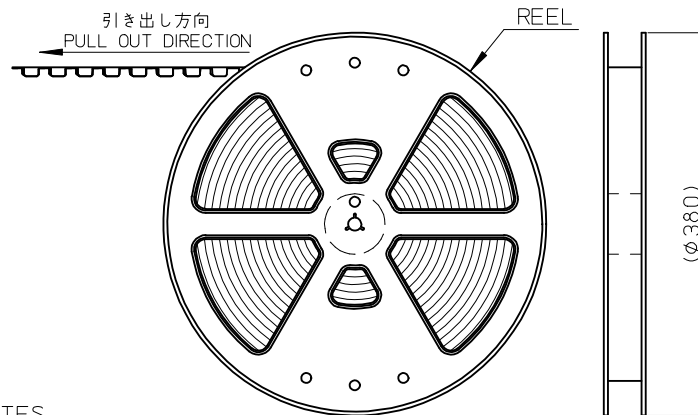
APPLICABLE FFC OF GOLD PLATING
RECOMMENDED DIMENSION

注記
NOTE
抜き方向は、導体側から補強板側を推奨致します。
RECOMMENDED PUNCHER DIRECTION:
FROM CONDUCTOR SIDE TO STIFFNER FILM SIDE.

SEE SHEET 1 EC NO: J2015-0405 DRWN:KAGUMO 2014/09/22 CHKD:H IJIMA 2014/09/22 APPR:YNOGAWA 2014/09/22	GENERAL TOLERANCES (UNLESS SPECIFIED)		DIMENSION STYLE MM ONLY	SCALE 5:1	DESIGN UNITS METRIC	THIRD ANGLE PROJECTION
	10 UNDER	±0.2	DRAWN BY MOKANO	DATE 2014/07/31	TITLE 0.5 FFC CONN. R/A NON-ZIF ASS'Y	
	10 OVER 30 UNDER	±0.25	CHECKED BY HIJIMA	DATE 2014/08/06	molex SD-503908-001	
	30 OVER	±0.3	APPROVED BY YNOGAWA	DATE 2014/08/07		
A	ANGULAR ±1 ° DRAFT WHERE APPLICABLE MUST REMAIN WITHIN DIMENSIONS	SIZE A3	MATERIAL NO. SEE SHEET1	DOCUMENT NO. SD-503908-001	THIS DRAWING CONTAINS INFORMATION THAT IS PROPRIETARY TO MOLEX INCORPORATED AND SHOULD NOT BE USED WITHOUT WRITTEN PERMISSION	

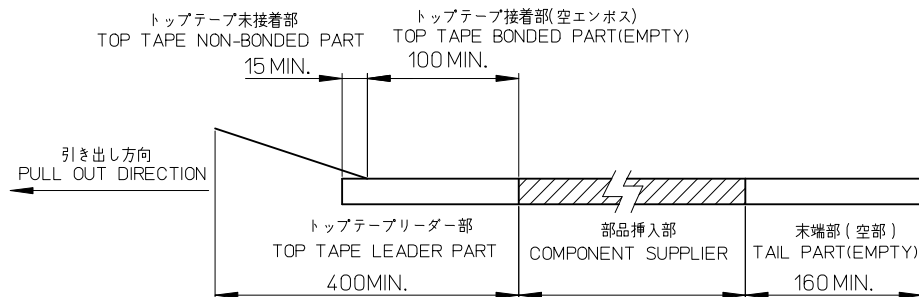


エンボステーブ内の製品の向き
DIRECTION OF CONNECTOR IN
EMBOSSSED TAPE



NOTES

1. 製品の詳細については、SD-503908-001をご参照下さい。
CONNECTOR DETAILED DIMENSIONS, REFER TO SD-503908-001.
2. 梱包数量: 1000個/リール
NUMBER OF CONNECTORS : 1000PCS/REEL
3. リードテープの長さ
LEAD TAPE LENGTH



4. 材料
キャリアテープ(CARRIER TAPE): ポリスチレン(POLYSTYRENE)
トップテープ(TOP TAPE): PET, PE, PEF
リール(REEL): ポリスチレン(POLYSTYRENE) <リサイクル材を含む>
<RECYCLE MATERIAL CONTAINED>
5. トップテープの剥離強度については、IEC60286-3に準拠
TOP TAPE PEEL FORCE IS DEFINED BY IEC60286-3.

503908-5100	51
503908-4100	41
オーダー番号 ORDER NO.	極数 CIRCUIT

PROPOSED EC NO: J2015-0196 DRWN: MOKANO CHKD: HIJIMA APPR: YNOGAWA 2014/08/06 2014/08/06 2014/08/07	GENERAL TOLERANCES (UNLESS SPECIFIED)		DIMENSION STYLE	SCALE	DESIGN UNITS	THIRD ANGLE PROJECTION
			MM ONLY	5:1	METRIC	
	10 UNDER	± 0.2	DRAWN BY	DATE	TITLE	
	10 OVER 30 UNDER	± 0.25	MOKANO	2014/07/31	0.5 FFC CONN. R/A NON-ZIF EMBOSSSED TAPE PACKAGE	
30 OVER	± 0.3	CHECKED BY	DATE			
		HIJIMA	2014/08/06	molex		
		APPROVED BY	DATE			
		YNOGAWA	2014/08/07	MATERIAL NO.	DOCUMENT NO.	SHEET NO.
		ANGULAR ± 1 °	SEE CHART		SD-503908-002	1 OF 1
		DRAFT WHERE APPLICABLE MUST REMAIN WITHIN DIMENSIONS	SIZE	THIS DRAWING CONTAINS INFORMATION THAT IS PROPRIETARY TO MOLEX INCORPORATED AND SHOULD NOT BE USED WITHOUT WRITTEN PERMISSION		
			A3			