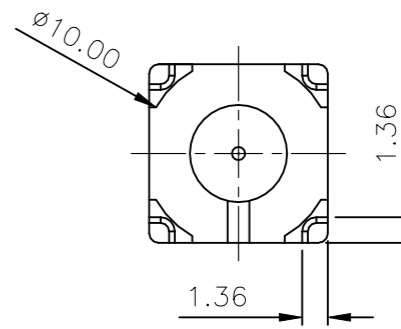
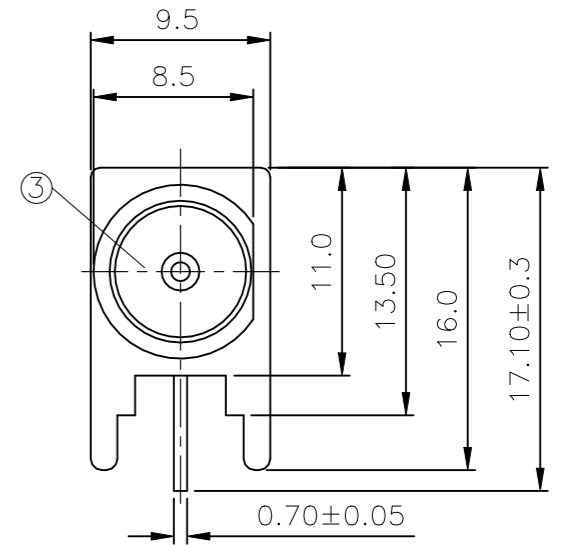
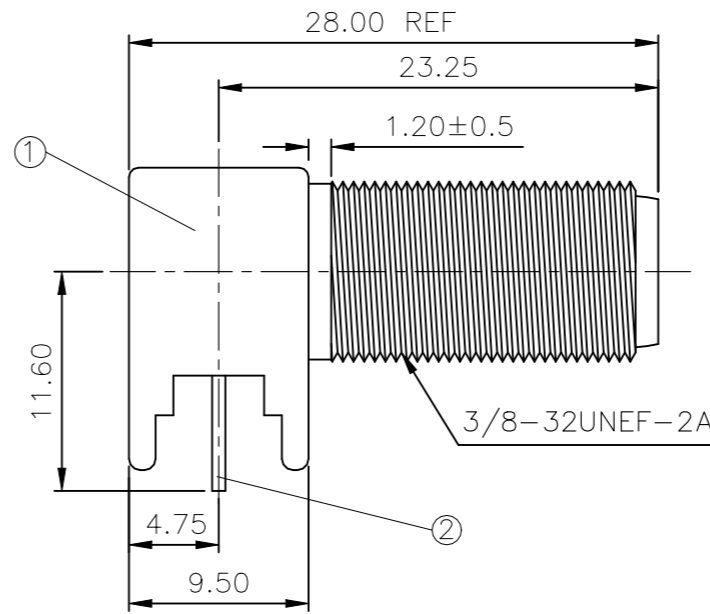
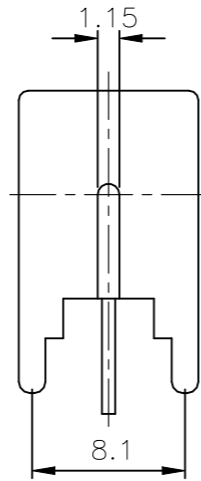


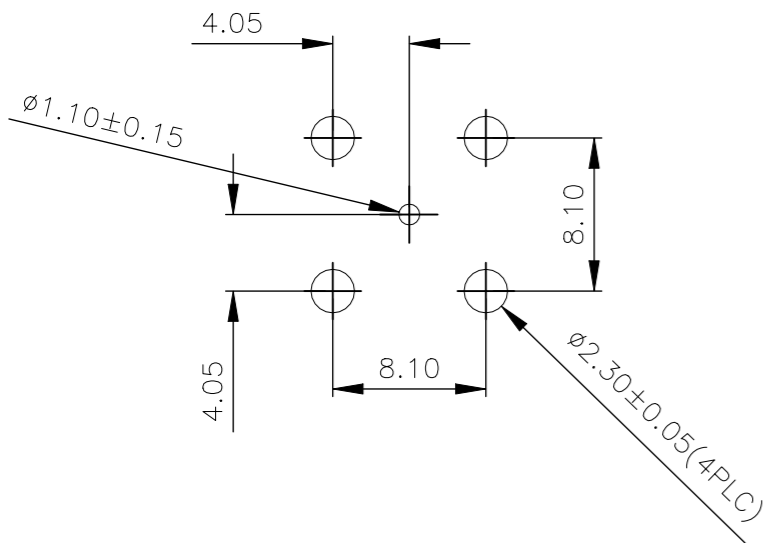
REVISIONS					
P	LTR	DESCRIPTION	DATE	DWN	APVD
	C3	REVISED PER ECN-21-114705	26AUG2021	RZ	WK

NOTES

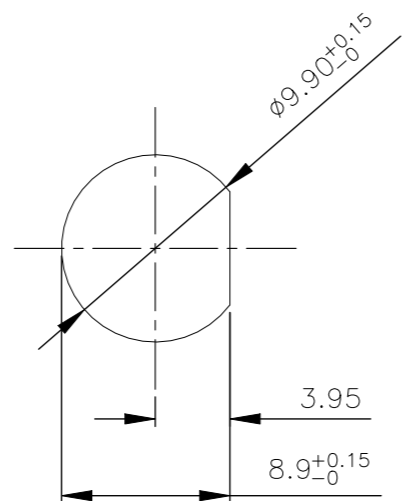
- ① PACKAGING: 50 PCS/TRAY, 20 TRAYS/CTN
- ② PACKAGING: SINGLE PACK, 1PC/BAG, 100 BAGS/BOX, 10 BOXES/CTN
- ③ TIN PLATING
- ④ Ni PLATING
- ⑤ PACKAGING: 100 PCS/BAG, 1BAG/BOX, 10 BOXES/CTN



RECOMMENDED PCB LAYOUT WITH MOUNTING POSTS



RECOMMENDED MOUNTING HOLE



		1	1	1	TPX	INSULATOR	3
		1	1	1	PHOS BRONZE	③ CONTACT	2
		1	1	1	ZINC ALLOY	④ BODY	1
		5--2	5--1	5--0	MATERIAL	DESCRIPTION	ITEM
	⑤	②	①				
QUANTITY PER ASSY					PARTS LIST		

THIS DRAWING IS A CONTROLLED DOCUMENT.		DWN ANSON MA 14FEB09		
		CHK RITA ZUO 14FEB09		
		APVD BOB ZHAO 14FEB09	NAME	
DIMENSIONS: mm 		PRODUCT SPEC 108-112000	F SERIES CONNECTOR ELBOW JACK PCB	
TOLERANCES UNLESS OTHERWISE SPECIFIED: 0 PLC ± 0.5 1 PLC ± 0.3 2 PLC ± 0.2 3 PLC ± - 4 PLC ± - ANGLES ± -		APPLICATION SPEC		
MATERIAL		WEIGHT 0.000000	SIZE A3	CAGE CODE 00779
FINISH		DRAWING NO C-1634540		RESTRICTED TO
CUSTOMER DRAWING			SCALE NTS	SHEET 1 OF 1
			REV C3	