



Coupling contactor relay, 2 NO + 2 NC, 24 V DC, 0.7 ... 1.25* US, with integrated suppressor diode, Size S00, Ring cable lug connection, suitable for PLC outputs

| | |
|---|---|
| product brand name | SIRIUS |
| product designation | Coupling relay for switching auxiliary circuits |
| product type designation | 3RH2 |
| General technical data | |
| size of contactor | S00 |
| product extension auxiliary switch | No |
| insulation voltage with degree of pollution 3 at AC rated value | 690 V |
| degree of pollution | 3 |
| surge voltage resistance rated value | 6 kV |
| shock resistance at rectangular impulse | |
| • at DC | 10g / 5 ms, 5g / 10 ms |
| shock resistance with sine pulse | |
| • at DC | 15g / 5 ms, 8g / 10 ms |
| mechanical service life (switching cycles) | |
| • of contactor typical | 30 000 000 |
| reference code according to IEC 81346-2 | K |
| Substance Prohibitance (Date) | 10/01/2009 |
| Ambient conditions | |
| installation altitude at height above sea level maximum | 2 000 m |
| ambient temperature | |
| • during operation | -25 ... +60 °C |
| • during storage | -55 ... +80 °C |
| relative humidity minimum | 10 % |
| relative humidity at 55 °C according to IEC 60068-2-30 maximum | 95 % |
| Main circuit | |
| no-load switching frequency | |
| • at AC | 10 000 1/h |
| • at DC | 10 000 1/h |
| Control circuit/ Control | |
| type of voltage of the control supply voltage | DC |
| control supply voltage at DC | |
| • rated value | 24 V |
| operating range factor control supply voltage rated value of magnet coil at DC | |
| • initial value | 0.7 |
| • full-scale value | 1.25 |
| design of the surge suppressor | suppressor diode |
| closing power of magnet coil at DC | 2.8 W |

| | |
|--|---------------|
| holding power of magnet coil at DC | 2.8 W |
| closing delay | |
| • at DC | 25 ... 130 ms |
| opening delay | |
| • at DC | 7 ... 20 ms |
| arcing time | 10 ... 15 ms |
| Auxiliary circuit | |
| number of NC contacts for auxiliary contacts | 2 |
| • instantaneous contact | 2 |
| number of NO contacts for auxiliary contacts | 2 |
| • instantaneous contact | 2 |
| identification number and letter for switching elements | 22 E |
| operational current at AC-12 maximum | 10 A |
| operational current at AC-15 | |
| • at 230 V rated value | 10 A |
| • at 400 V rated value | 3 A |
| • at 500 V rated value | 2 A |
| • at 690 V rated value | 1 A |
| operational current at 1 current path at DC-12 | |
| • at 24 V rated value | 10 A |
| • at 110 V rated value | 3 A |
| • at 220 V rated value | 1 A |
| • at 440 V rated value | 0.3 A |
| • at 600 V rated value | 0.15 A |
| operational current with 2 current paths in series at DC-12 | |
| • at 24 V rated value | 10 A |
| • at 60 V rated value | 10 A |
| • at 110 V rated value | 4 A |
| • at 220 V rated value | 2 A |
| • at 440 V rated value | 1.3 A |
| • at 600 V rated value | 0.65 A |
| operational current with 3 current paths in series at DC-12 | |
| • at 24 V rated value | 10 A |
| • at 60 V rated value | 10 A |
| • at 110 V rated value | 10 A |
| • at 220 V rated value | 3.6 A |
| • at 440 V rated value | 2.5 A |
| • at 600 V rated value | 1.8 A |
| operating frequency at DC-12 maximum | 1 000 1/h |
| operational current at 1 current path at DC-13 | |
| • at 24 V rated value | 10 A |
| • at 110 V rated value | 1 A |
| • at 220 V rated value | 0.3 A |
| • at 440 V rated value | 0.14 A |
| • at 600 V rated value | 0.1 A |
| operational current with 2 current paths in series at DC-13 | |
| • at 24 V rated value | 10 A |
| • at 60 V rated value | 3.5 A |
| • at 110 V rated value | 1.3 A |
| • at 220 V rated value | 0.9 A |
| • at 440 V rated value | 0.2 A |
| • at 600 V rated value | 0.1 A |
| operational current with 3 current paths in series at DC-13 | |
| • at 24 V rated value | 10 A |
| • at 60 V rated value | 4.7 A |
| • at 110 V rated value | 3 A |

| | |
|---|--|
| <ul style="list-style-type: none"> • at 220 V rated value • at 440 V rated value • at 600 V rated value | 1.2 A 0.5 A 0.26 A |
| operating frequency at DC-13 maximum | 1 000 1/h |
| design of the miniature circuit breaker for short-circuit protection of the auxiliary circuit up to 230 V | C characteristic: 6 A; 0.4 kA |
| contact reliability of auxiliary contacts | 1 faulty switching per 100 million (17 V, 1 mA) |
| UL/CSA ratings | |
| contact rating of auxiliary contacts according to UL | A600 / Q600 |
| Short-circuit protection | |
| design of the fuse link for short-circuit protection of the auxiliary switch required | fuse gL/gG: 10 A |
| Installation/ mounting/ dimensions | |
| mounting position | +/-180° rotation possible on vertical mounting surface; can be tilted forward and backward by +/- 22.5° on vertical mounting surface |
| fastening method | screw and snap-on mounting onto 35 mm standard mounting rail |
| height | 57.5 mm |
| width | 45 mm |
| depth | 73 mm |
| required spacing | |
| <ul style="list-style-type: none"> • with side-by-side mounting <ul style="list-style-type: none"> — forwards — upwards — downwards — at the side • for grounded parts <ul style="list-style-type: none"> — forwards — upwards — at the side — downwards • for live parts <ul style="list-style-type: none"> — forwards — upwards — downwards — at the side | 10 mm 10 mm 10 mm 0 mm 10 mm 10 mm 6 mm 10 mm 10 mm 10 mm 10 mm 6 mm |
| Connections/ Terminals | |
| type of electrical connection for auxiliary and control circuit | ring terminal lug connection |
| Safety related data | |
| B10 value with high demand rate according to SN 31920 | 1 000 000; With 0.3 x Ie |
| proportion of dangerous failures | |
| <ul style="list-style-type: none"> • with low demand rate according to SN 31920 • with high demand rate according to SN 31920 | 40 % 73 % |
| failure rate [FIT] with low demand rate according to SN 31920 | 100 FIT |
| T1 value for proof test interval or service life according to IEC 61508 | 20 y |
| protection class IP on the front according to IEC 60529 | IP00 |
| Certificates/ approvals | |
| General Product Approval | |



[Confirmation](#)



[KC](#)



| | | | |
|-----|---------------------------------------|---------------------------|-------------------|
| EMC | Functional Safety/Safety of Machinery | Declaration of Conformity | Test Certificates |
|-----|---------------------------------------|---------------------------|-------------------|



[Type Examination Certificate](#)



EG-Konf.

[Type Test Certificates/Test Report](#)

[Special Test Certificate](#)

Marine / Shipping



ABS



BUREAU VERITAS



DNV



LRS



PRS



RINA

Marine / Shipping

other

Dangerous Good



RMRS

[Confirmation](#)



VDE

[Transport Information](#)

Further information

Information- and Downloadcenter (Catalogs, Brochures,...)

<https://www.siemens.com/ic10>

Industry Mall (Online ordering system)

<https://mall.industry.siemens.com/mall/en/en/Catalog/product?mlfb=3RH2122-4KB40>

Cax online generator

<http://support.automation.siemens.com/WW/CAXorder/default.aspx?lang=en&mlfb=3RH2122-4KB40>

Service&Support (Manuals, Certificates, Characteristics, FAQs,...)

<https://support.industry.siemens.com/cs/ww/en/ps/3RH2122-4KB40>

Image database (product images, 2D dimension drawings, 3D models, device circuit diagrams, EPLAN macros, ...)

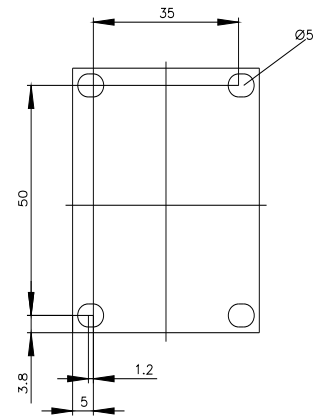
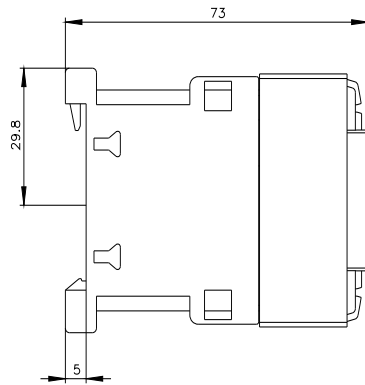
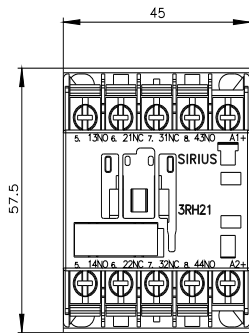
http://www.automation.siemens.com/bilddb/cax_de.aspx?mlfb=3RH2122-4KB40&lang=en

Characteristic: Tripping characteristics, I^t, Let-through current

<https://support.industry.siemens.com/cs/ww/en/ps/3RH2122-4KB40/char>

Further characteristics (e.g. electrical endurance, switching frequency)

<http://www.automation.siemens.com/bilddb/index.aspx?view=Search&mlfb=3RH2122-4KB40&objecttype=14&gridview=view1>



last modified:

1/26/2022 