

**SAID-M12SB-4S-9SMT****Weidmüller Interface GmbH & Co. KG**

Klingenbergstraße 16

D-32758 Detmold

Germany

Fon: +49 5231 14-0

Fax: +49 5231 14-292083

www.weidmueller.com

**Similar to illustration**

Weidmüller is now one of the industry's leading international providers of connectors. An important mainstay in this product family are the circular connectors, which Weidmüller groups under the product name SAI. In the development of SAI products, Weidmüller engineers have always concentrated on achieving rational, cost-effective installation concepts, and – in cooperation with major users – have supplied the markets with well-conceived products which set standards in terms of functionality and quality across the globe. The best examples are the new power distributors with S and T coded M12. These modules are characterised by particularly high currents and voltages. This enables them to also be used, for example, with three-phase motors.

**General ordering data**

Type	SAID-M12SB-4S-9SMT
Order No.	<a href="#">2422720000</a>
Version	Built-in plugs, M12, Pin, No. of poles: 4
GTIN (EAN)	4050118430929
Qty.	25 pc(s).

**SAID-M12SB-4S-9SMT****Weidmüller Interface GmbH & Co. KG**

Klingenbergstraße 16

D-32758 Detmold

Germany

Fon: +49 5231 14-0

Fax: +49 5231 14-292083

www.weidmueller.com

**Technical data****Dimensions and weights**

Net weight 3.92 g

**Environmental Product Compliance**

REACH SVHC Lead 7439-92-1

**Technical data of PCB plug-in connector**

Coding	B	Housings	M12 pin
No. of poles	4	Shield connection	Yes
Rated voltage	250 V	Rated voltage (text)	250 V (4-pole) / 60 V (5-pole)
Rated current	4 A	Rated current	4 A
Temperature range	-25...95 °C	Protection degree	IP67
Contact surface	Au (Gold)	Housing main material	LCP
Connection thread	M12	Tightening torque	M12: 0.8 Nm
Insulation strength	100 MΩ	Pollution severity	3 (2 within the sealed area)
Plugging cycles	≥ 100	Contact material	CuZn
Lock nut material	Nickel-plated CuZn	Material of the flange-mounted housing	Nickel-plated CuZn

**Material data**

Contact material CuZn Contact surface Au (Gold)

**System parameters**

Insulation strength	100 MΩ	No. of poles	4
Pin series quantity	1	Plugging cycles	≥ 100
Protection degree	IP67		

**Classifications**

ETIM 6.0	EC000438	eClass 6.2	27-26-07-02
eClass 9.1	27-44-02-05		

**Approvals**

ROHS Conform

**Downloads**

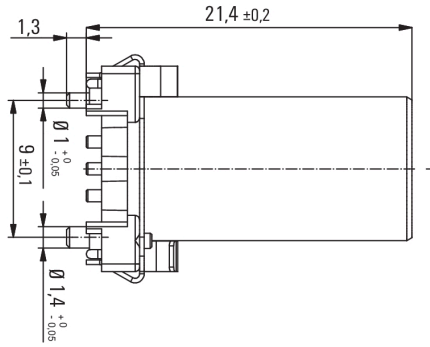
Brochure/Catalogue	<a href="#">FL FIELDWIRING EN</a>
Engineering Data	<a href="#">STEP</a>

**SAID-M12SB-4S-9SMT**

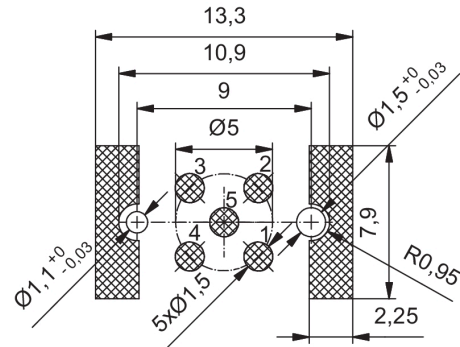
**Weidmüller Interface GmbH & Co. KG**  
 Klingenbergstraße 16  
 D-32758 Detmold  
 Germany  
 Fon: +49 5231 14-0  
 Fax: +49 5231 14-292083  
 www.weidmueller.com

**Drawings**

**Dimensioned drawing**



**PCB design**



**Pole scheme**

