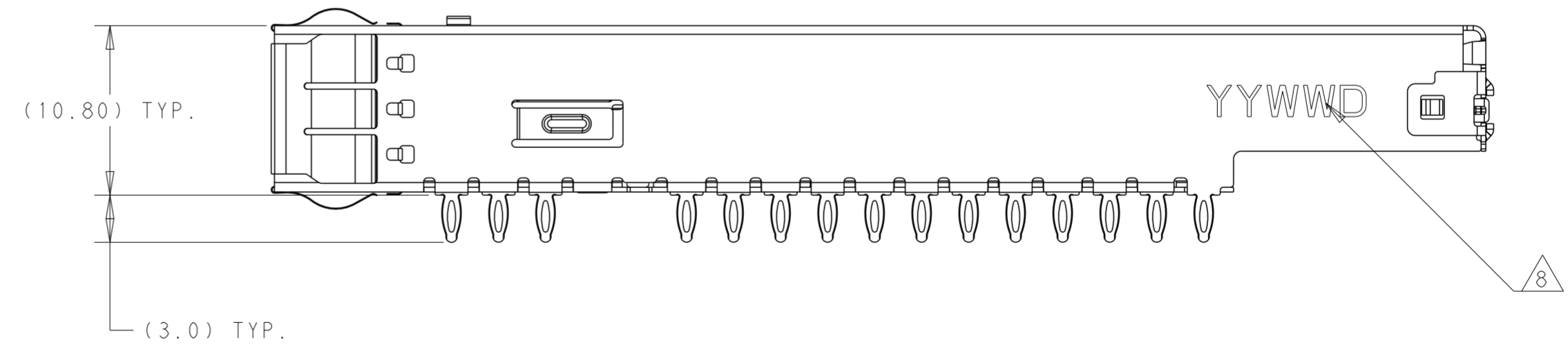
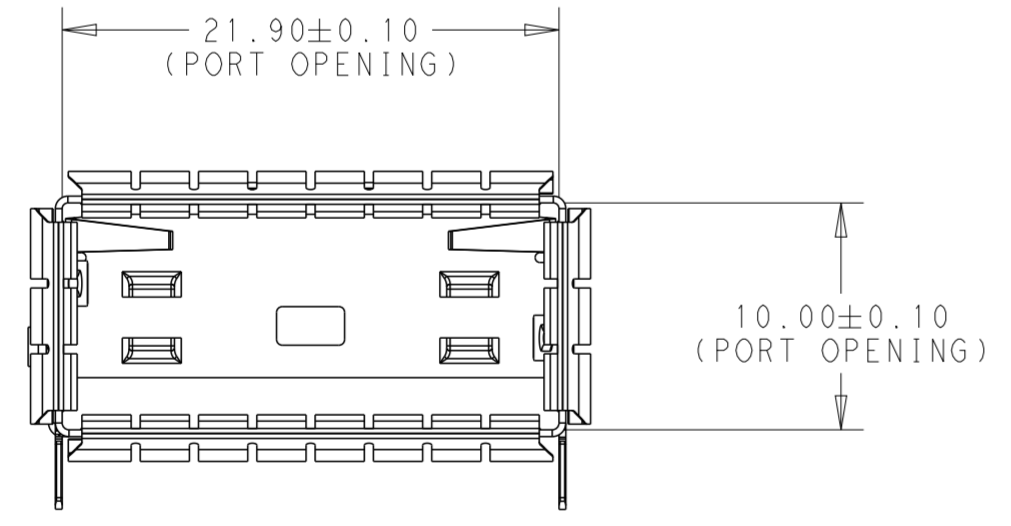
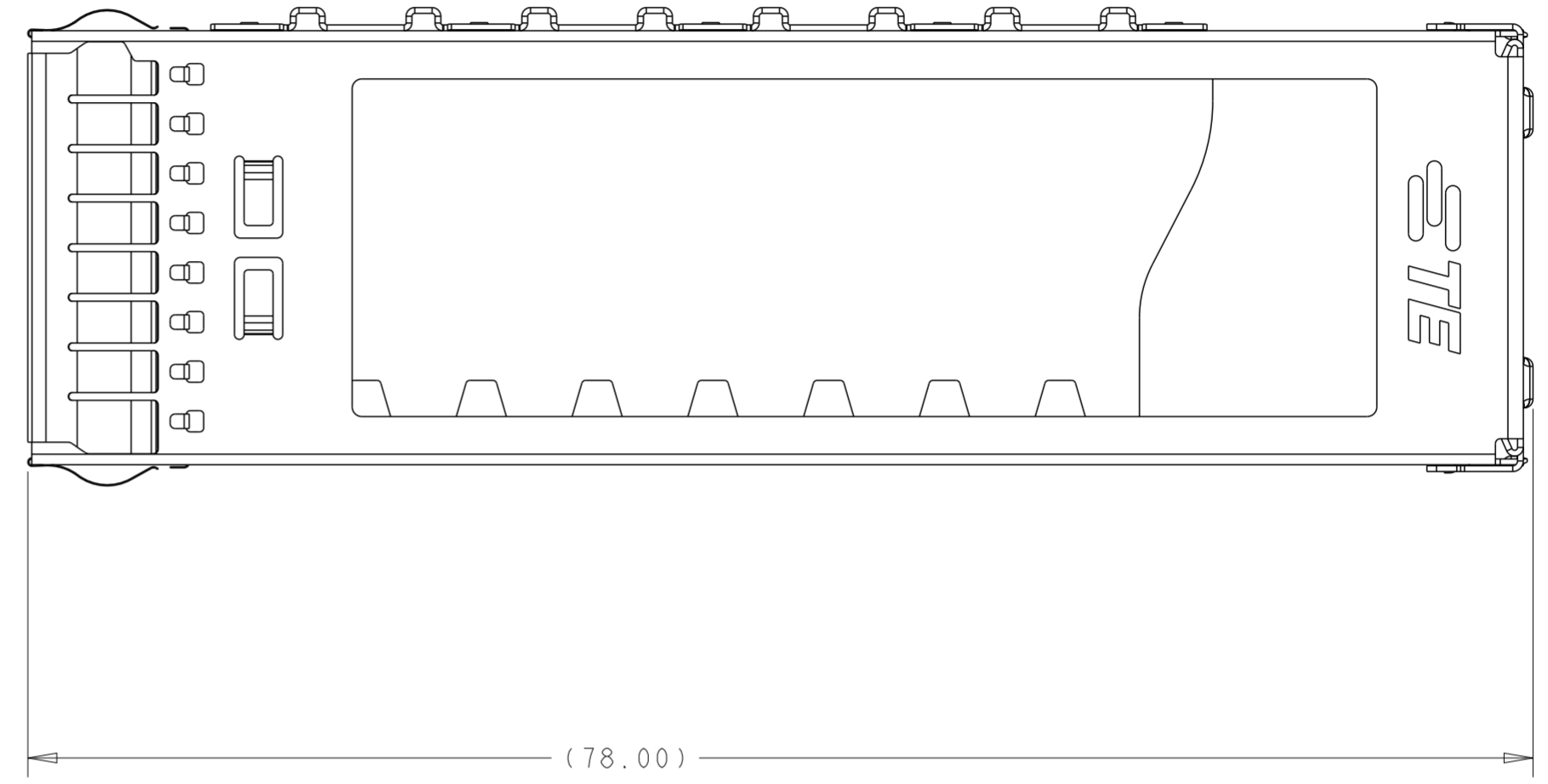


THIS DRAWING IS UNPUBLISHED. RELEASED FOR PUBLICATION 20  
 © COPYRIGHT 20 BY - ALL RIGHTS RESERVED.

| REVISIONS |     |                           |           |       |
|-----------|-----|---------------------------|-----------|-------|
| P         | LTR | DESCRIPTION               | DATE      | APVD  |
| 1         |     | PRELIMINARY DRAWING       | 20MAY2016 | AD SH |
| 2         |     | REVISED PER ECN-22-167680 | 03AUG2022 | AK SZ |
|           |     |                           |           |       |
|           |     |                           |           |       |

- 1. MATERIAL : CAGE : 0.3MM THICK NICKEL SILVER ALLOY;  
EMI SPRING: COPPER ALLOY;
- 2. FINISH: EMI SPRING -1.27um NICKEL PALTING OVER ALL;
- 3. MATES WITH CFP MSA COMPLIANT TRANSCEIVERS.
- 4. DATUM AND BASIC DIMENSION ESTABLISHED BY CUSTOMER.
- 5. MINIMUM PC BOARD THICKNESS: SIGLE SIDE APPLICATIONS=2.99±0.10mm.  
BELLY TO BELLY APPLICATION 3.0mm MIN.
- 6. PADS AND VIAS CHASSIS GROUND;
- 7. REFERENCE APPLICATION SPEC 114-XXXX, HOLE A, FOR  
RECOMMENDED DRILL HOLE DIAMETER AND PLATING THICKNESS.
- 8. DATE CODE MARKED APPROXIMATE AREA.

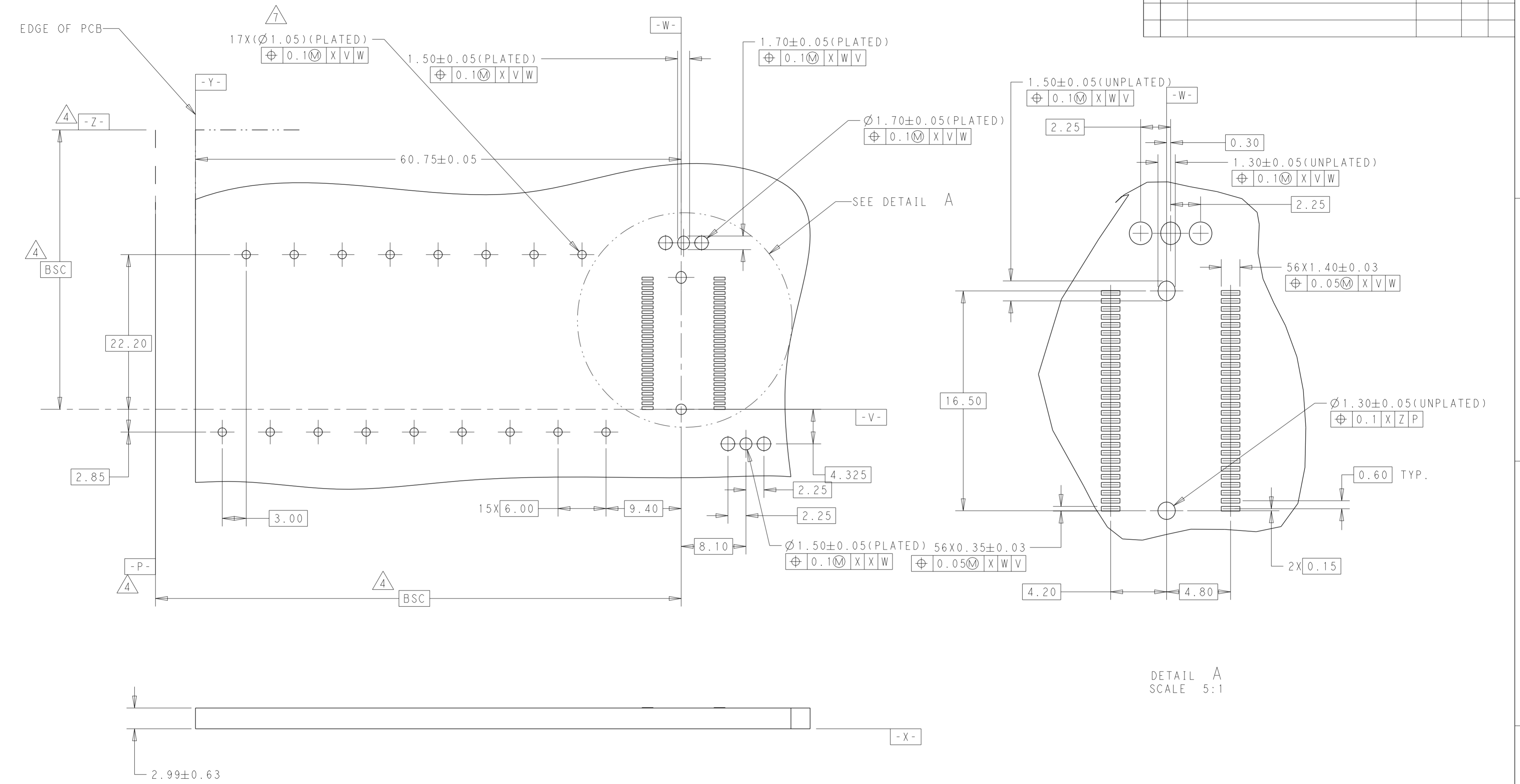


OBsolete 2288227-2  
PART NUMBER

|  |  |                         |  |               |
|--|--|-------------------------|--|---------------|
| THIS DRAWING IS A CONTROLLED DOCUMENT. |  | DWN ANDY.XIE 20MAY2016  | TE Connectivity                                    |               |
| DIMENSIONS:                            |  | CHK SEAN.HAN 20MAY2016  |  |               |
| mm                                     | TOLERANCES UNLESS OTHERWISE SPECIFIED: | APVD SEAN.HAN 20MAY2016 | NAME CAGE ASSEMBLY, CFP4 1X1 PRESS FIT, EMI SPRING |               |
| 0 PLC ±                                | 1 PLC ±0.25                            | PRODUCT SPEC -          | SIZE A2  | CAGE CODE -   |
| 2 PLC ±0.15                            | 3 PLC ±0.1                             | APPLICATION SPEC -      | DRAWING NO C-2288227                               | RESTRICTED TO |
| 4 PLC ±                                | ANGLES ±                               | WEIGHT -                | SCALE 3:1  | SHEET 1 OF 4  |
| MATERIAL -                             | FINISH -                               | CUSTOMER DRAWING        | REV 2  |               |

THIS DRAWING IS UNPUBLISHED. RELEASED FOR PUBLICATION 20  
 © COPYRIGHT 20 BY - ALL RIGHTS RESERVED.

| REVISIONS |     |             |      |      |
|-----------|-----|-------------|------|------|
| P         | LTR | DESCRIPTION | DATE | APVD |
| -         | -   | SEE SHEET 1 | -    | -    |
|           |     |             |      |      |
|           |     |             |      |      |

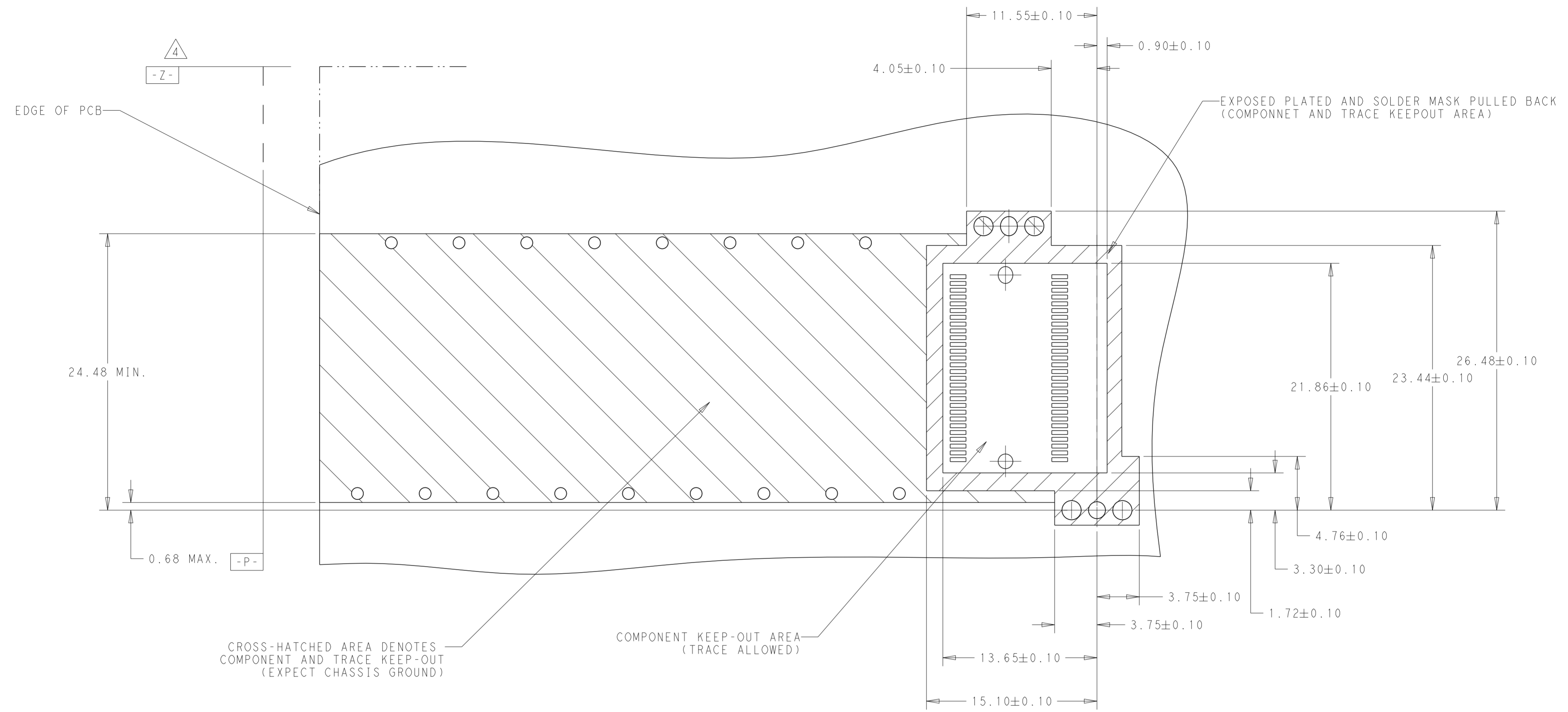


DETAIL A  
SCALE 5:1

|   |  |                               |  |                              |
|---|--|-------------------------------|--|------------------------------|
| THIS DRAWING IS A CONTROLLED DOCUMENT.  |  | DWN<br>ANDY.XIE<br>20MAY2016  | TE Connectivity  |                              |
| DIMENSIONS:<br>mm   |  | CHK<br>SEAN.HAN<br>20MAY2016  |  |                              |
| TOLERANCES UNLESS OTHERWISE SPECIFIED:  |  | APVD<br>SEAN.HAN<br>20MAY2016 | NAME<br>CAGE ASSEMBLY, CFP4 1X1<br>PRESS FIT, EMI SPRING |                              |
| 0 PLC ±<br>1 PLC ±0.25<br>2 PLC ±0.15<br>3 PLC ±0.10<br>4 PLC ±<br>ANGLES ±<br>FINISH ± |  | PRODUCT SPEC<br>-             | SIZE<br>A2   |                              |
| MATERIAL<br>-   |  | APPLICATION SPEC<br>-         | CAGE CODE<br>-   | DRAWING NO.<br>C-2288227     |
|   |  | WEIGHT<br>-                   | RESTRICTED TO  | SCALE 3:1 SHEET 2 OF 4 REV 2 |
|   |  | CUSTOMER DRAWING              |  |                              |

THIS DRAWING IS UNPUBLISHED. RELEASED FOR PUBLICATION 20  
 © COPYRIGHT 20 BY - ALL RIGHTS RESERVED.

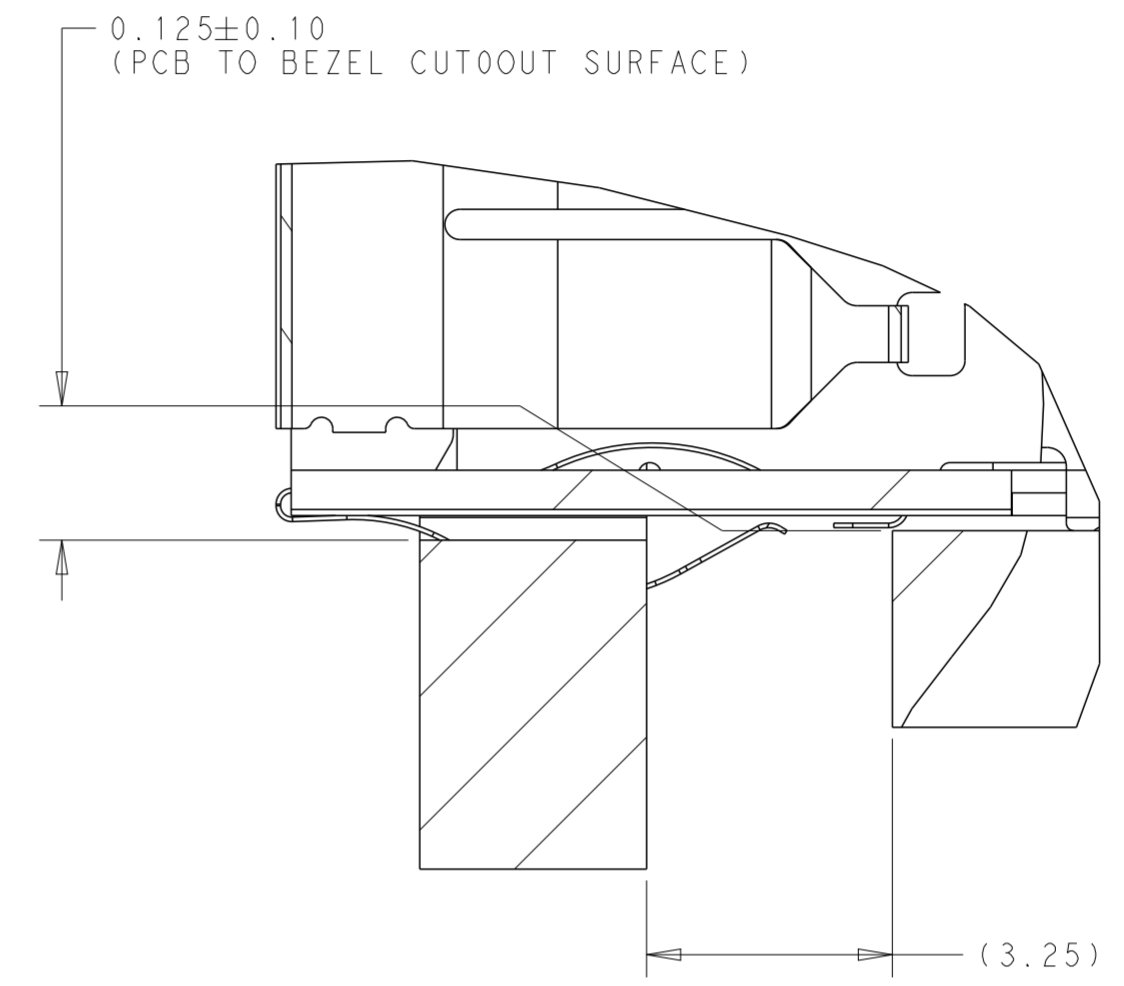
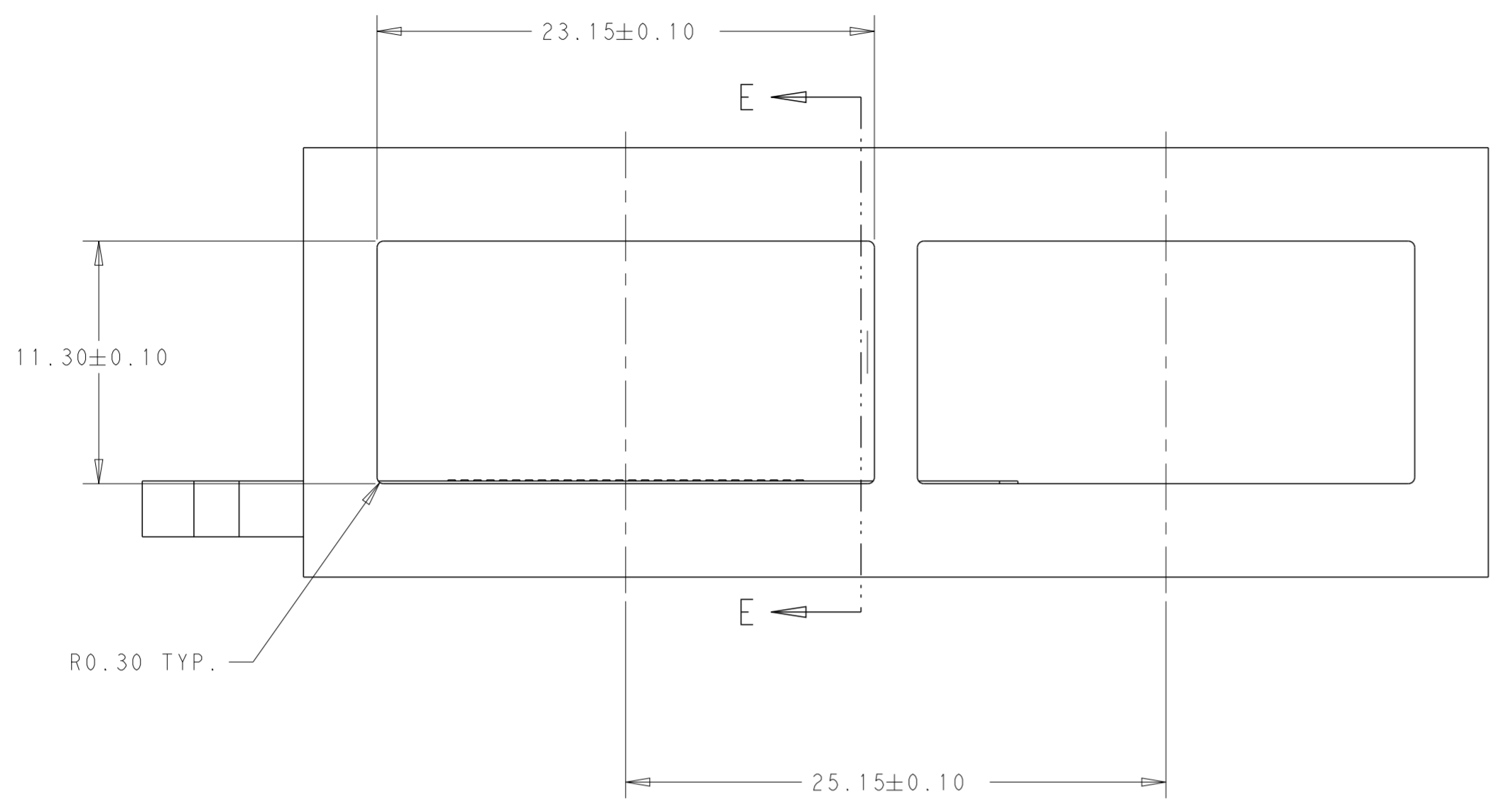
| REVISIONS |     |             |      |      |
|-----------|-----|-------------|------|------|
| P         | LTR | DESCRIPTION | DATE | APVD |
| -         | -   | SEE SHEET 1 | -    | -    |
|           |     |             |      |      |
|           |     |             |      |      |



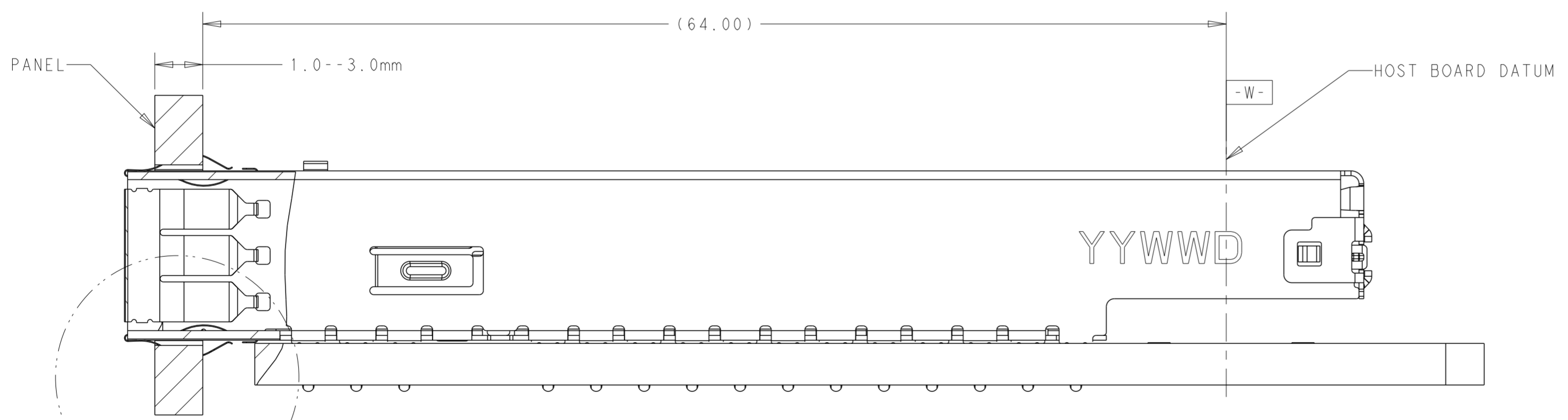
|  |             |                               |  |                |
|--|-------------|-------------------------------|--|----------------|
| THIS DRAWING IS A CONTROLLED DOCUMENT. |             | DWN<br>ANDY.XIE<br>20MAY2016  | TE Connectivity  |                |
| DIMENSIONS:<br>mm                      |             | CHK<br>SEAN.HAN<br>20MAY2016  |  |                |
| TOLERANCES UNLESS OTHERWISE SPECIFIED: |             | APVD<br>SEAN.HAN<br>20MAY2016 | NAME<br>CAGE ASSEMBLY, CFP4 1X1<br>PRESS FIT, EMI SPRING |                |
| 0 PLC ±                                | 1 PLC ±0.25 | PRODUCT SPEC                  | SIZE<br>A2   | CAGE CODE<br>- |
| 2 PLC ±0.15                            | 3 PLC ±0.10 | APPLICATION SPEC              | DRAWING NO<br>C-2288227                                  | RESTRICTED TO  |
| 4 PLC ±                                | ANGLES ±    | FINISH                        | WEIGHT<br>-  | SCALE<br>4:1   |
| MATERIAL<br>-                          | FINISH<br>- | CUSTOMER DRAWING              | SHEET<br>3 OF 4  | REV<br>2       |

THIS DRAWING IS UNPUBLISHED. RELEASED FOR PUBLICATION 20  
 © COPYRIGHT 20 BY - ALL RIGHTS RESERVED.

| REVISIONS |     |             |      |     |      |
|-----------|-----|-------------|------|-----|------|
| P         | LTR | DESCRIPTION | DATE | DWN | APVD |
| -         | -   | SEE SHEET 1 | -    | -   | -    |
|           |     |             |      |     |      |
|           |     |             |      |     |      |



DETAIL B  
SCALE 10:1



SEE DETAIL B

SECTION E-E  
SCALE 4:1

|  |             |                               |  |           |            |
|--|-------------|-------------------------------|--|-----------|------------|
| THIS DRAWING IS A CONTROLLED DOCUMENT. |             | DWN<br>ANDY.XIE<br>20MAY2016  | TE Connectivity  |           |            |
| DIMENSIONS:<br>mm                      |             | CHK<br>SEAN.HAN<br>20MAY2016  |  |           |            |
| TOLERANCES UNLESS OTHERWISE SPECIFIED: |             | APVD<br>SEAN.HAN<br>20MAY2016 | NAME<br>CAGE ASSEMBLY,CFP4 1X1<br>PRESS FIT,EMI SPRING |           |            |
| 0 PLC ±                                | 1 PLC ±0.25 | PRODUCT SPEC                  | SIZE   | CAGE CODE | DRAWING NO |
| 2 PLC ±0.15                            | 3 PLC ±0.10 | APPLICATION SPEC              | A2   | -         | C-2288227  |
| 4 PLC ±                                | ANGLES ±    | WEIGHT                        | SCALE  | SHEET     | REV        |
| MATERIAL                               | FINISH      | CUSTOMER DRAWING              | 4:1  | 4 OF 4    | 2          |